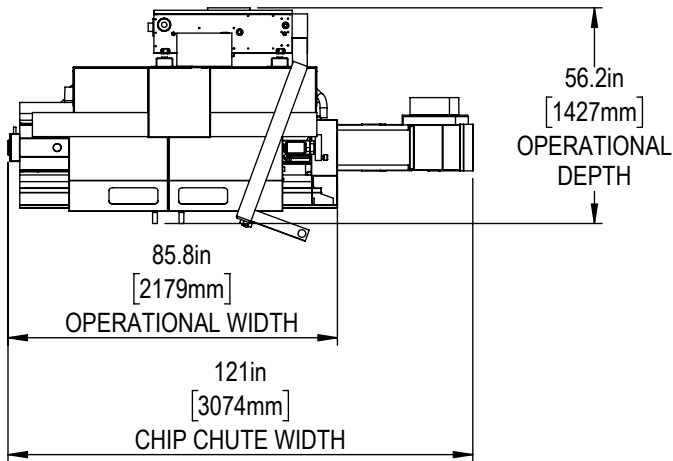
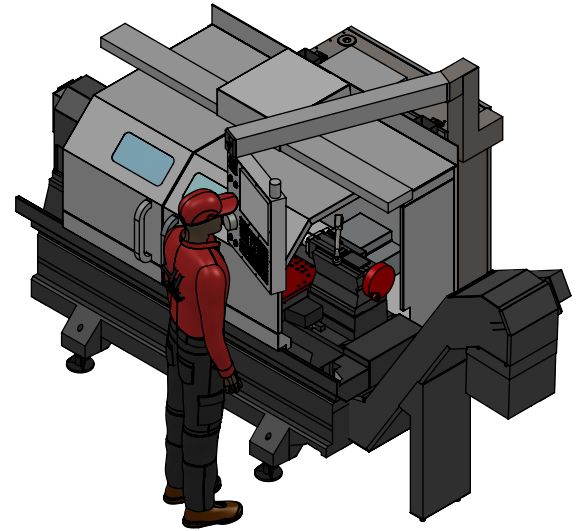
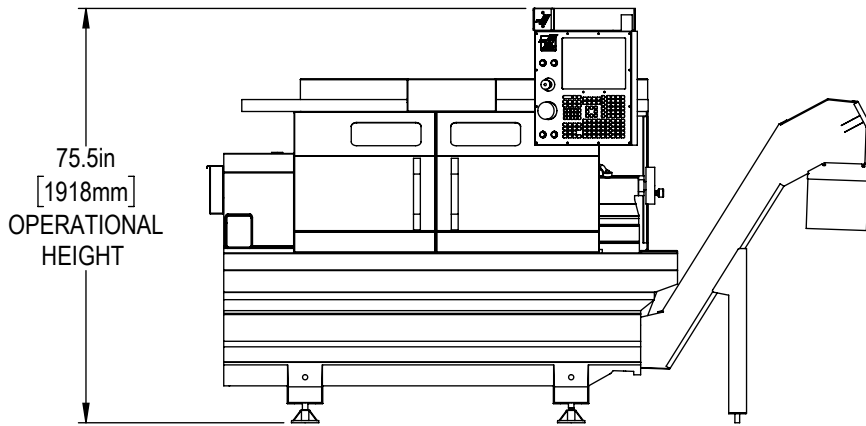
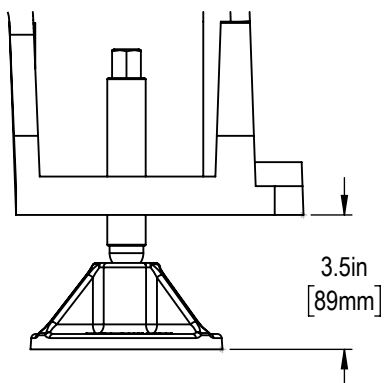


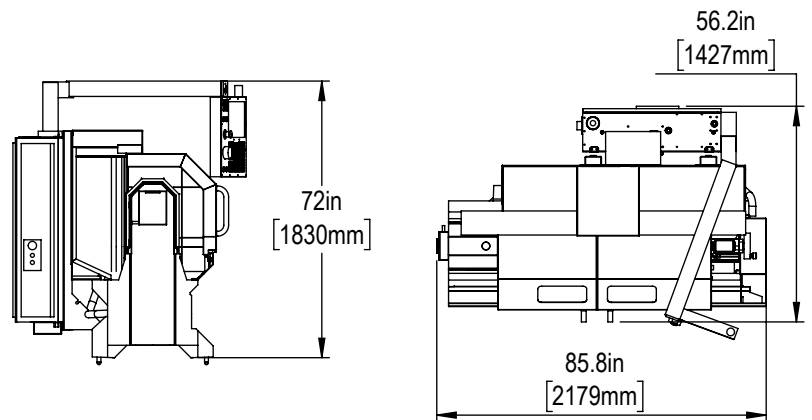
Installed Dimensions



Leveling Pad Height

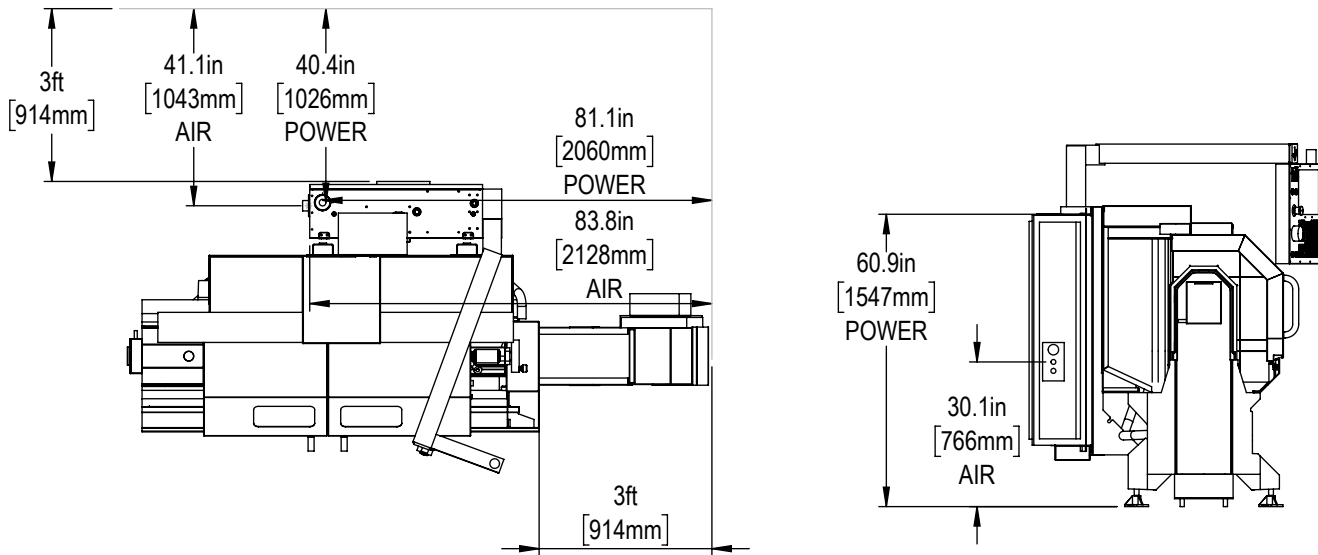


Shipping Dimensions

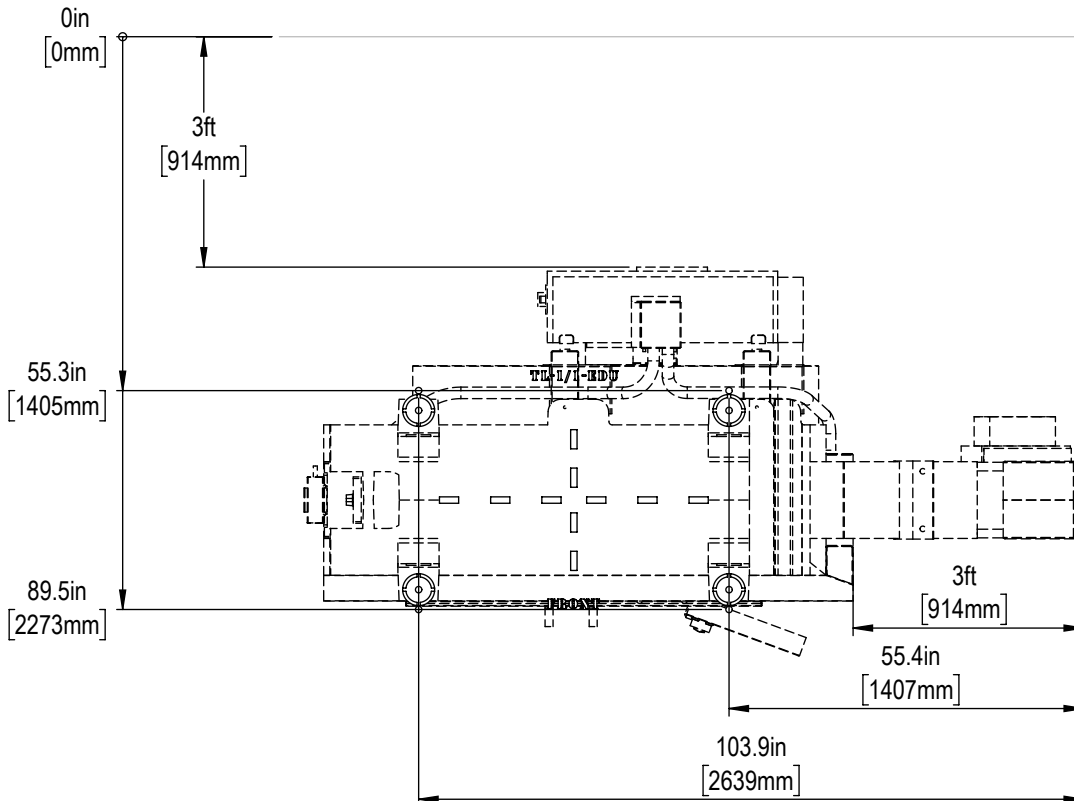


*All Height Dimensions Based on Suggested Leveling Pad Height

Air & Power

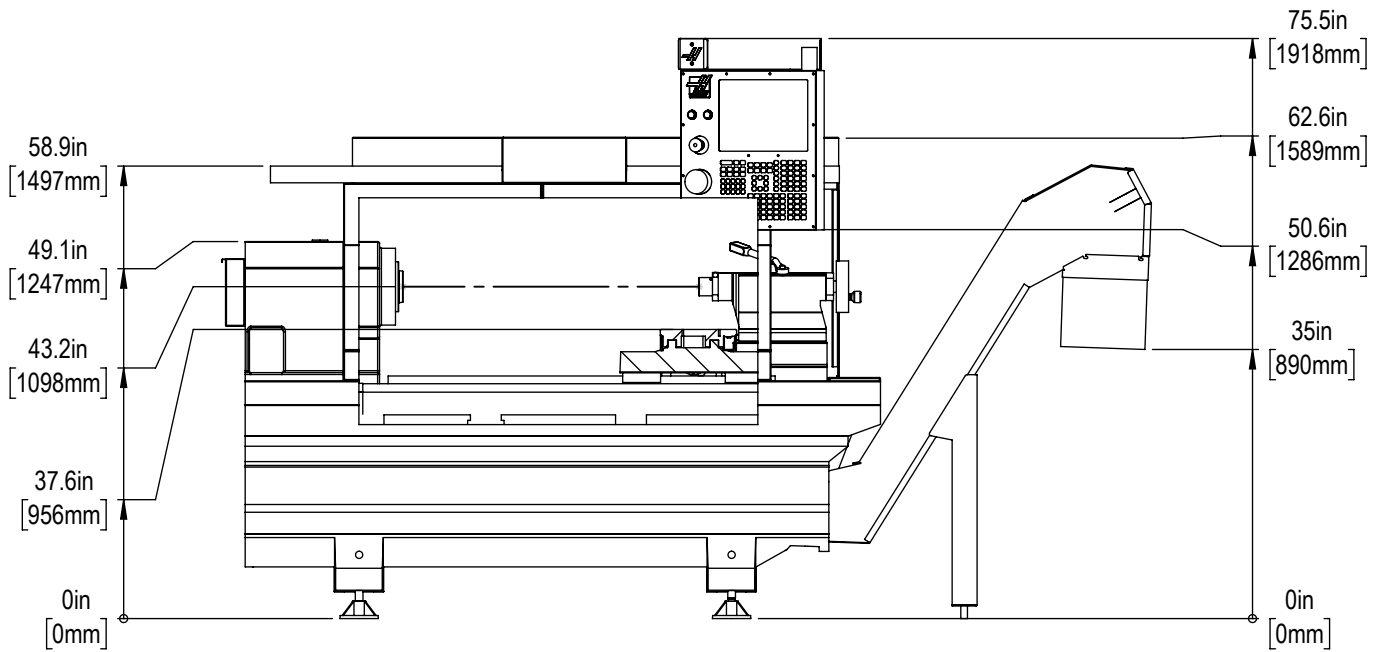


Anchor Pattern

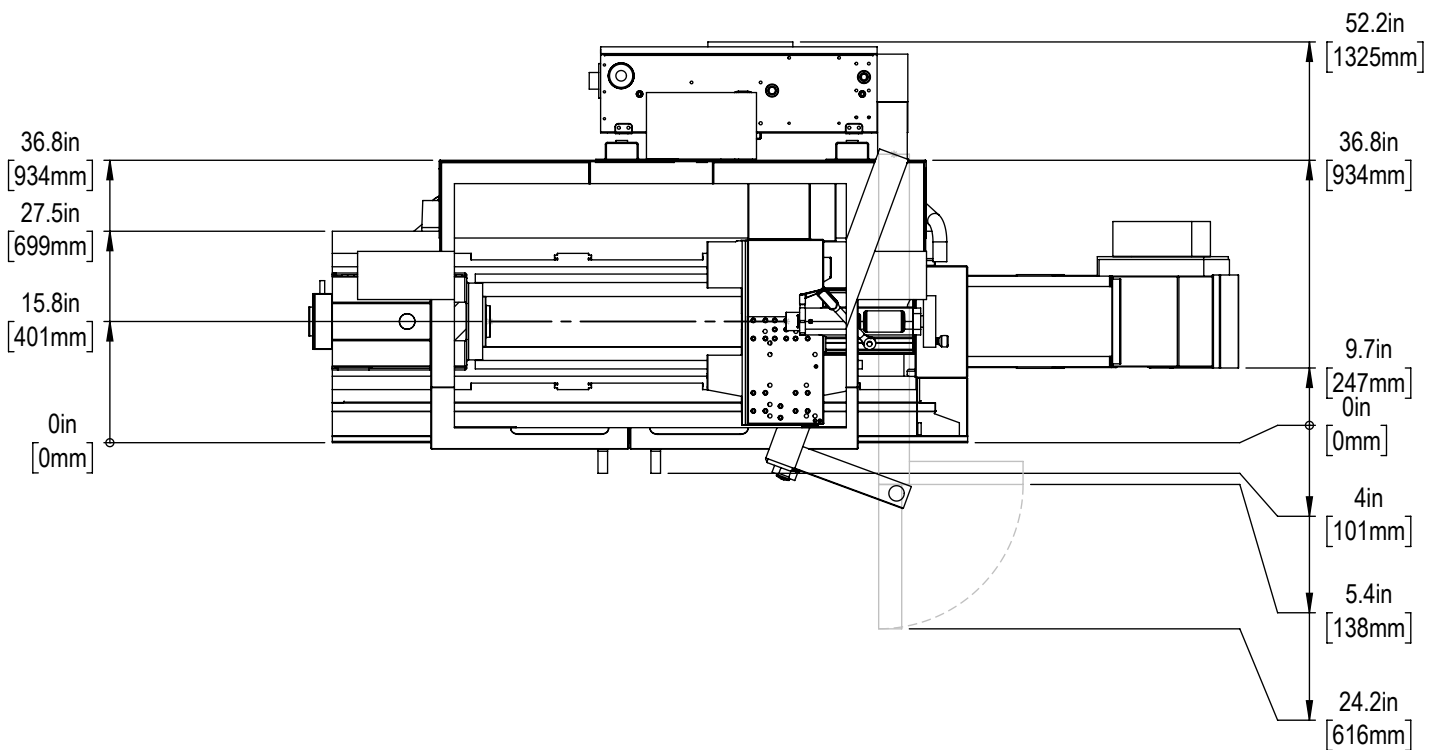




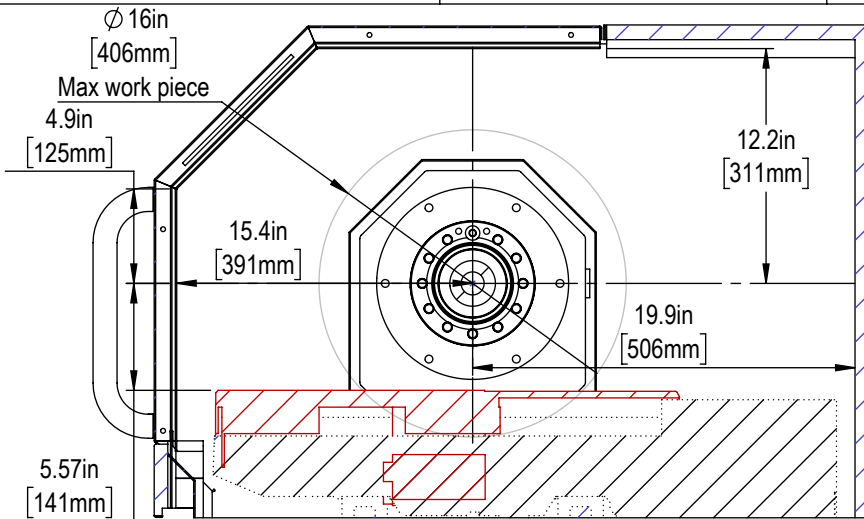
Height Breakdown



Width Breakdown

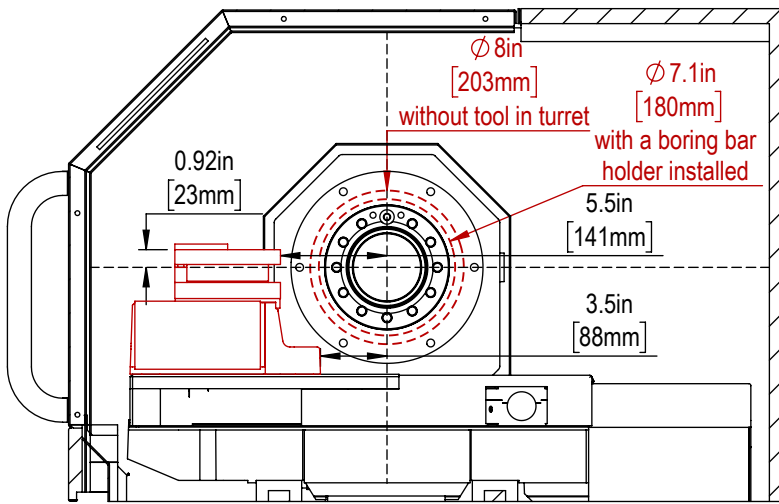
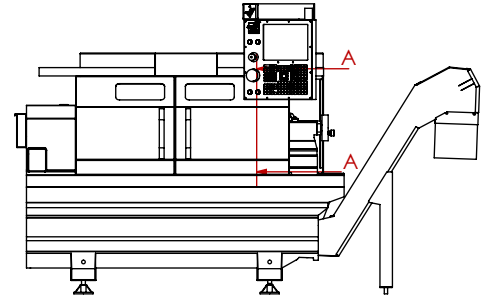


Maintain 3 feet [915mm] clearance to the nearest obstruction around all sides of machine perimeter for maintenance access



SECTION A-A

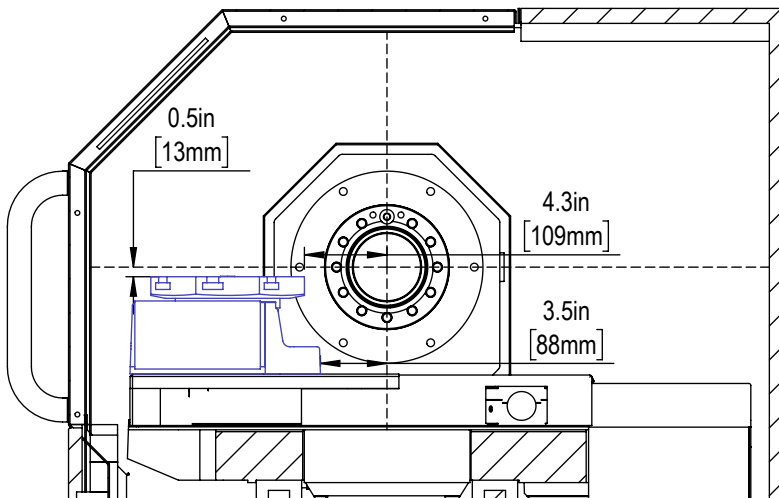
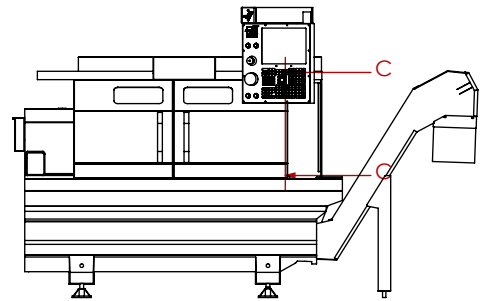
SCALE 1 : 10



SECTION C-C

SCALE 1 : 10

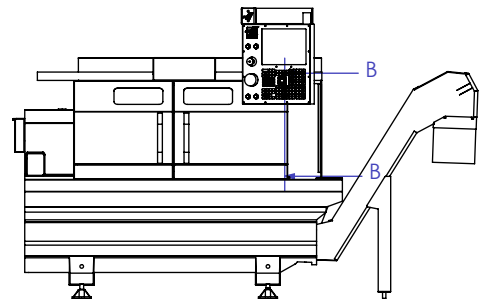
4-Station Tool Turret

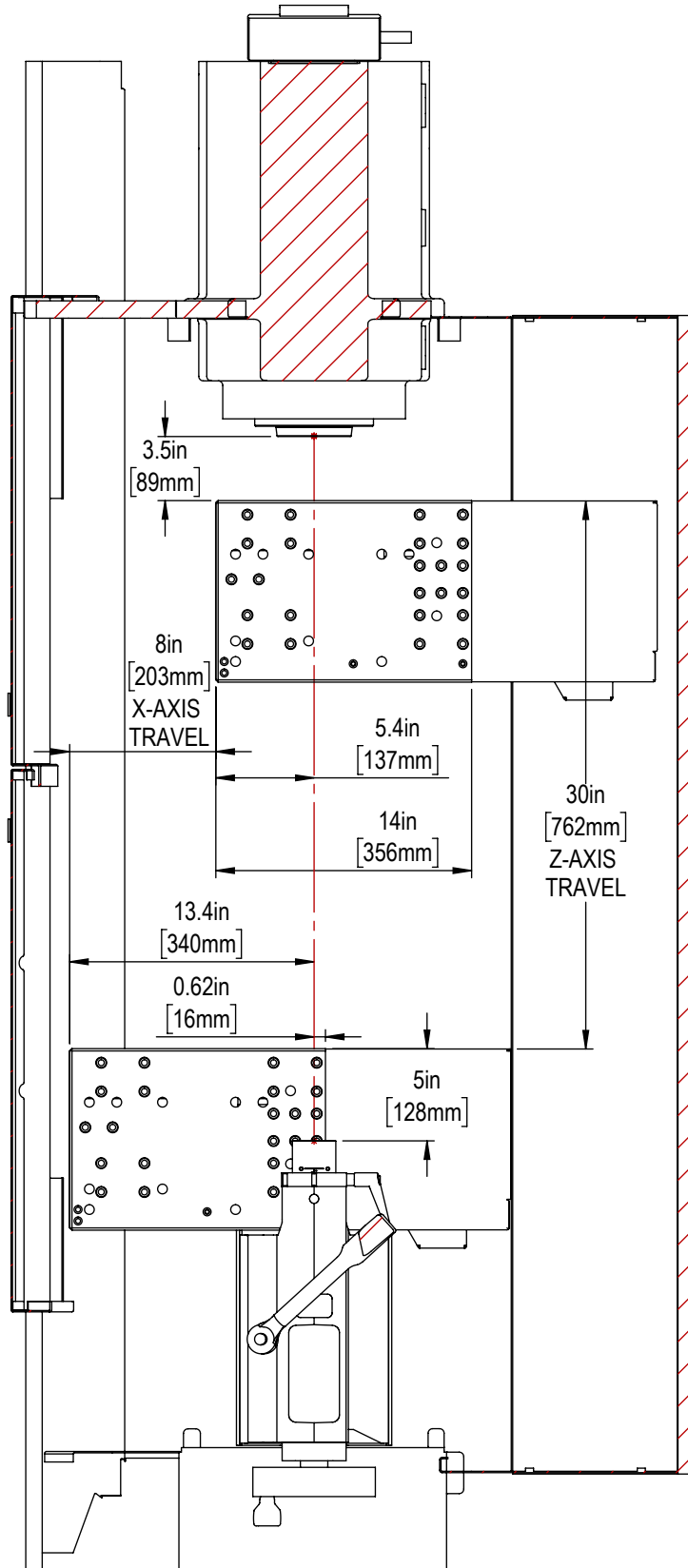


SECTION B-B

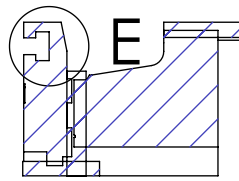
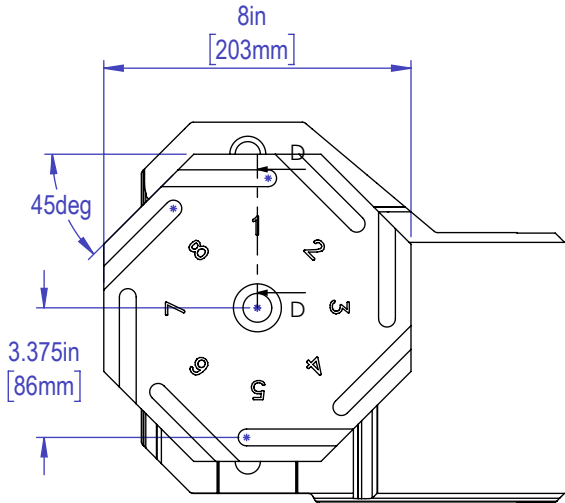
SCALE 1 : 10

8-Station Tool Turret

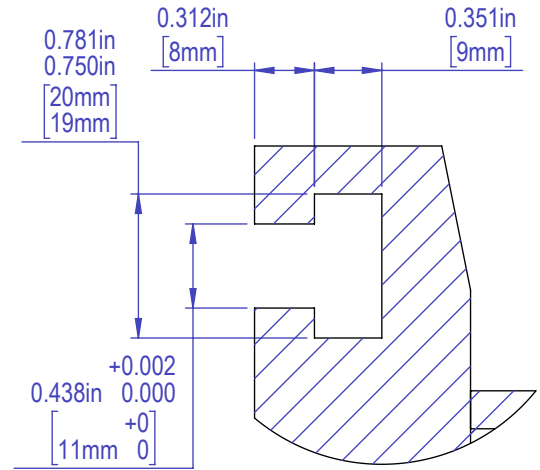




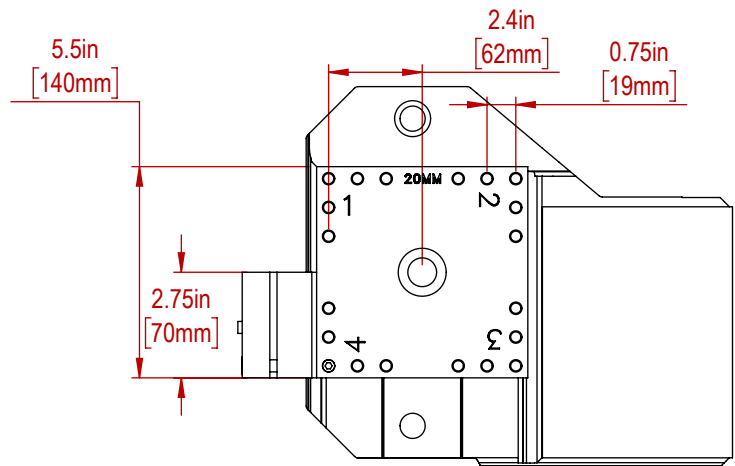
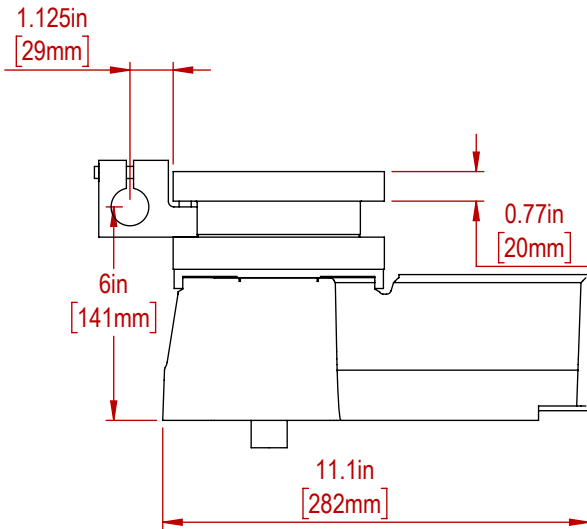
SECTION F-F
SCALE 1 : 10



SECTION D-D
SCALE 1 : 5



DETAIL E
SCALE 1 : 1



$\varnothing 0.268\text{in} [7\text{mm}] \nabla 0.8\text{in} [20\text{mm}]$
M8x1.25 - 6H $\nabla 0.8\text{in} [19\text{mm}]$

$\varnothing 0.257\text{in} [7\text{mm}] \nabla 0.8\text{in} [20\text{mm}]$
5/16-18 UNC $\nabla 0.8\text{in} [19\text{mm}]$

