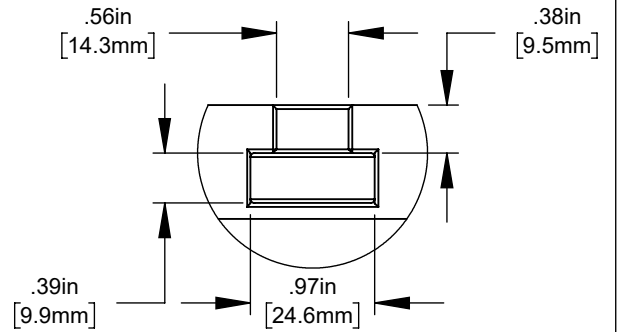
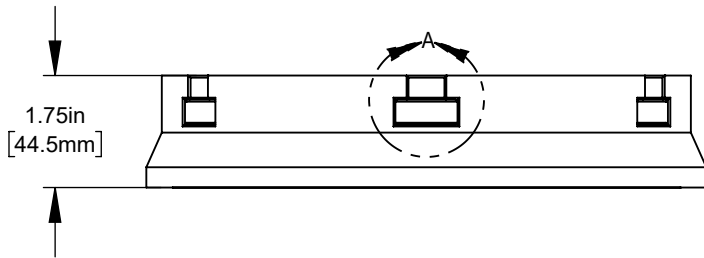
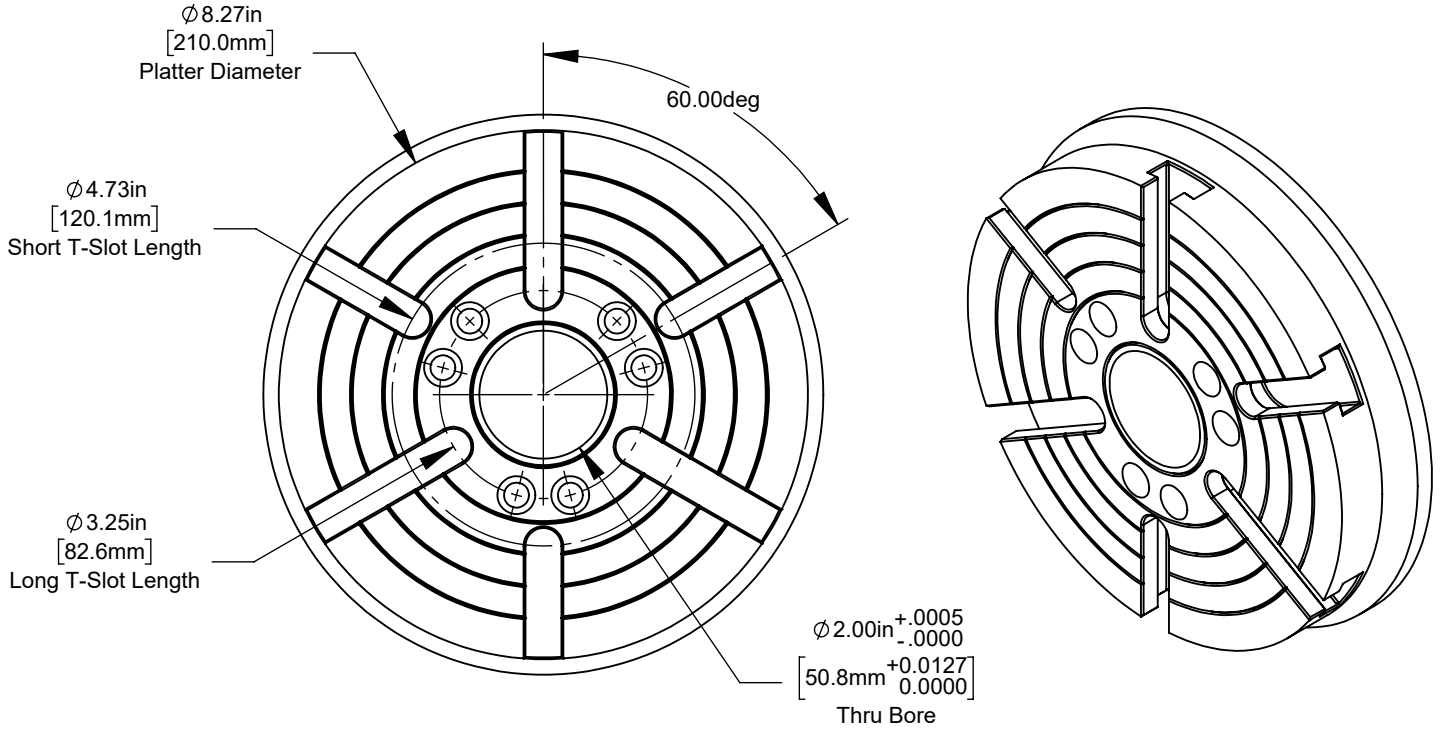


All dimensions based on stackup of sheetmetal, subject to variation of 1/2" ( 13 mm)



**DETAIL A**  
**SCALE 2 : 3**