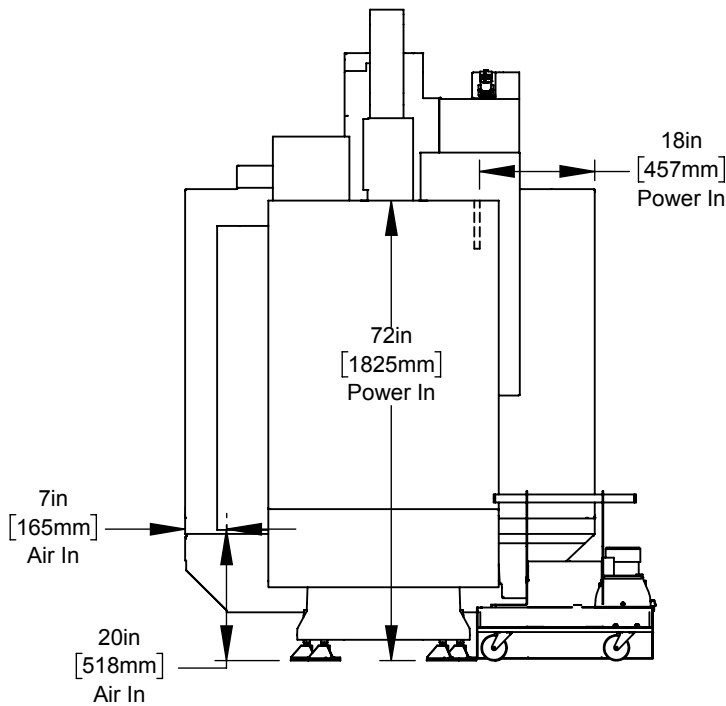


All dimensions based on stackup of sheetmetal, subject to variation of 1/2" (13 mm)
**Add 4" (101.6mm) for EC4 (Extended Clearance Option)

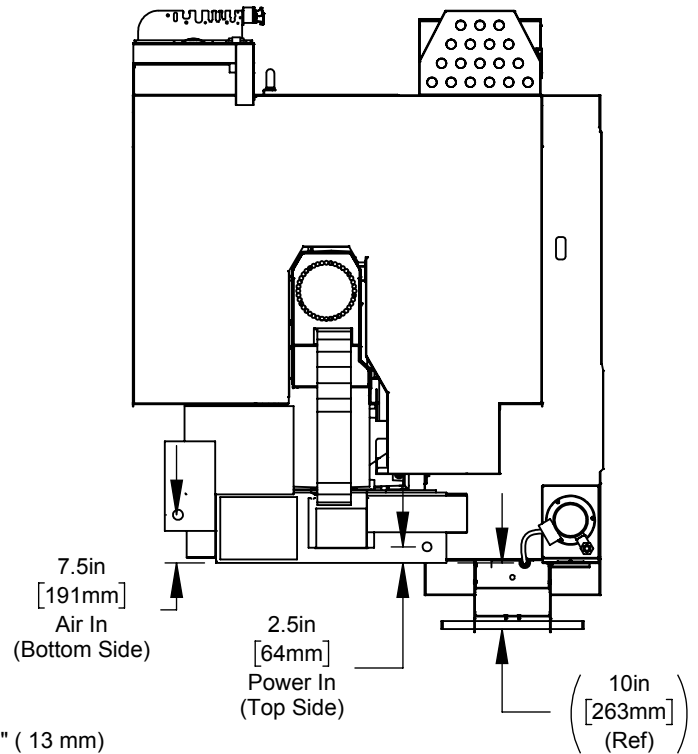
*Due to continual product improvements, machine dimensions are subject to change without notice.

Air & Power

Back View

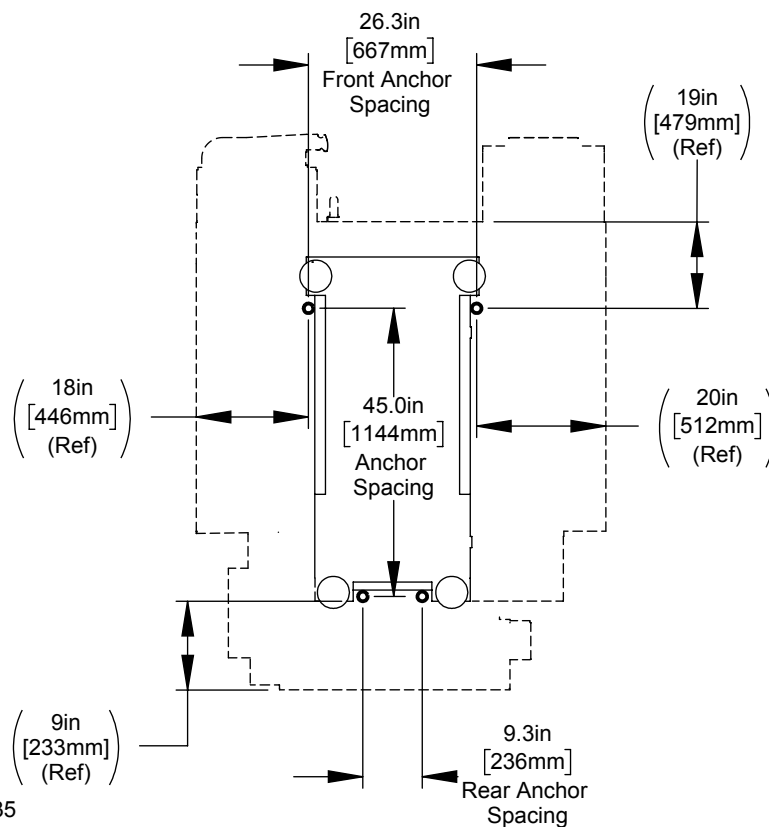


TopView

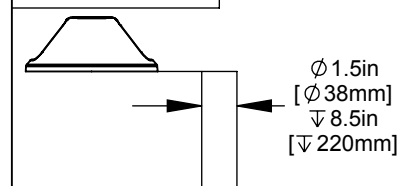


All dimensions based on stackup of sheetmetal, subject to variation of 1/2" (13 mm)

Anchor Pattern



Anchor Hole Detail

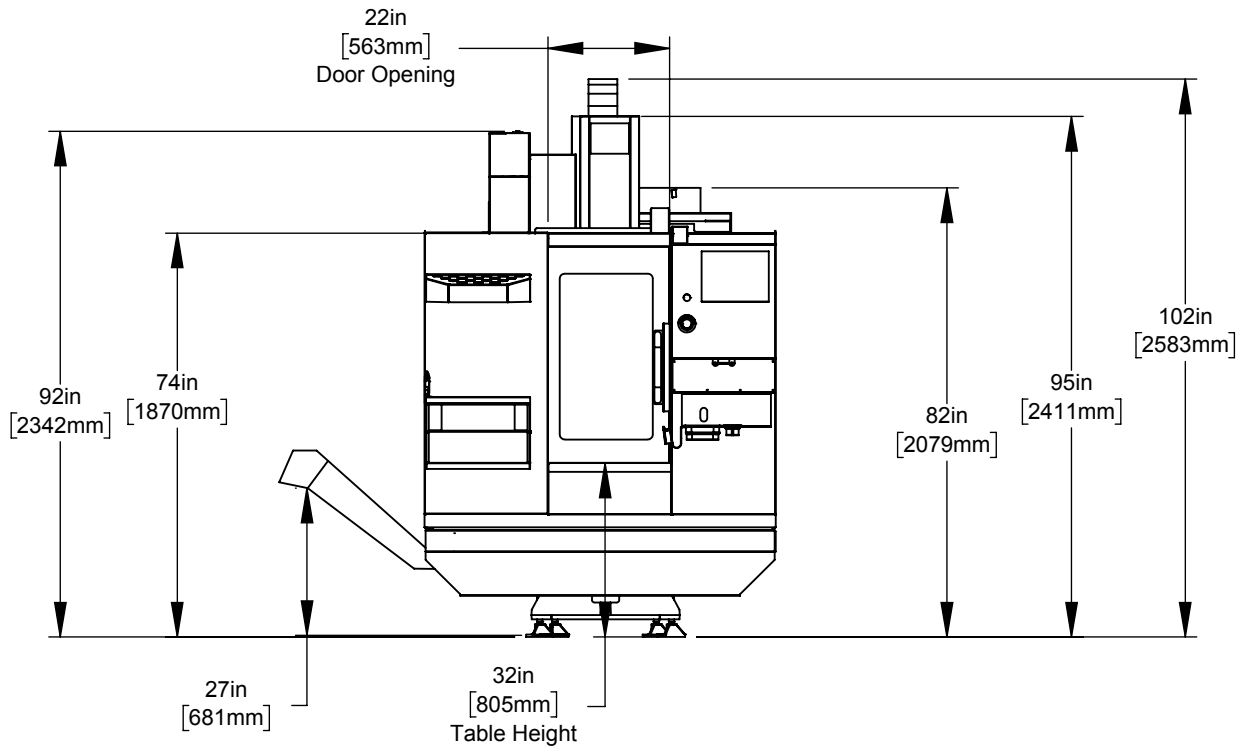


For use with Anchor Kit # 30-4535

*Applies to DT/DM machines built from July 2018 and newer

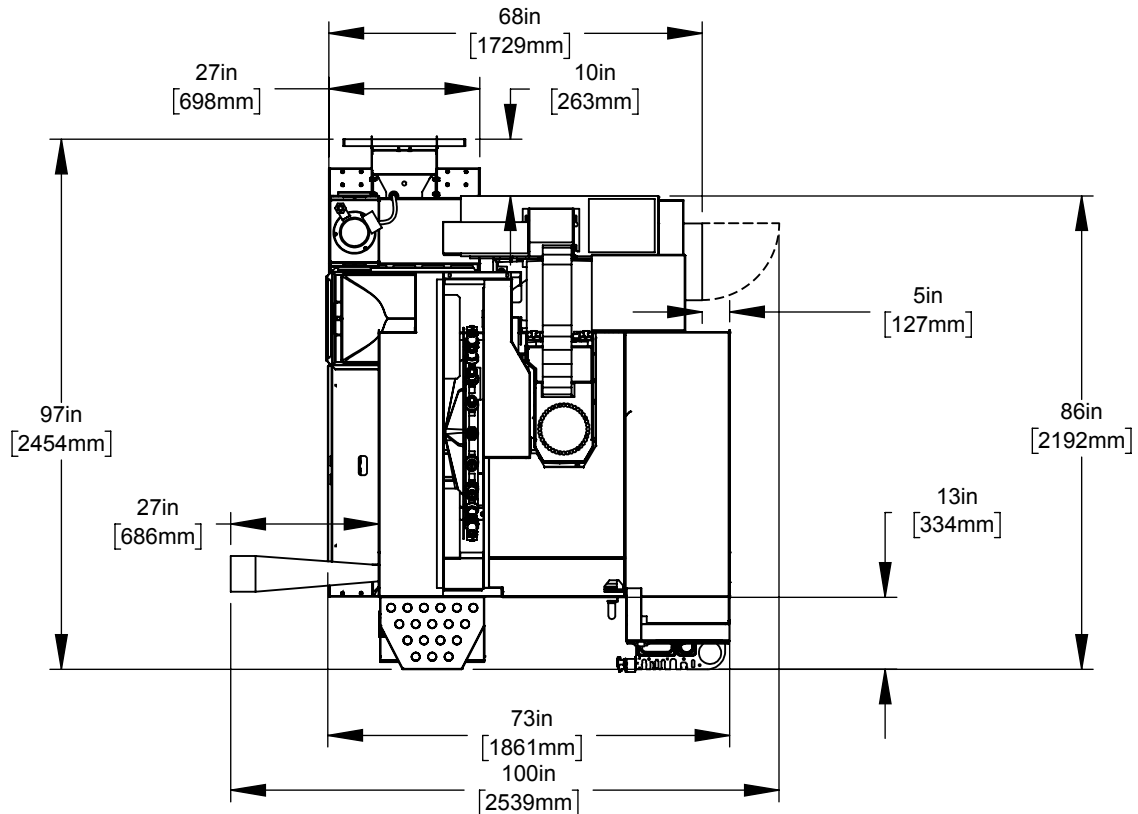
*Due to continual product improvements, machine dimensions are subject to change without notice.

Height Breakdown**



All dimensions based on stackup of sheetmetal, subject to variation of 1/2" (13 mm)
**Add 4" (101.6mm) for EC4 (Extended Clearance Option)

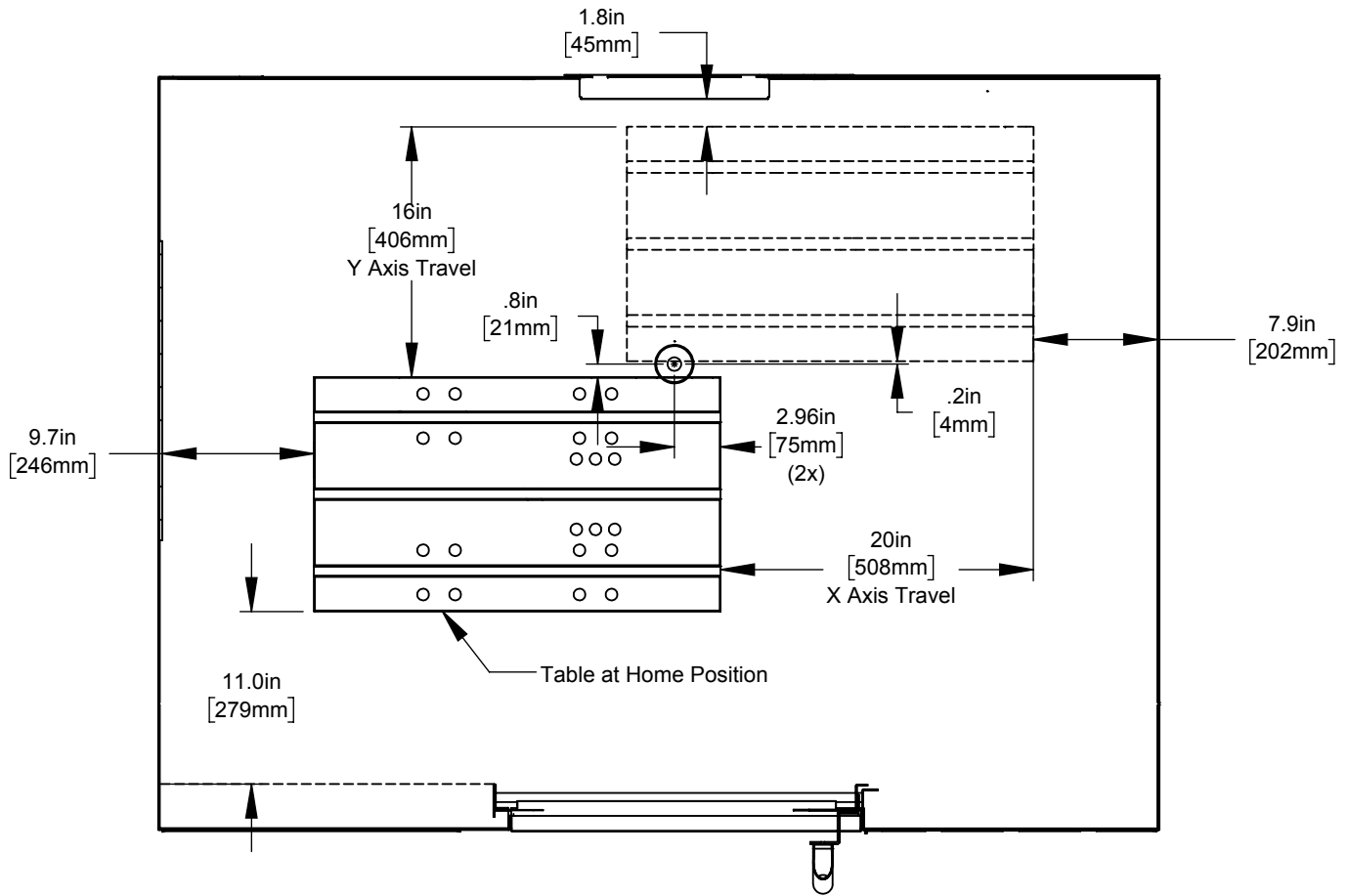
Width Breakdown



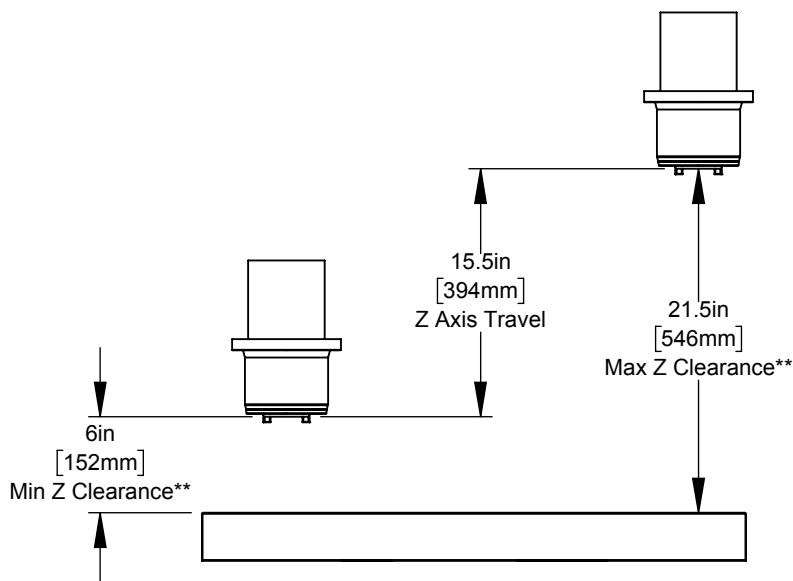
All dimensions based on stackup of sheetmetal, subject to variation of 1/2" (13 mm)

*Due to continual product improvements, machine dimensions are subject to change without notice.

X&Y-Axis Clearance

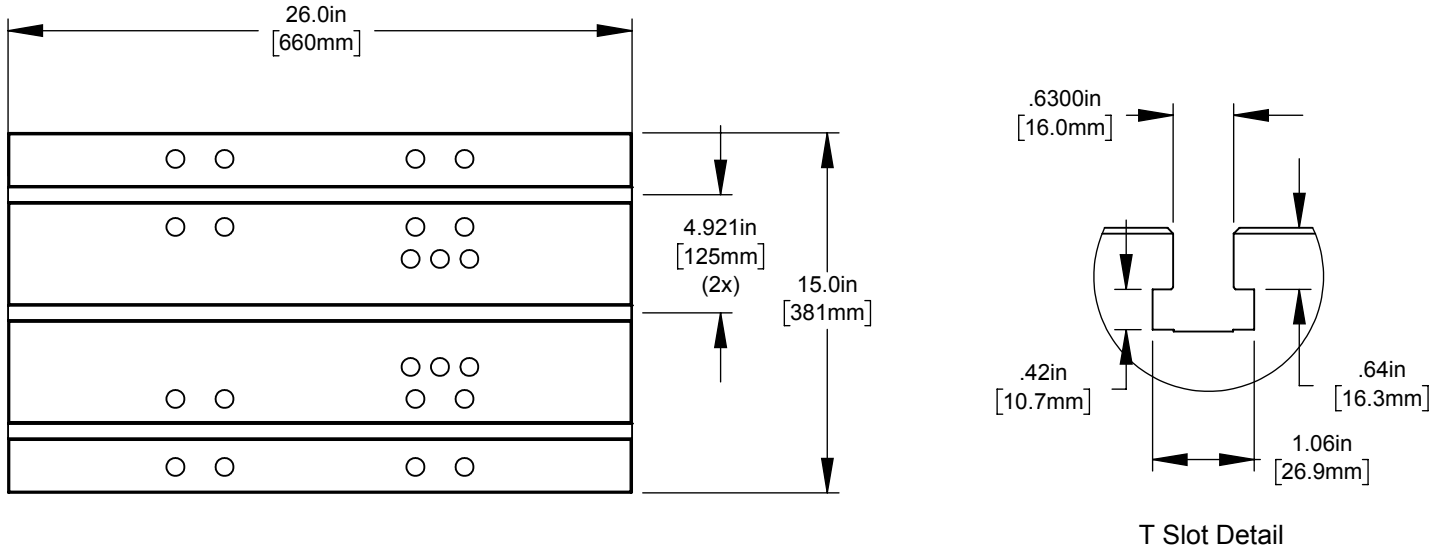


Z-Axis Clearance**

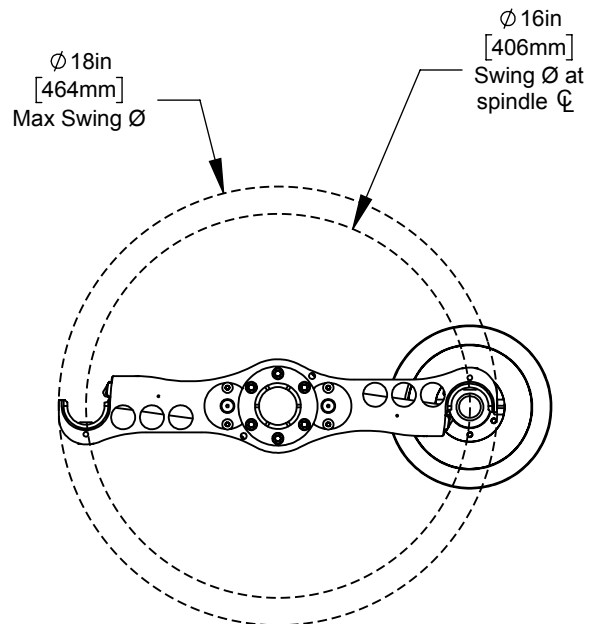
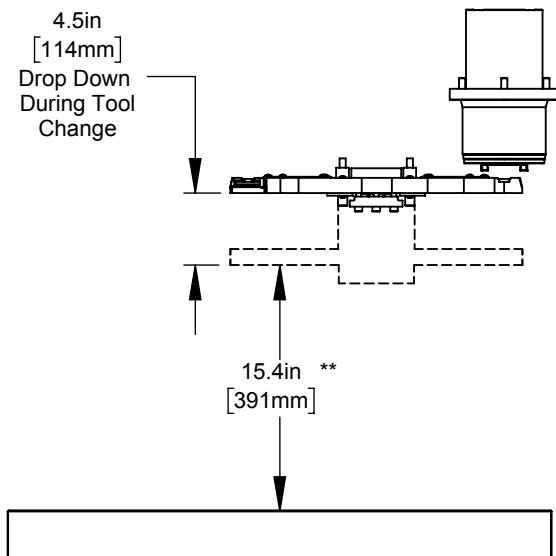


**Add 4" (101.6mm) for EC4 (Extended Clearance Option)

Table



Tool Changer



**Add 4" (101.6mm) for EC4 (Extended Clearance Option)