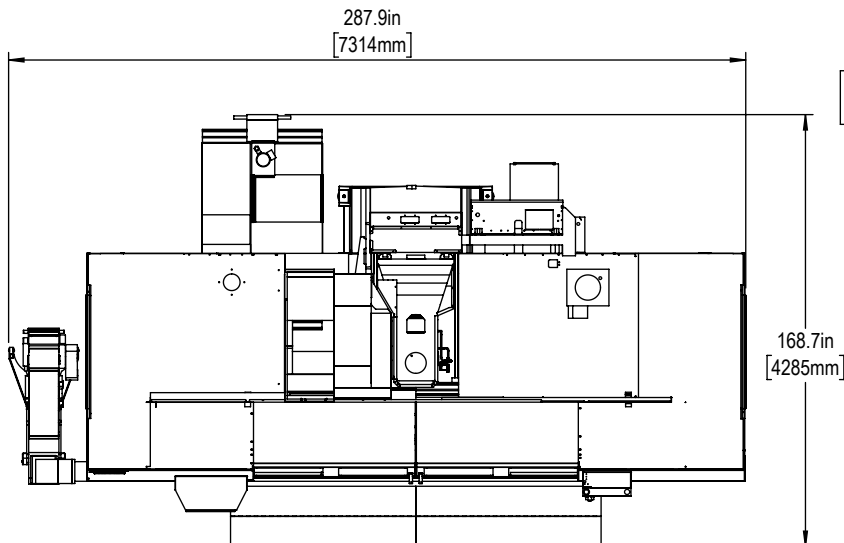
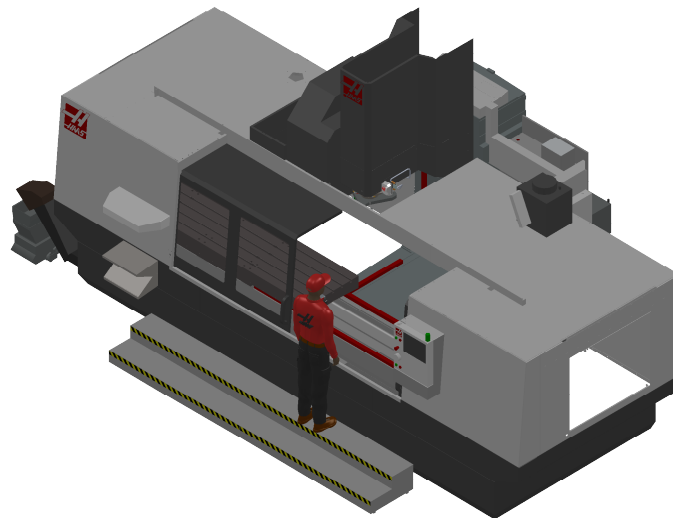
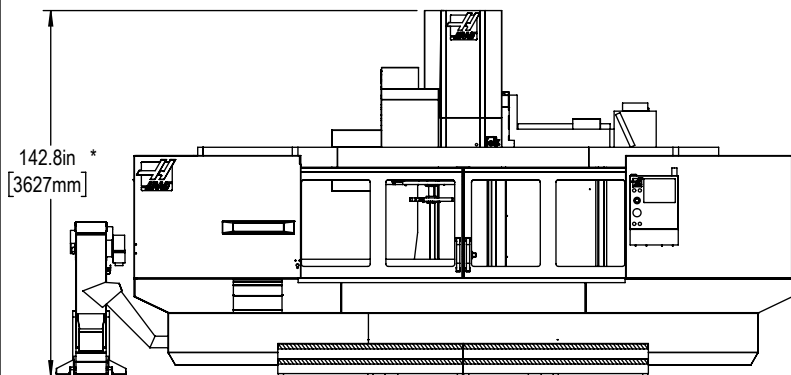


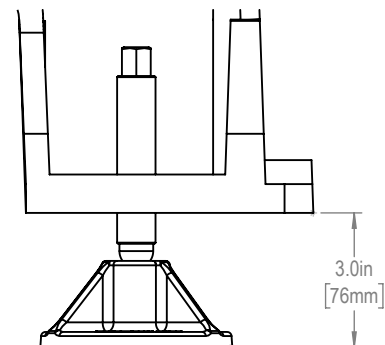


Installed Dimensions



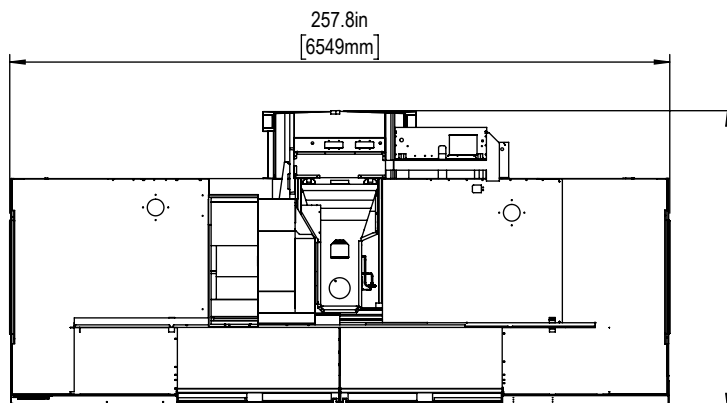
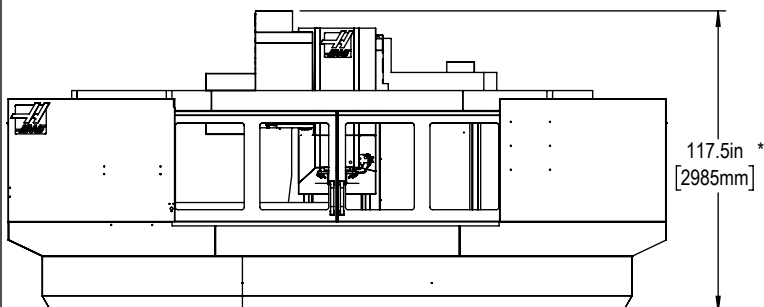
NOTE: 8" EXTENDED Z-AXIS CLEARANCE OPTION ADDS 8" (203mm) TO DIMENSIONS WITH *

Leveling Pad Height

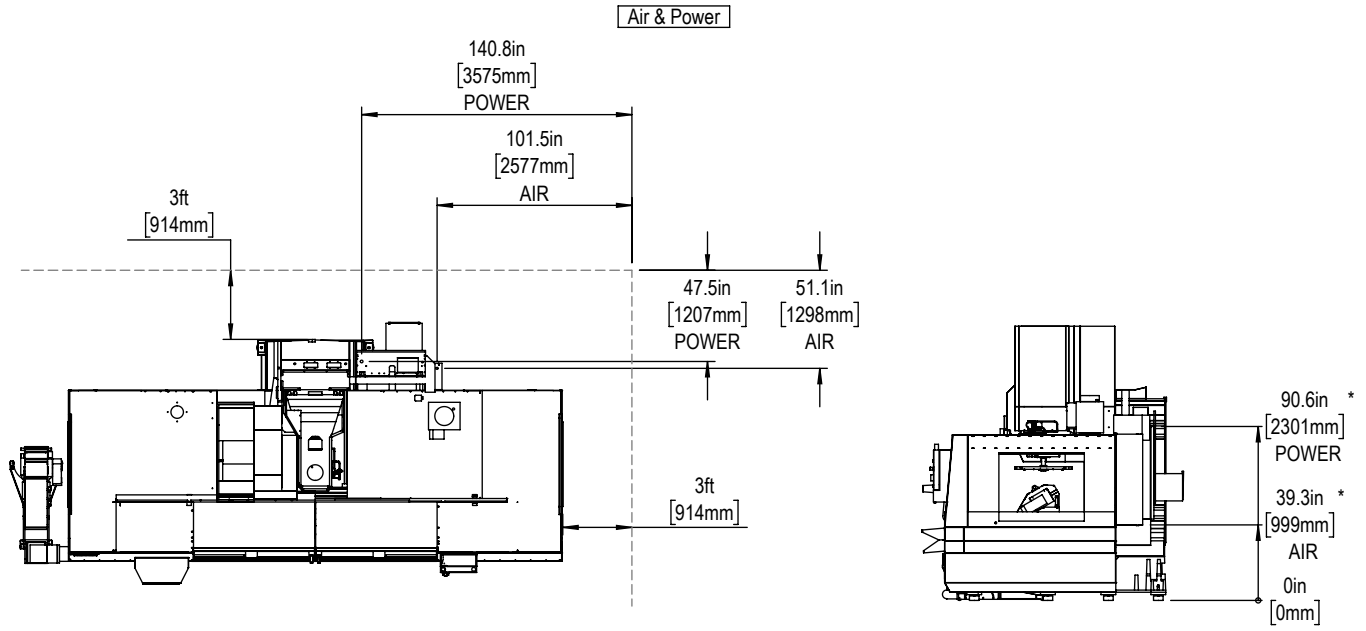


*All Height Dimensions Based on Suggested Leveling Pad Height

Shipping Dimensions



116.4in
[2958mm]



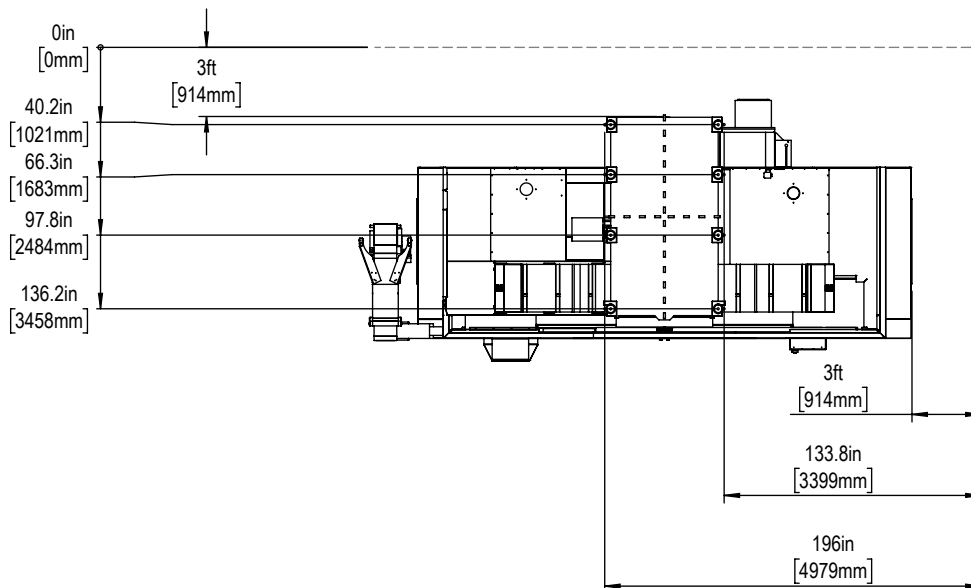
Maintain 3 feet [915mm] clearance to the nearest obstruction around all sides of machine perimeter for maintenance access

Note:
Machine must be placed on one continous concrete slab. Slab should extend 12in [305mm] beyond anchor holes in all directions

Anchor Pattern
For machines built before Oct. 2023

Anchor Hole Detail
Ø 5/8in [15.8mm]
▽ 2.0in [51mm]-
▽ 2.5in [64mm]

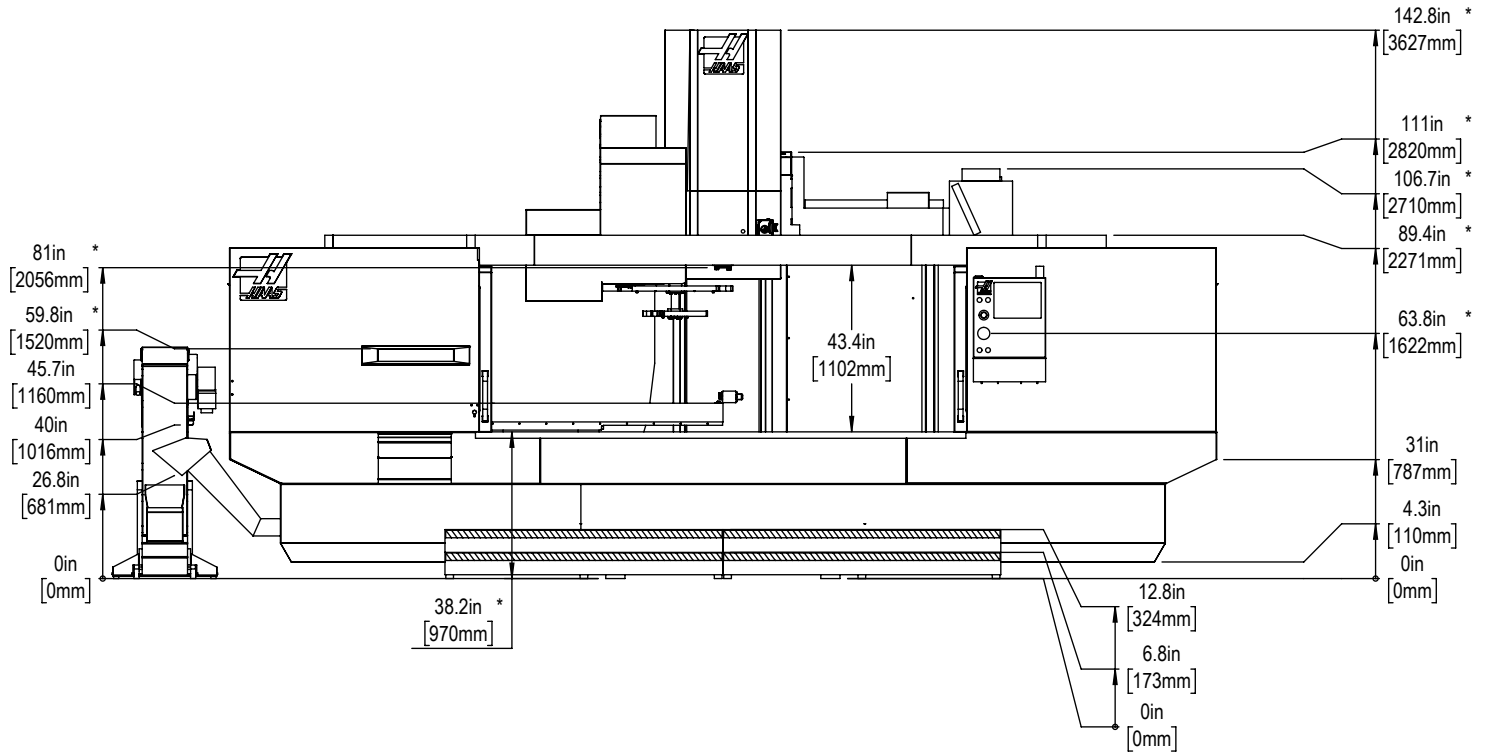
NOTE: For machines built after Oct. 2023, see separate Anchoring Template.



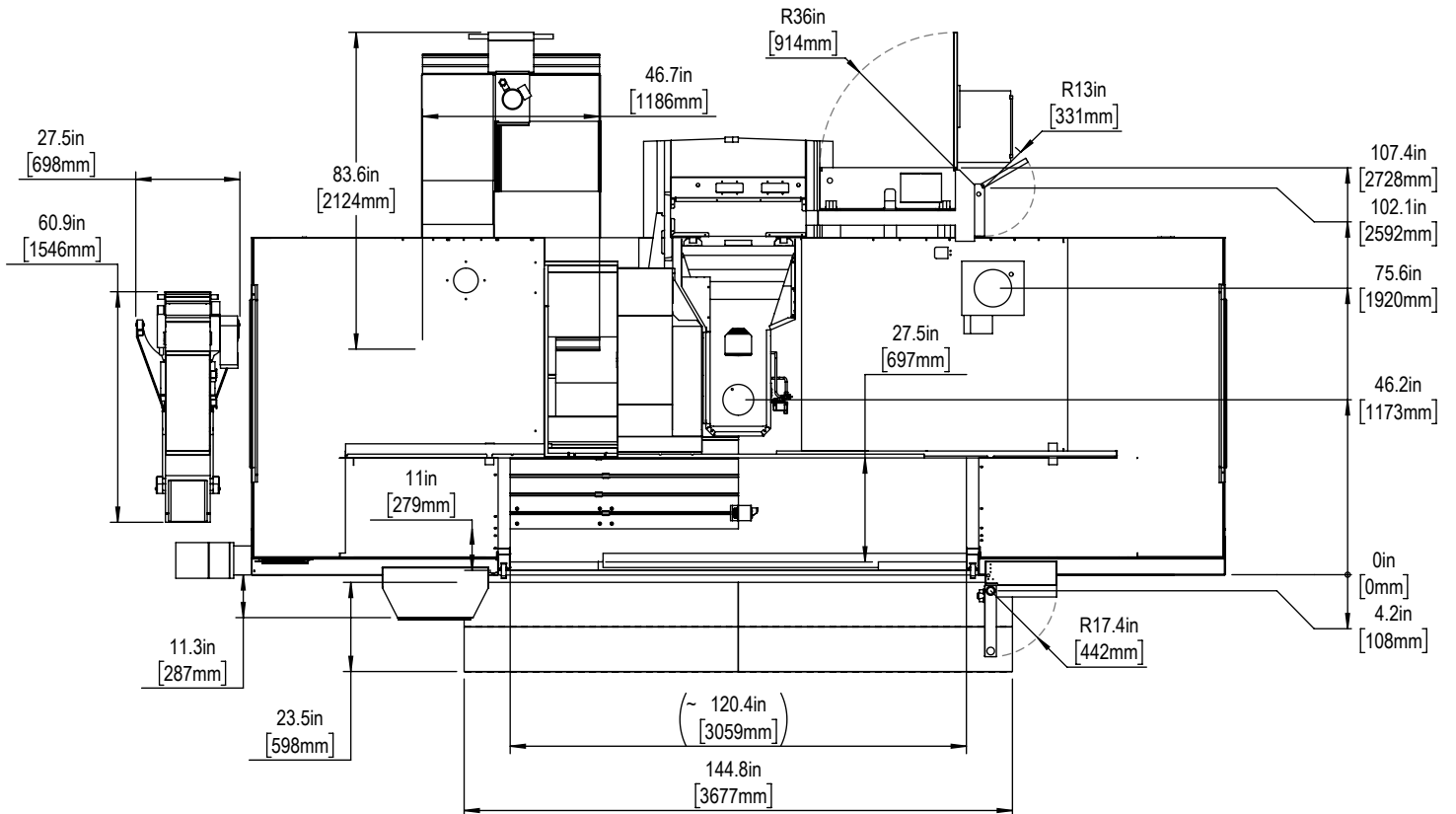
For precise locations and specifications please use template in Anchoring Kit found at Haascnc.com



Height Breakdown

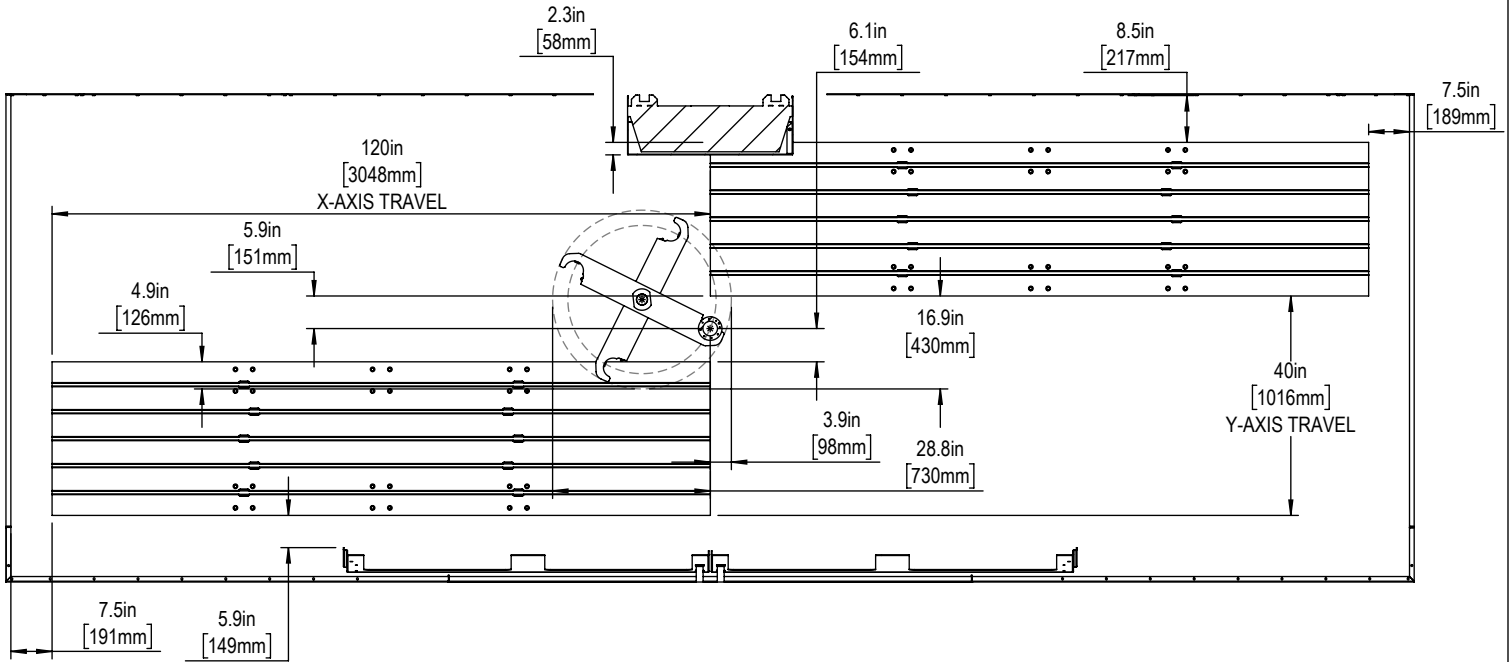


Width Breakdown

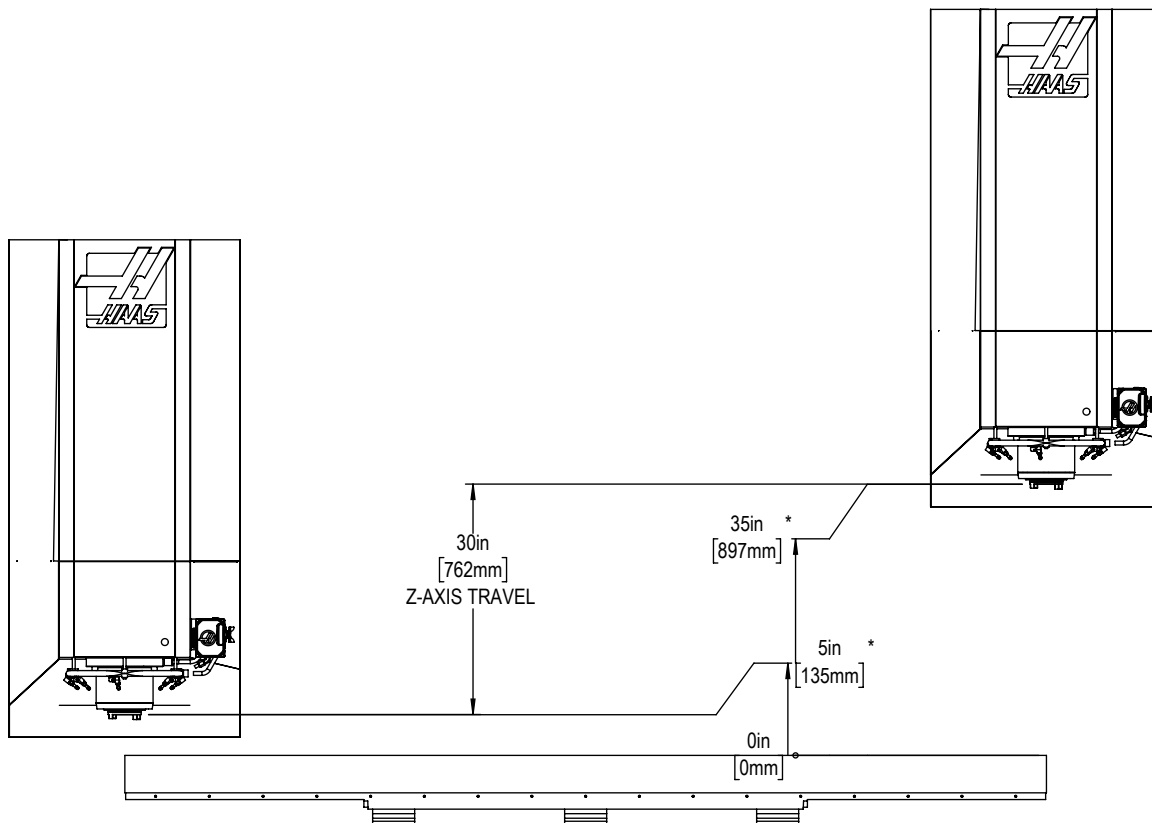




X&Y-Axis Travel and Clearance

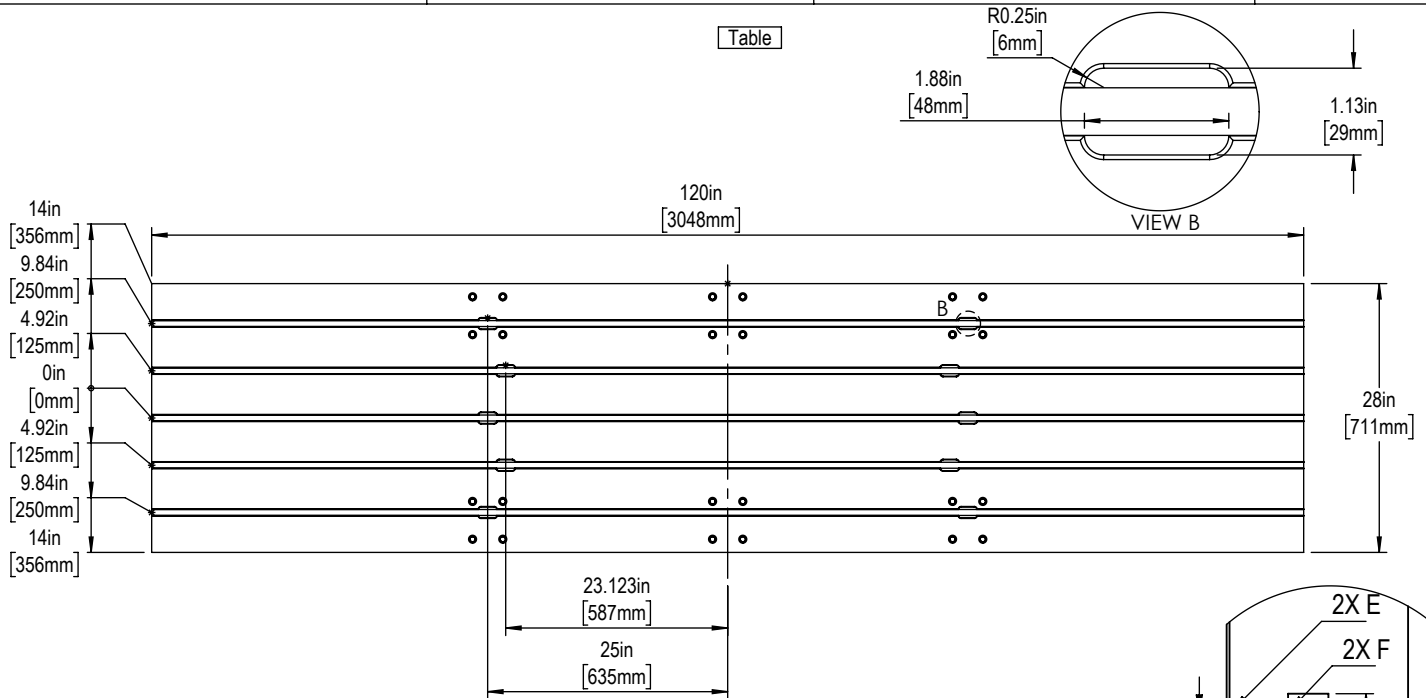


Z-AXIS TRAVEL & CLEARANCE

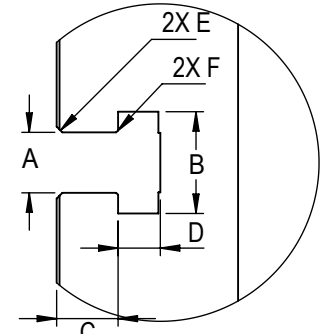




Table



Slot Size	A	B	C	D	E	F
12mm	$0.438^{+0.002}_{-0.000}$	0.76 ± 0.02	0.310 ± 0.010	0.318 ± 0.010	$0.03 \times 45^\circ$	$0.020 \times 45^\circ$
16mm	0.628 ± 0.002	1.06 ± 0.02	0.640 ± 0.010	0.420 ± 0.010	$0.06 \times 45^\circ$	$0.020 \times 45^\circ$



Tool Changer

