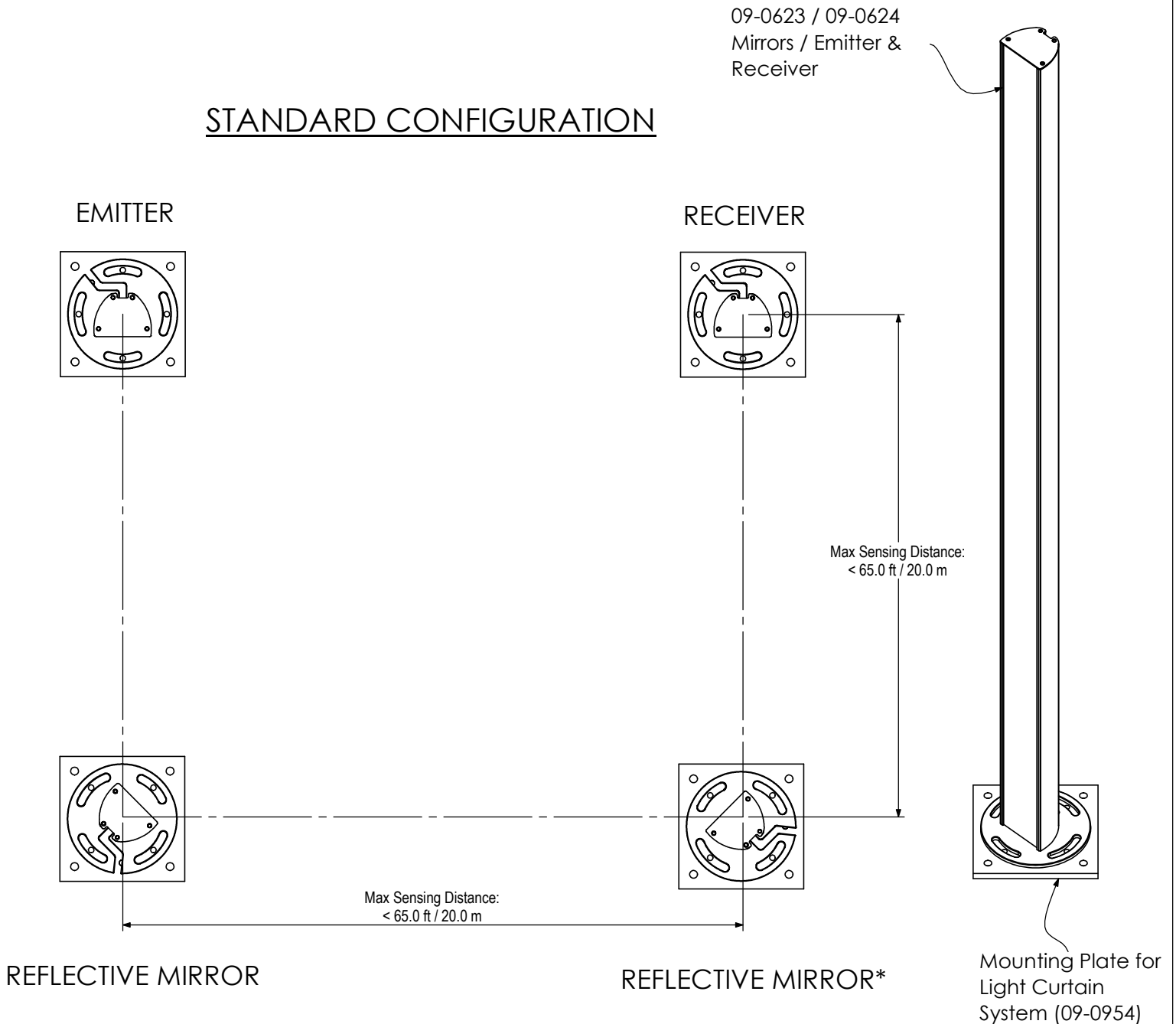


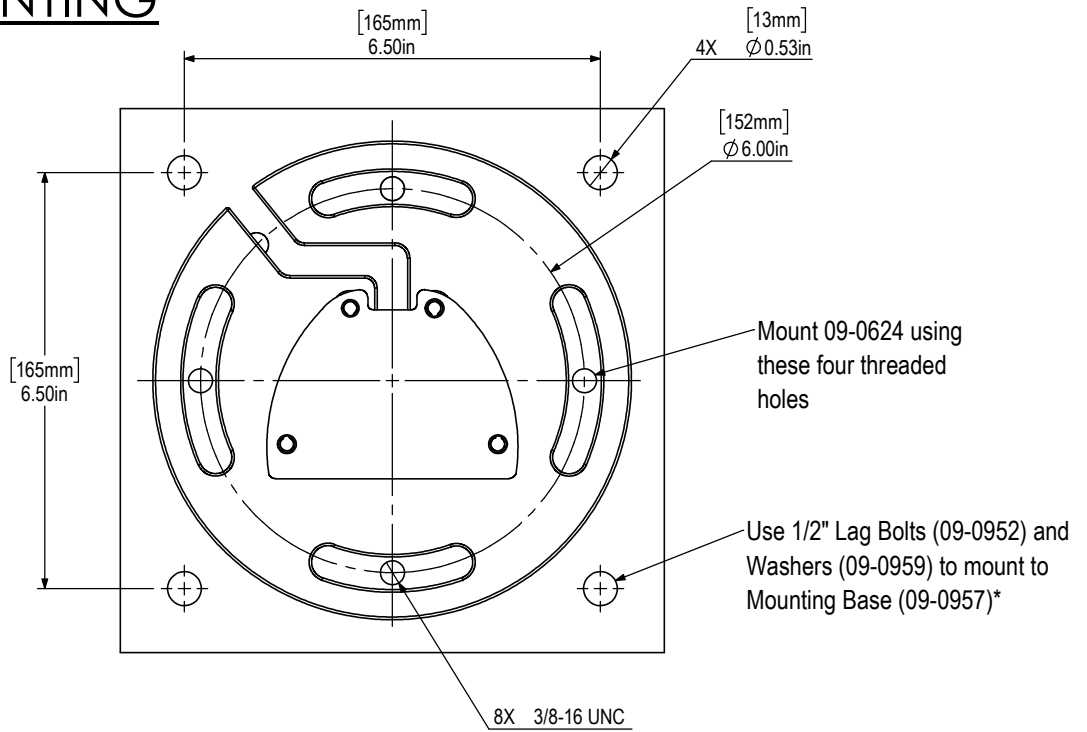
LIGHT CURTAINS CAN BE MOUNTED AND CONFIGURED IN ANY VARIATION AS LONG AS THE BEAM FROM THE EMITTER REACHES THE RECEIVER; HOWEVER, THE STANDARD CONFIGURATION IS THE LIGHT CURTAIN EMITTER AND RECEIVER (09-0624) AND TWO REFLECTIVE MIRRORS (09-0623). ENSURE LIGHT CURTAINS ARE INSTALLED IN A POSITION THAT DOES NOT INTERFERE WITH HAAS PENDANT

STANDARD CONFIGURATION



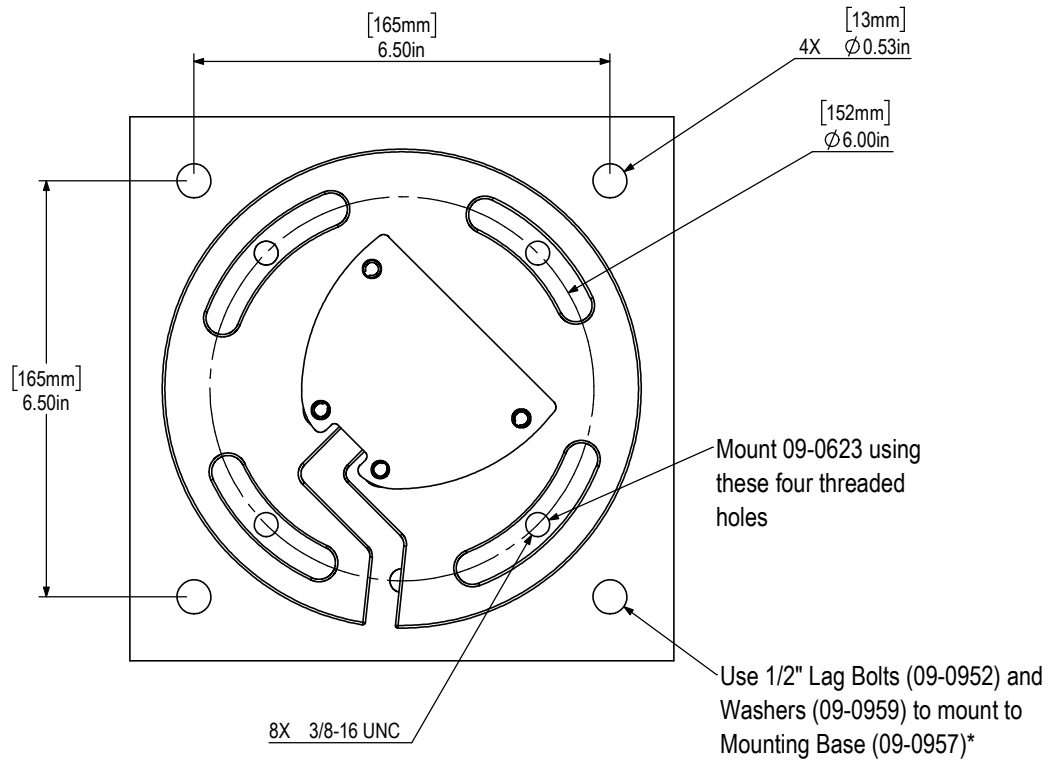
*FOR ALIGNING EACH POST, REFER TO LIGHT CURTAIN INSTALLATION GUIDE

09-0624 MOUNTING



*IF NOT USING MOUNTING BASE (09-0957), SELECT THE APPROPRIATE HARDWARE TAILORED TO YOUR SPECIFIC MOUNTING SURFACE

09-0623 MOUNTING



*IF NOT USING MOUNTING BASE (09-0957), SELECT THE APPROPRIATE HARDWARE TAILORED TO YOUR SPECIFIC MOUNTING SURFACE