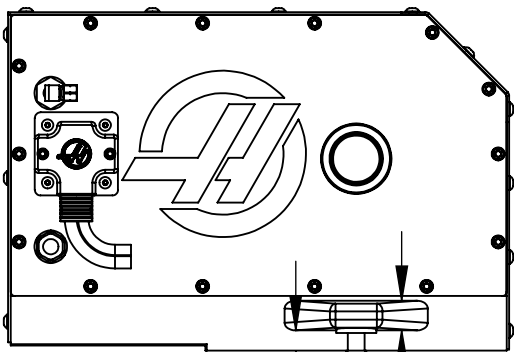


.23in
[5.7mm]
Locating Key

2.75in
[69.8mm]
Locating Key

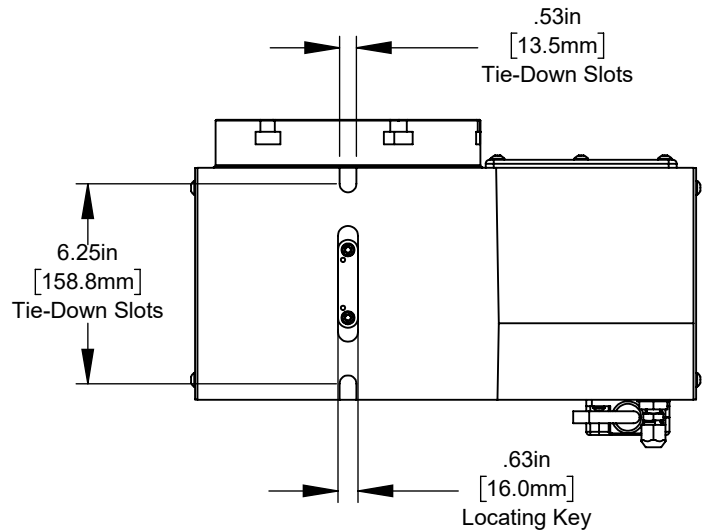
$\varnothing 2.00in^{+.0005}_{-.0000}$
[50.8mm^{+0.013}_{0.000}]
▽ 2.50in
[63.5mm]
Pilot Bore

$\varnothing 1.45in^{+.000}_{-.005}$
[36.8mm_{0.127}]
Thru Bore



.63in
[16.1mm]

.93in
[23.5mm]

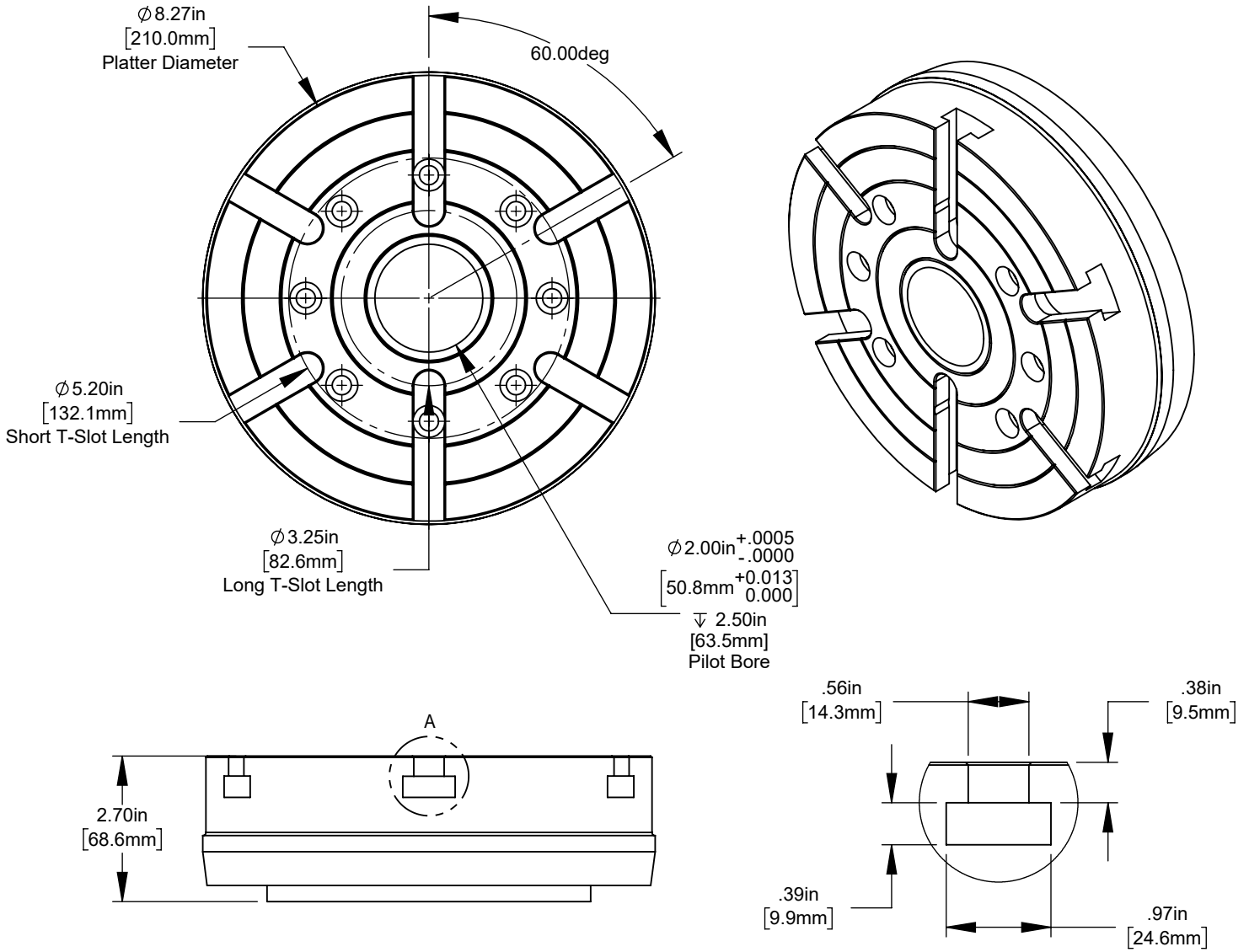


.53in
[13.5mm]
Tie-Down Slots

6.25in
[158.8mm]
Tie-Down Slots

.63in
[16.0mm]
Locating Key

All dimensions based on stackup of sheetmetal, subject to variation of 1/2" (13 mm)



DETAIL A
SCALE 2 : 3