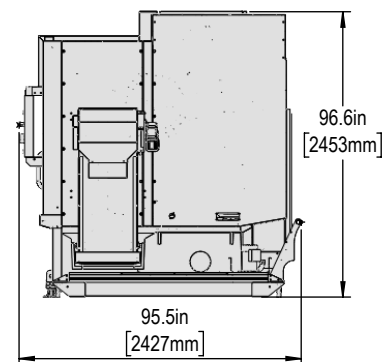
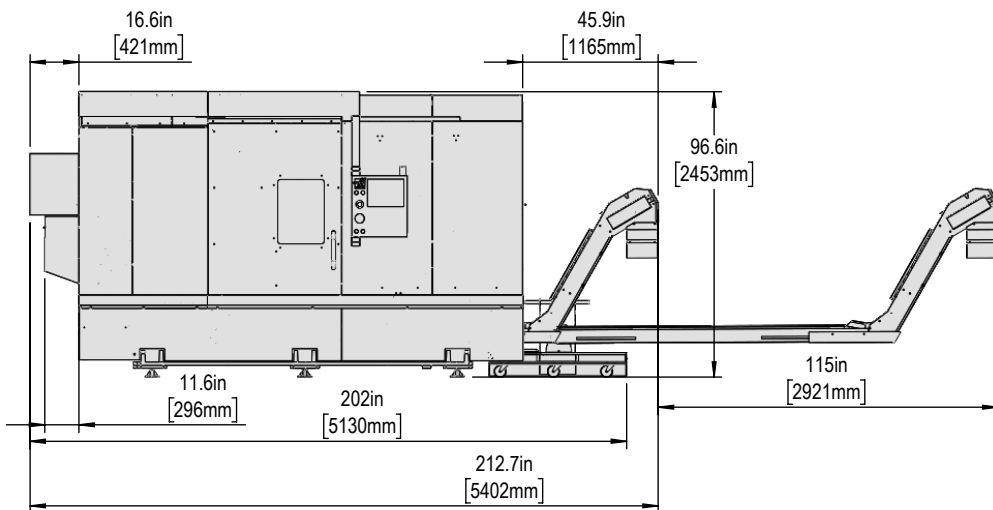
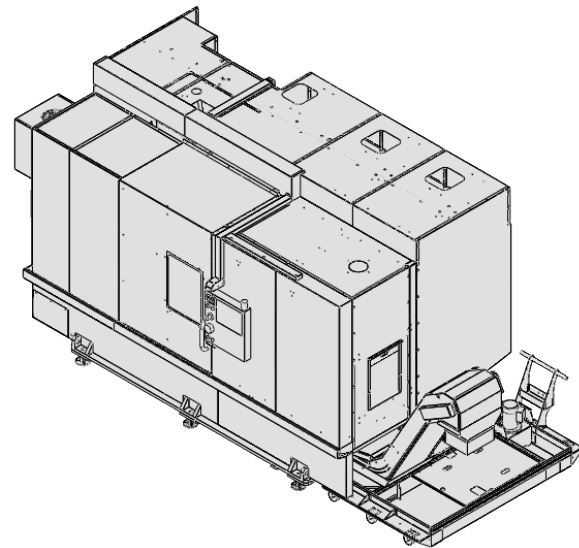
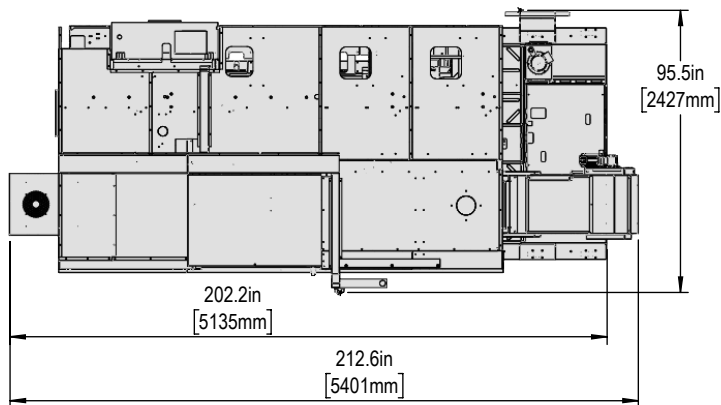


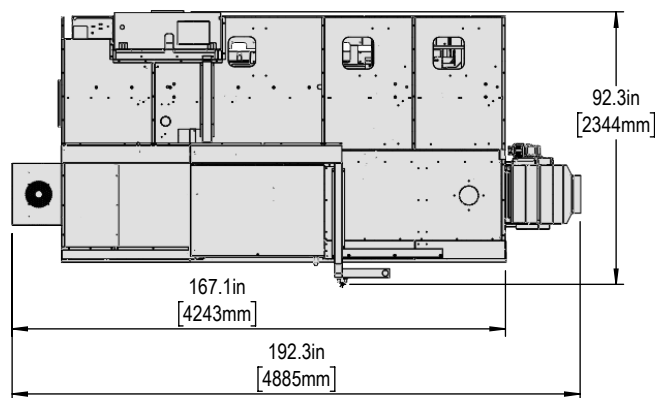
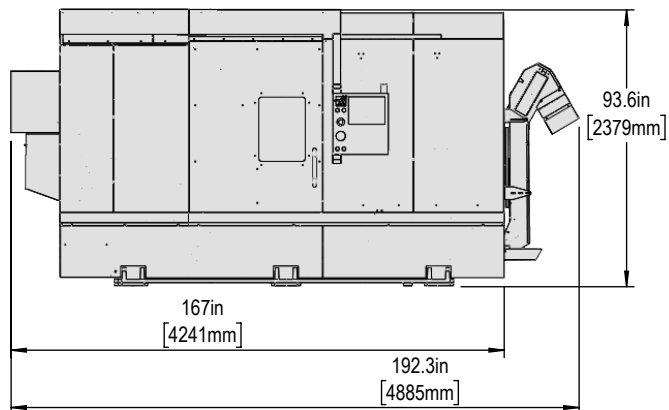


Installed Dimensions

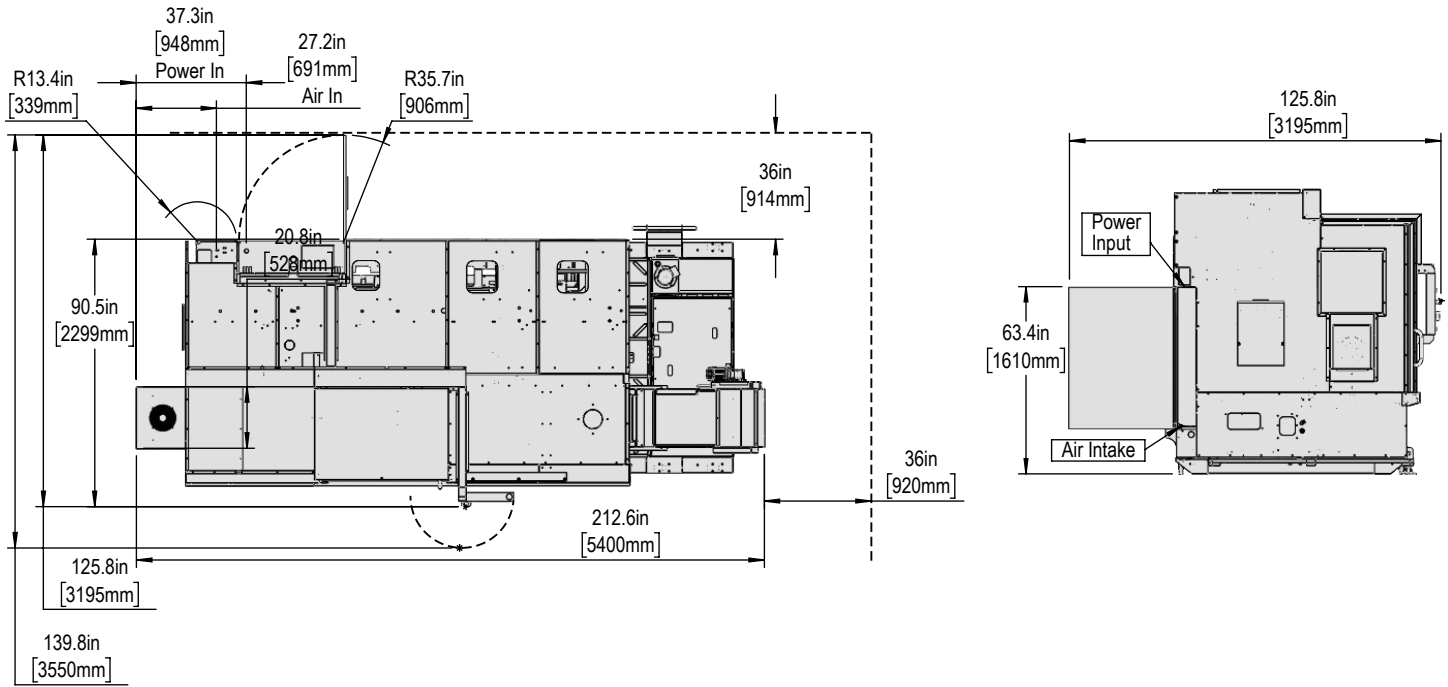


Shipping Dimensions

*All Height Dimensions Based on Suggested Leveling Pad Height



Air & Power



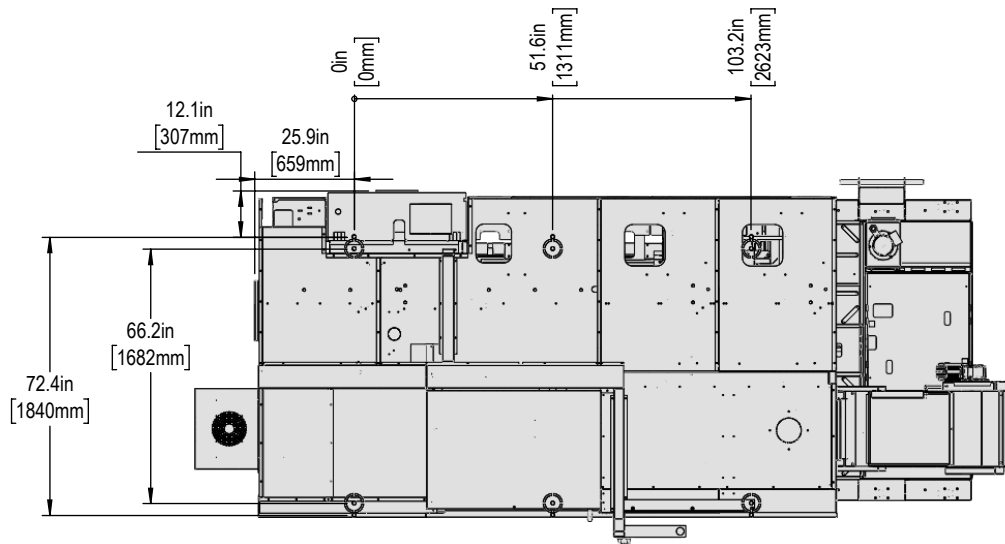
Maintain 3 feet [915mm] clearance to the nearest obstruction around all sides of machine perimeter for maintenance access

Note:

Machine must be placed on one continuous concrete slab. Slab should extend 12in [305mm] beyond anchor holes in all directions

Anchor Pattern

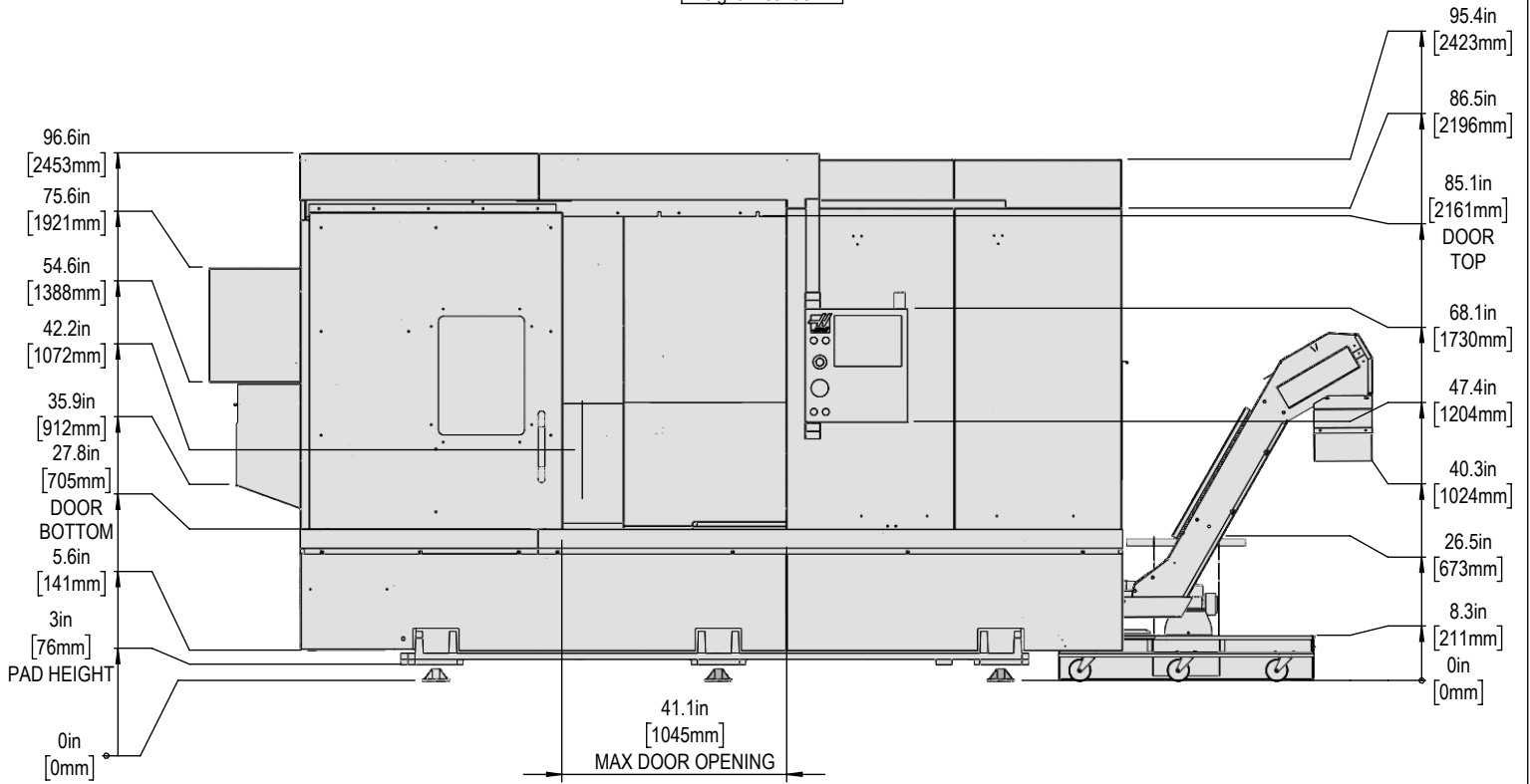
Anchor Hole Detail
 Ø 0.625in [25mm]
 ∇ 2.0in [50mm]-
 ∇ 2.25in [57mm]



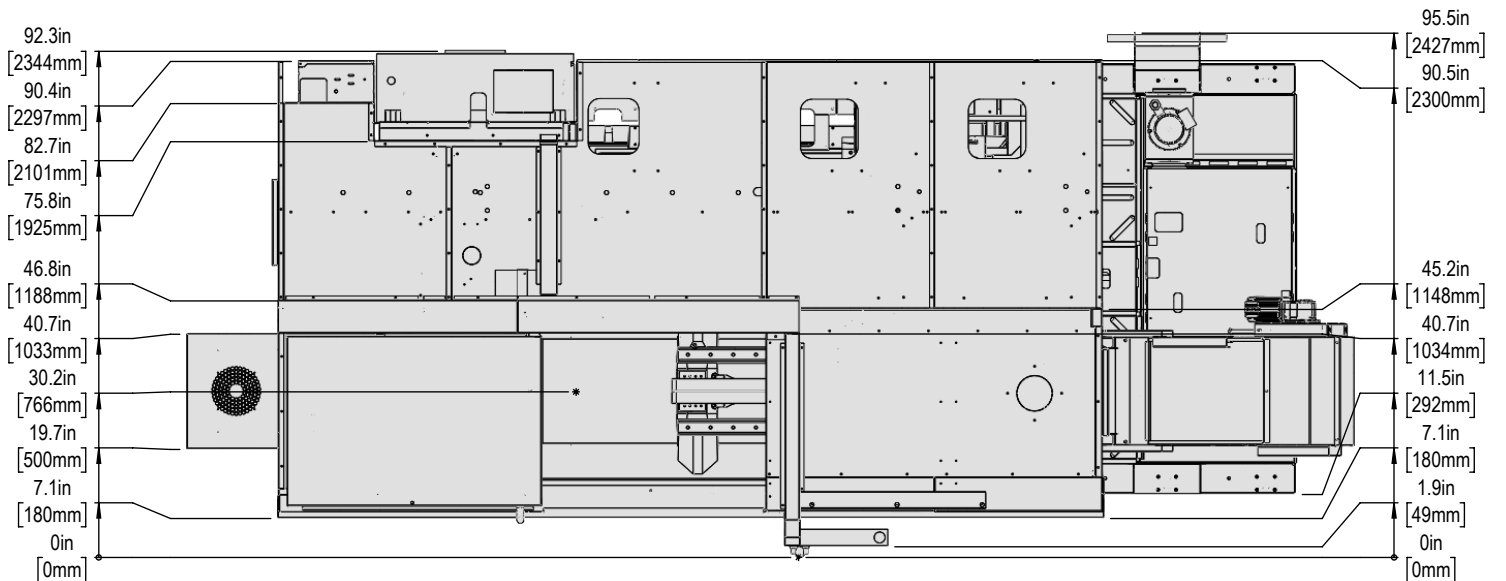
For precise locations and specifications please use template in Anchoring Kit found at Haascnc.com



Height Breakdown

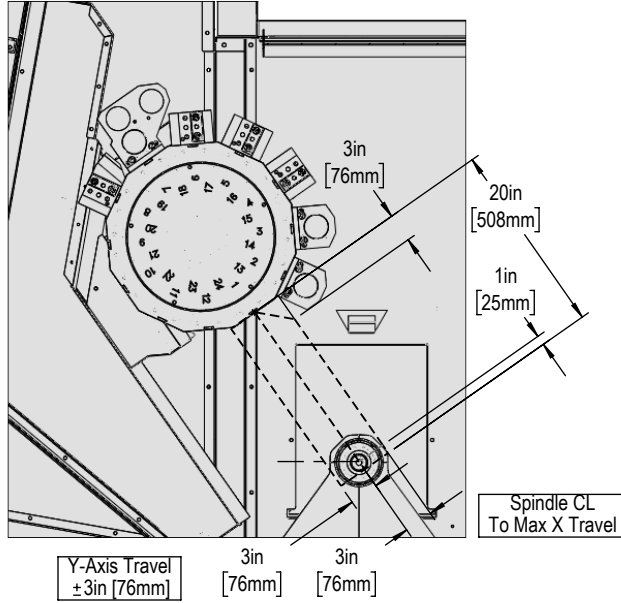


Depth Breakdown

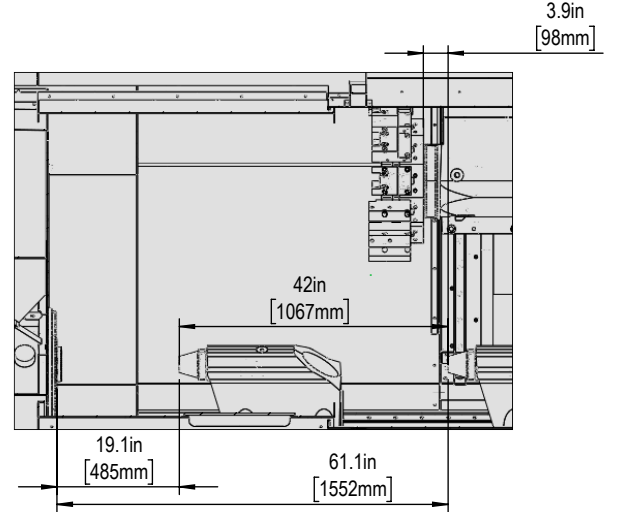


Parallel Plane Envelope Diagrams

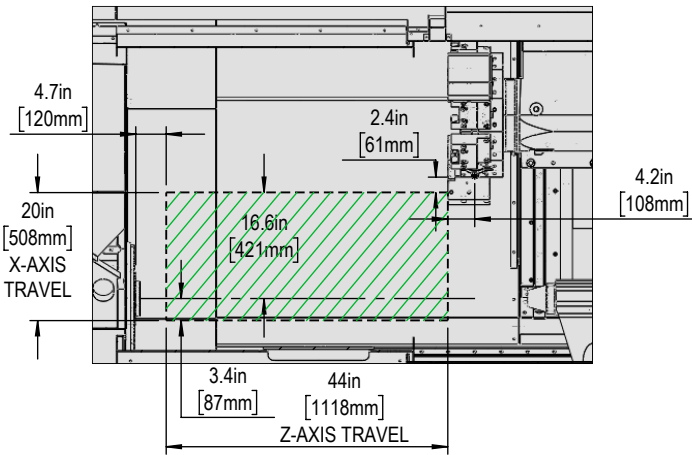
Y-Axis Travel Envelope



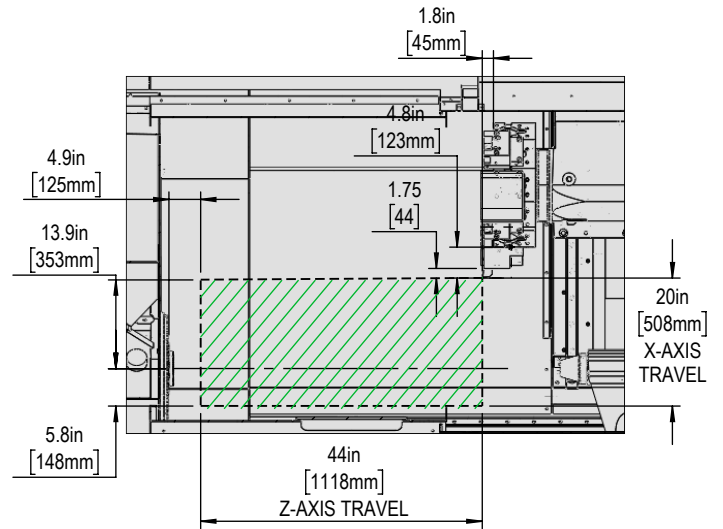
Tailstock Travels



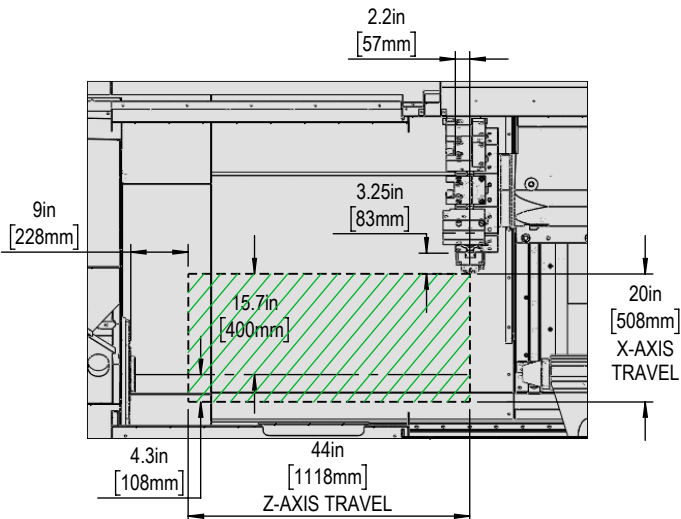
Turning Tool - ID



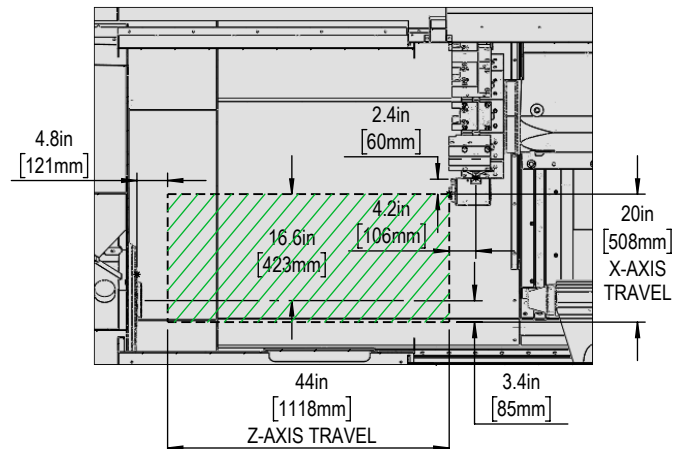
Turning Tool - OD



Live Tooling - BMT75 - STRAIGHT

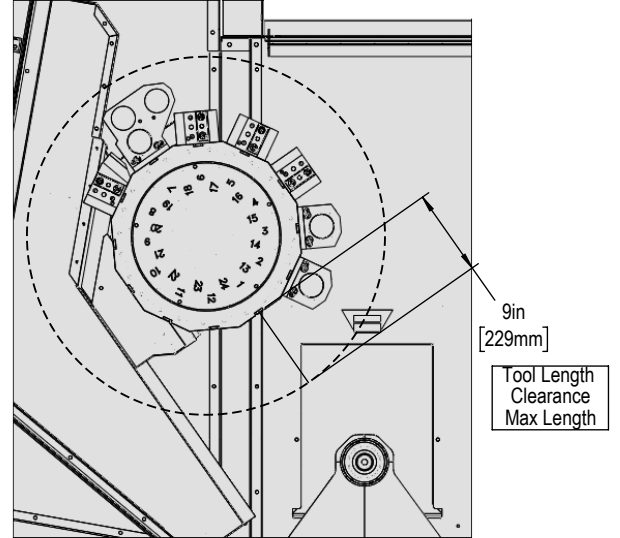
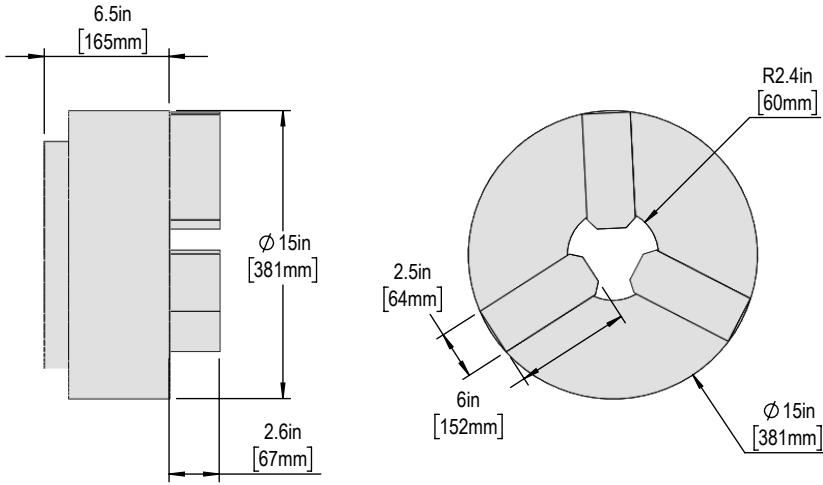


Live Tooling - BMT75-90-DEGREE



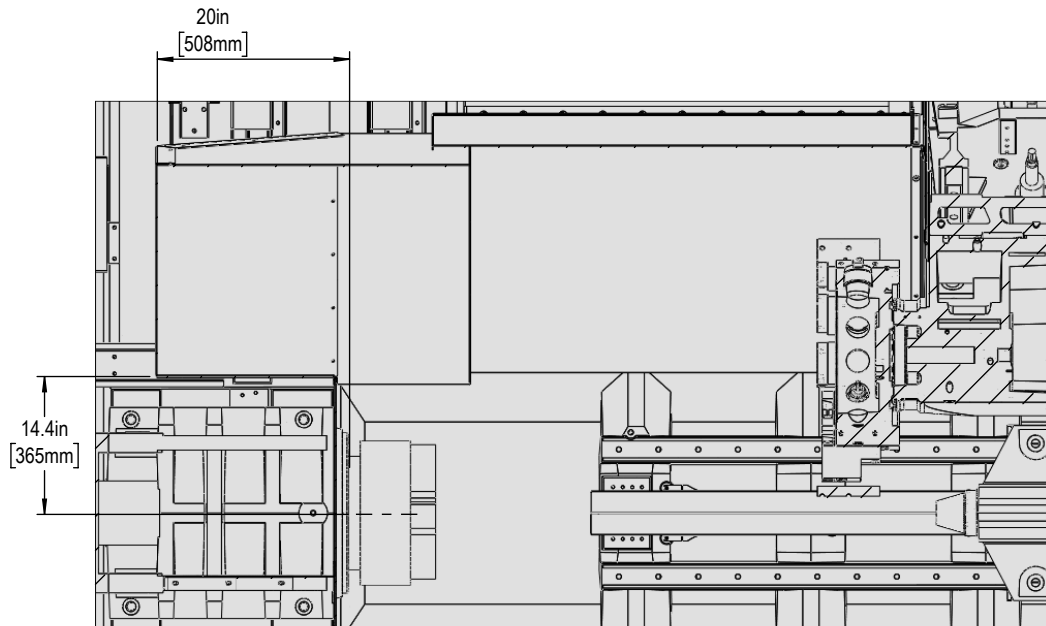
Parallel Plane Envelope Diagrams

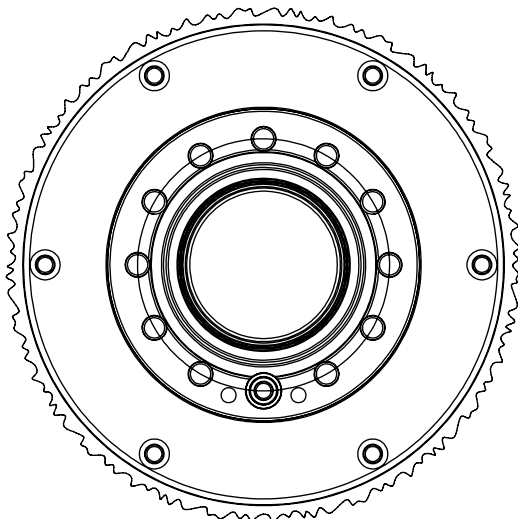
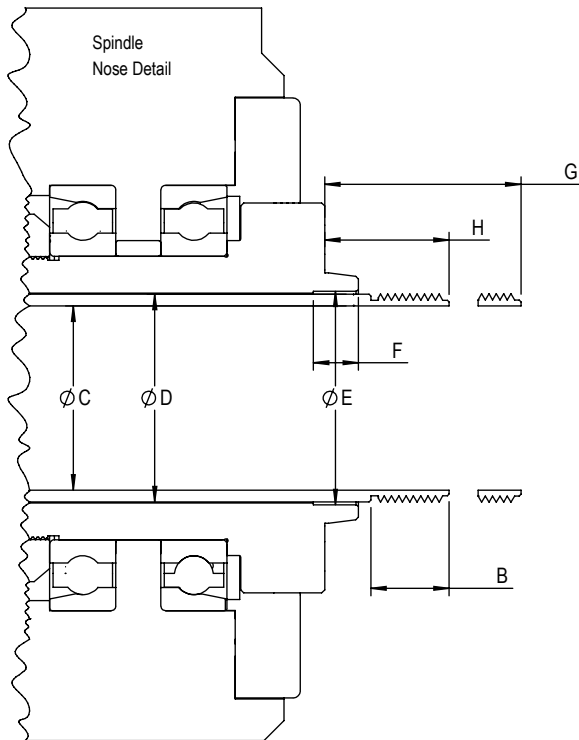
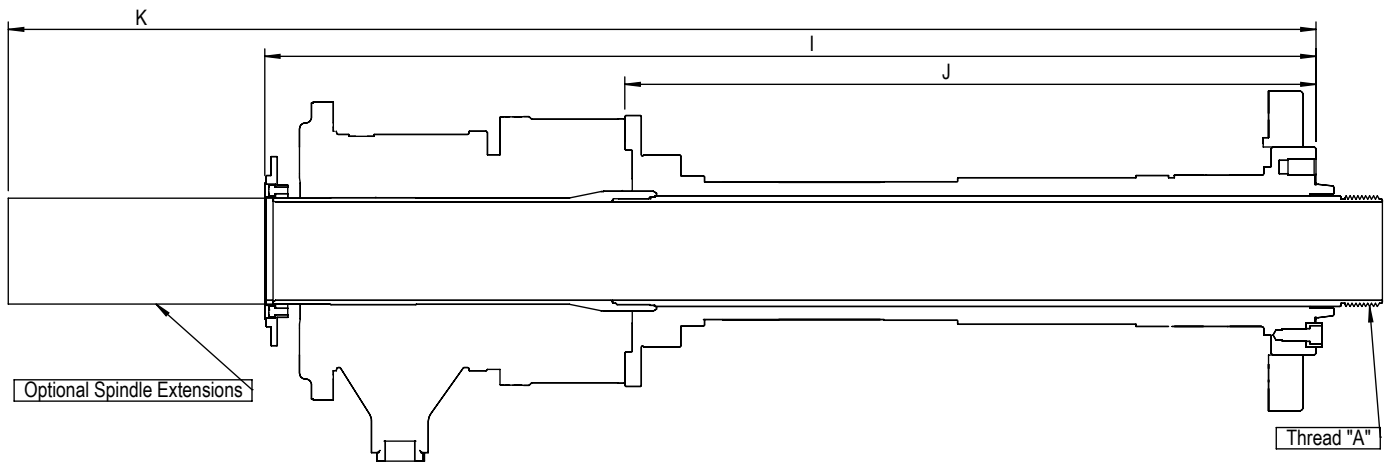
Standard Chuck



Dimensions may vary per manufacturer

Standard Extended Tool Pocket





*Due to vendor variations discretion should be taken to verify validity of provided dimensions

Description	DIMENSION PARAMETER	ST-40/Y	
		SAE (in)	METRIC (mm)
SPINDLE TYPE		A2-8	
THREAD TYPE	A	M115 X 2.0	
INTERNAL OR EXTERNAL		EXTERNAL	
LENGTH OF THREAD	B	1.42	36.08
DRAWTUBE INTERNAL ϕ	C	4.23	107.49
DRAWTUBE EXTERNAL ϕ	D	4.56	115.87
COUNTERBORE INTERNAL ϕ	E	N/A	N/A
COUNTERBORE DEPTH	F	N/A	N/A
DRAWTUBE EXTENDED	G	3.13	79.5
DRAWTUBE RETRACTED	H	1.75	44.5
SPINDLE FACE TO BACK OF UNION	I	41.0	1041
SPINDLE FACE TO UNION ADAPTOR	J	30.9	785
TO BACK OF EXTENSION (OPTION)	K	N/A	N/A