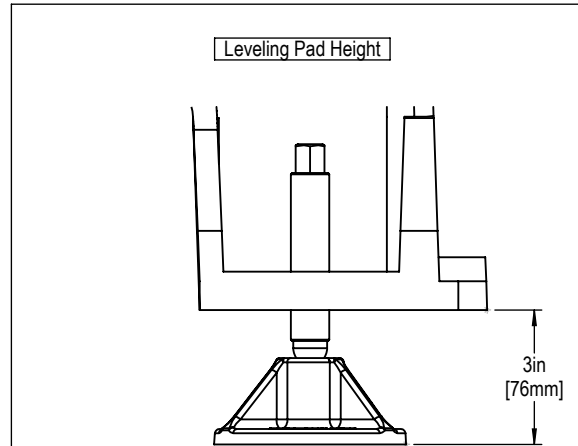
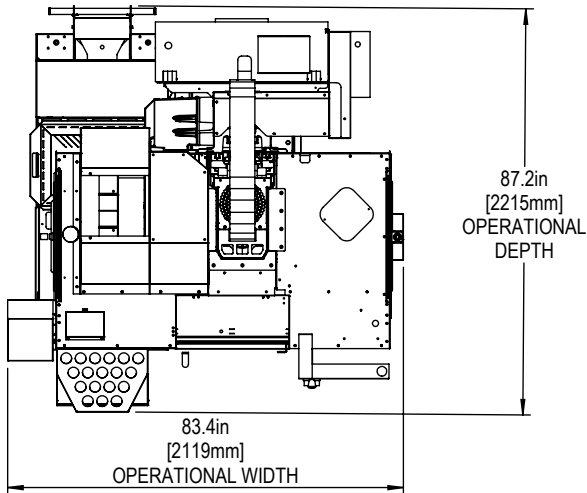
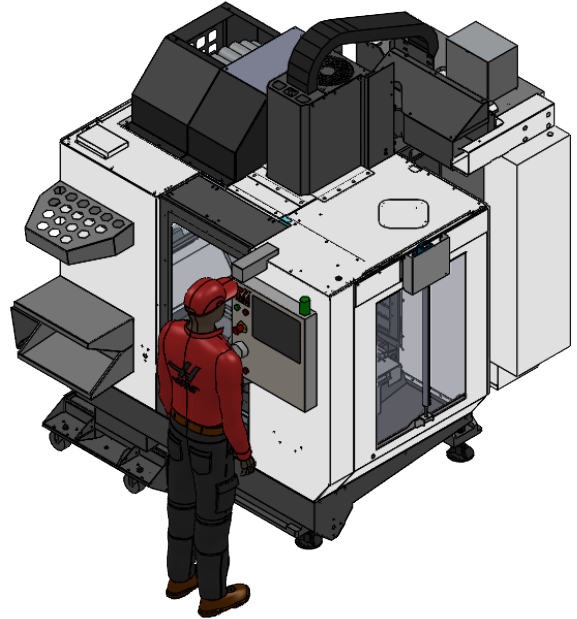
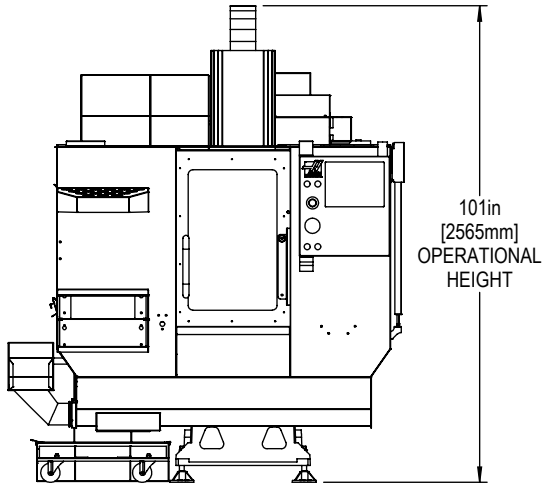


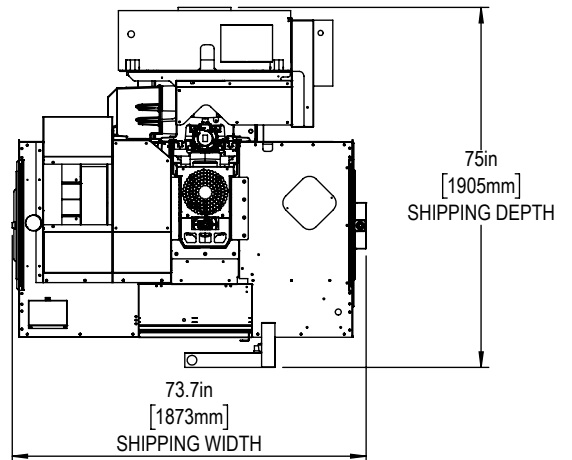
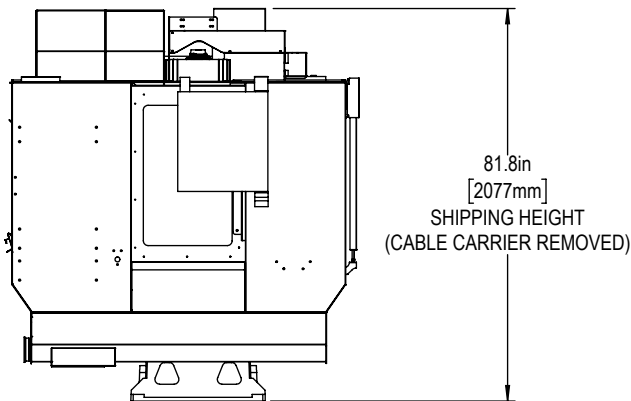


Installed Dimensions

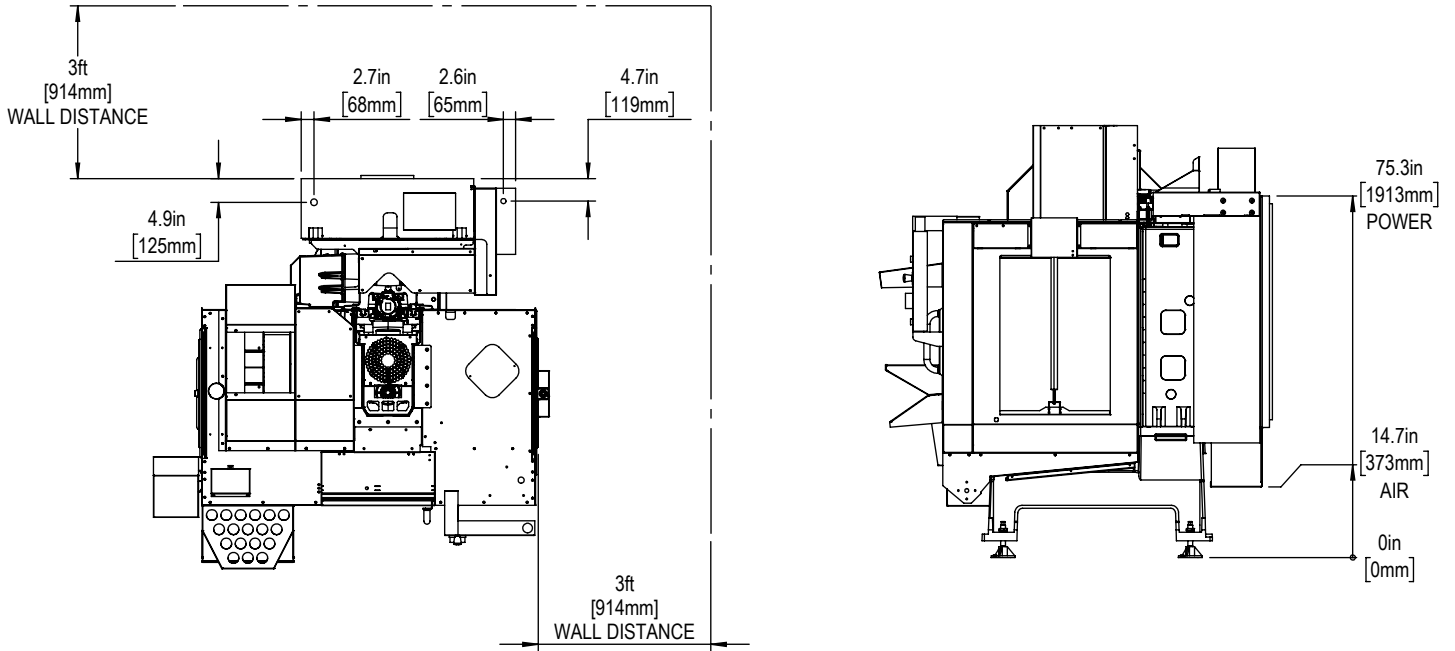


\*All Height Dimensions Based on Suggested Leveling Pad Height

Shipping Dimensions



Air & Power

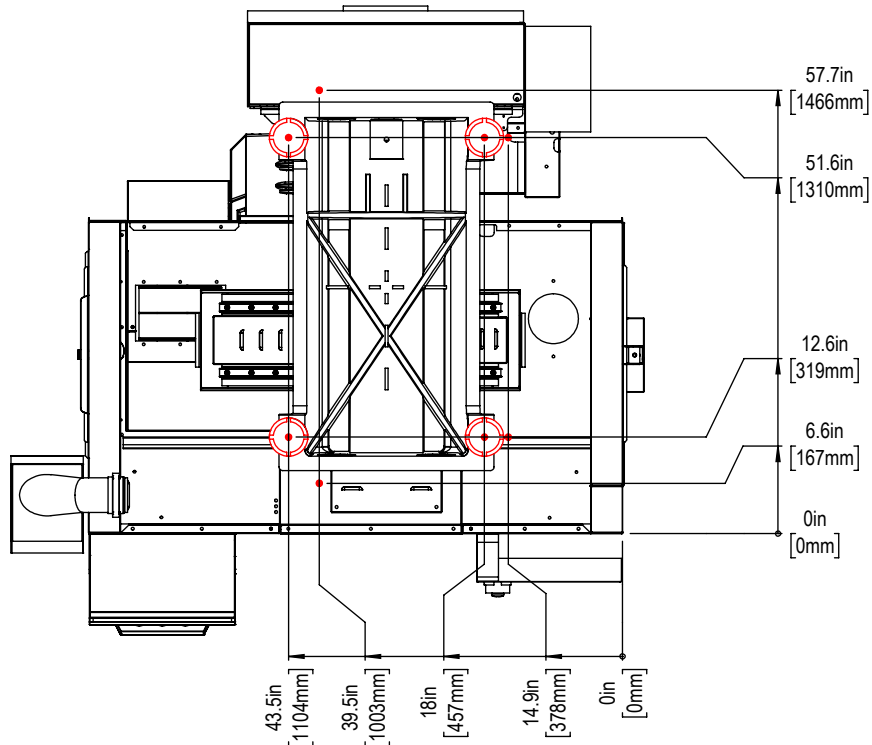


Maintain 3 feet [915mm] clearance to the nearest obstruction around all sides of machine perimeter for maintenance access

Note:  
Machine must be placed on one continuous concrete slab. Slab should extend 12in [305mm] beyond anchor holes in all directions

Anchor Pattern

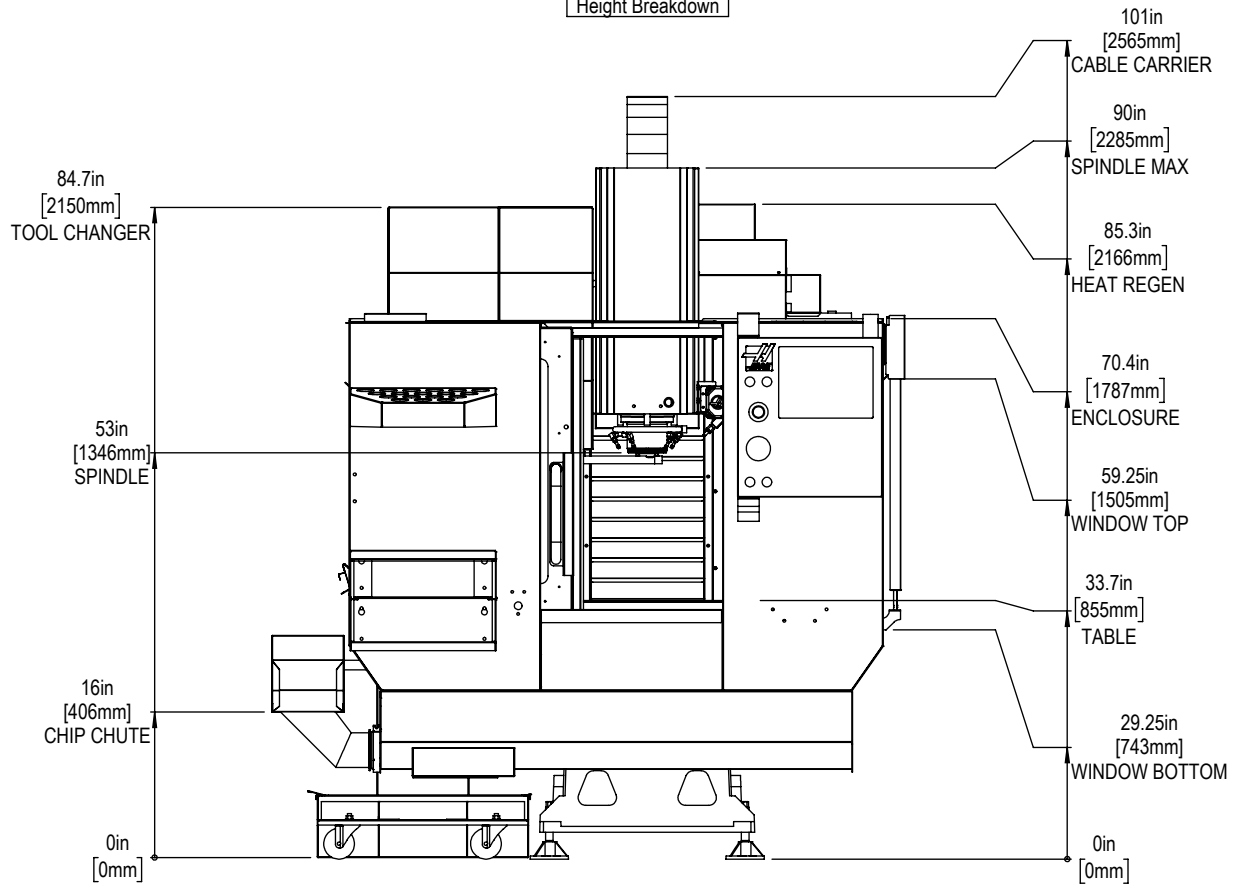
Anchor Hole Detail  
 Ø 0.625in[25mm]  
 ▽ 2.0in[50mm]-  
 ▽ 2.25in[57mm]



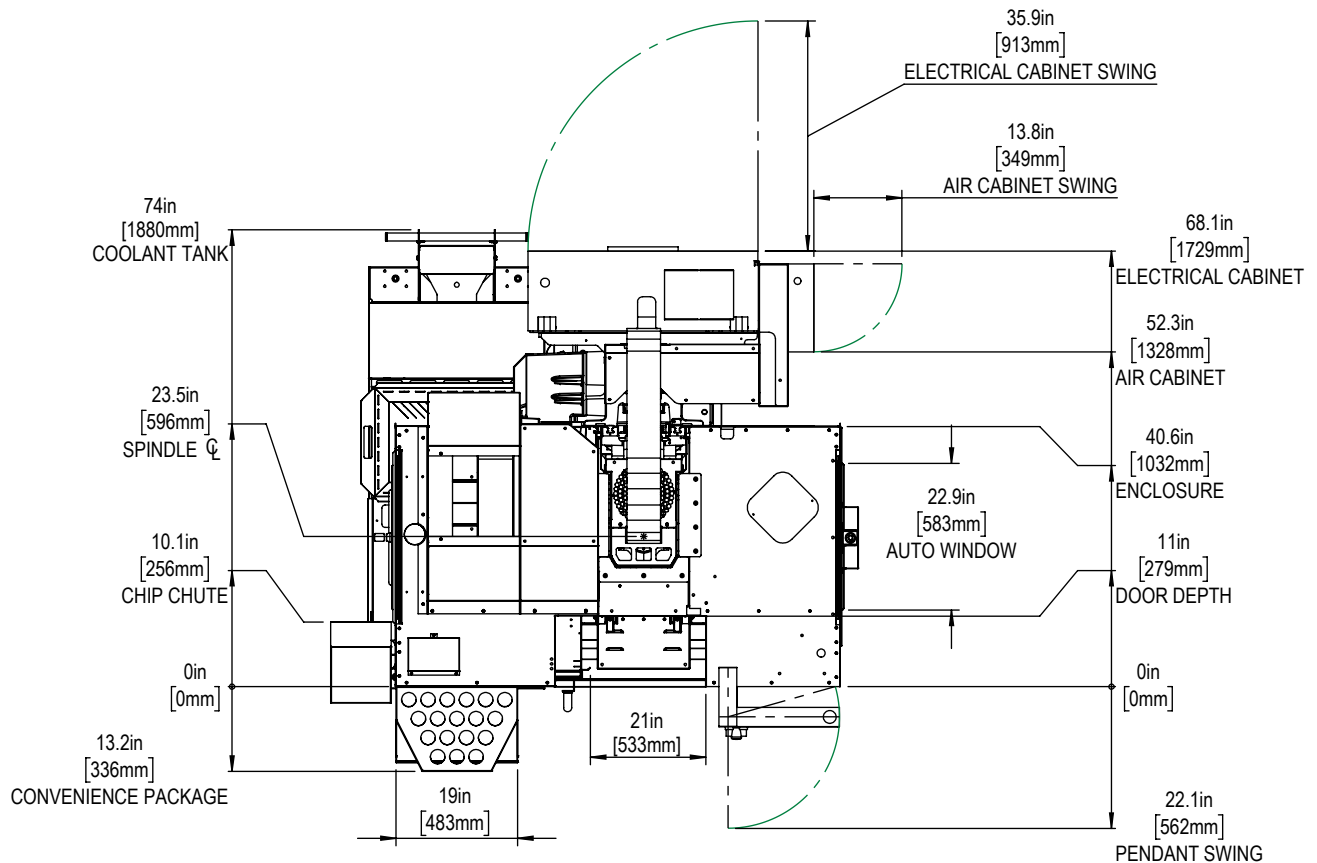
For precise locations and specifications please use template in Anchoring Kit found at Haascnc.com



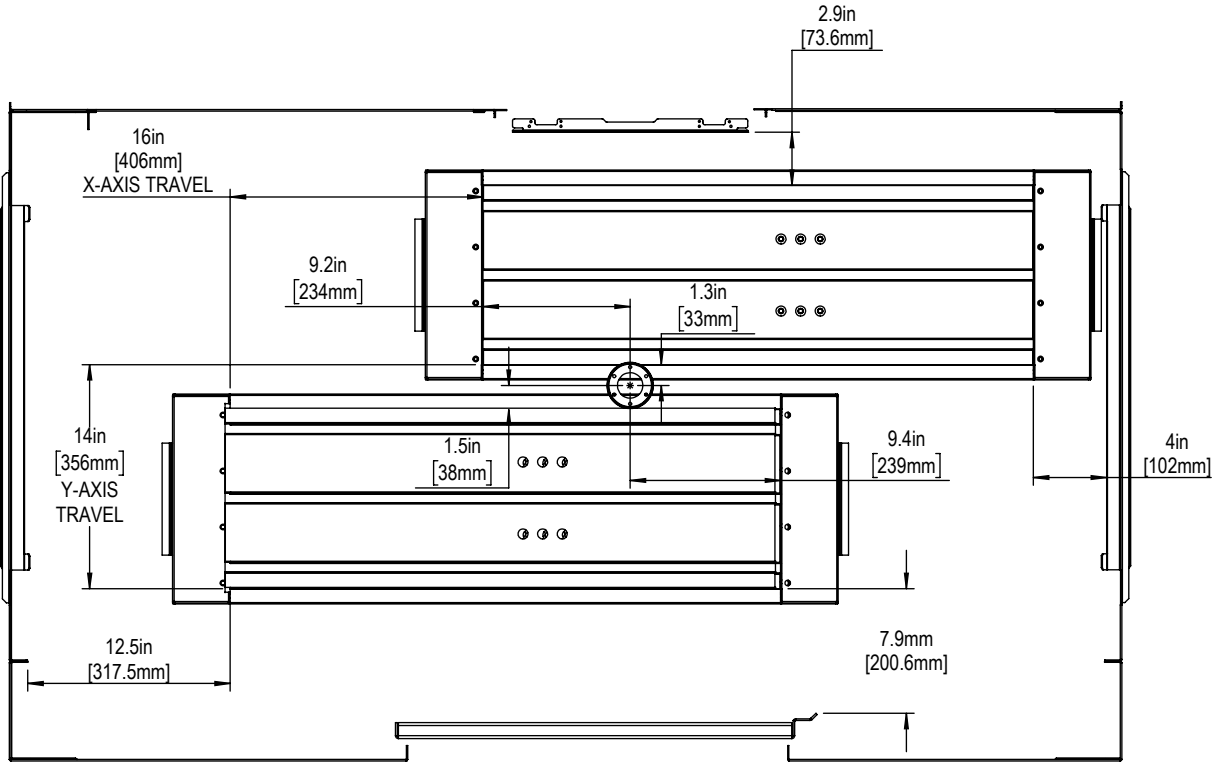
Height Breakdown



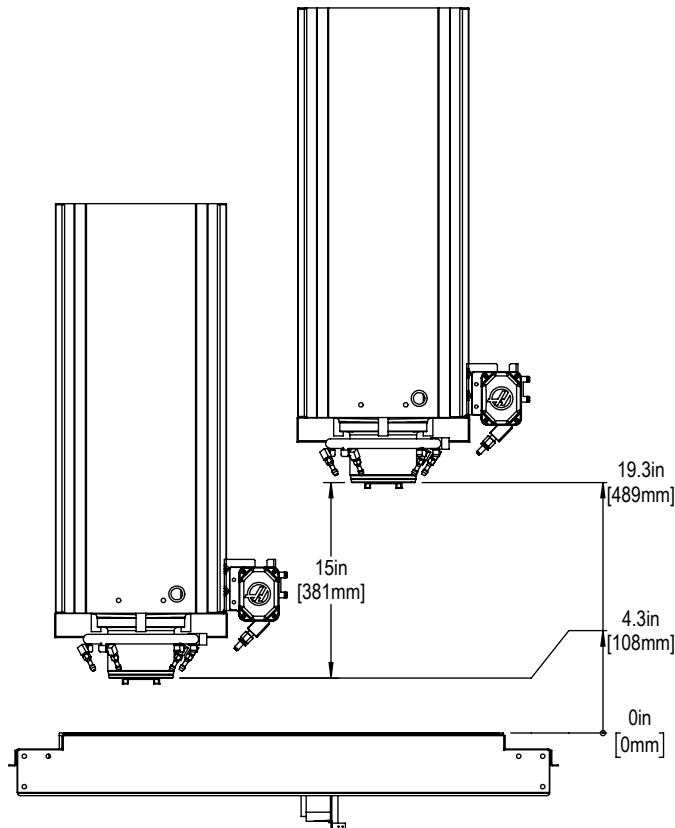
Width Breakdown



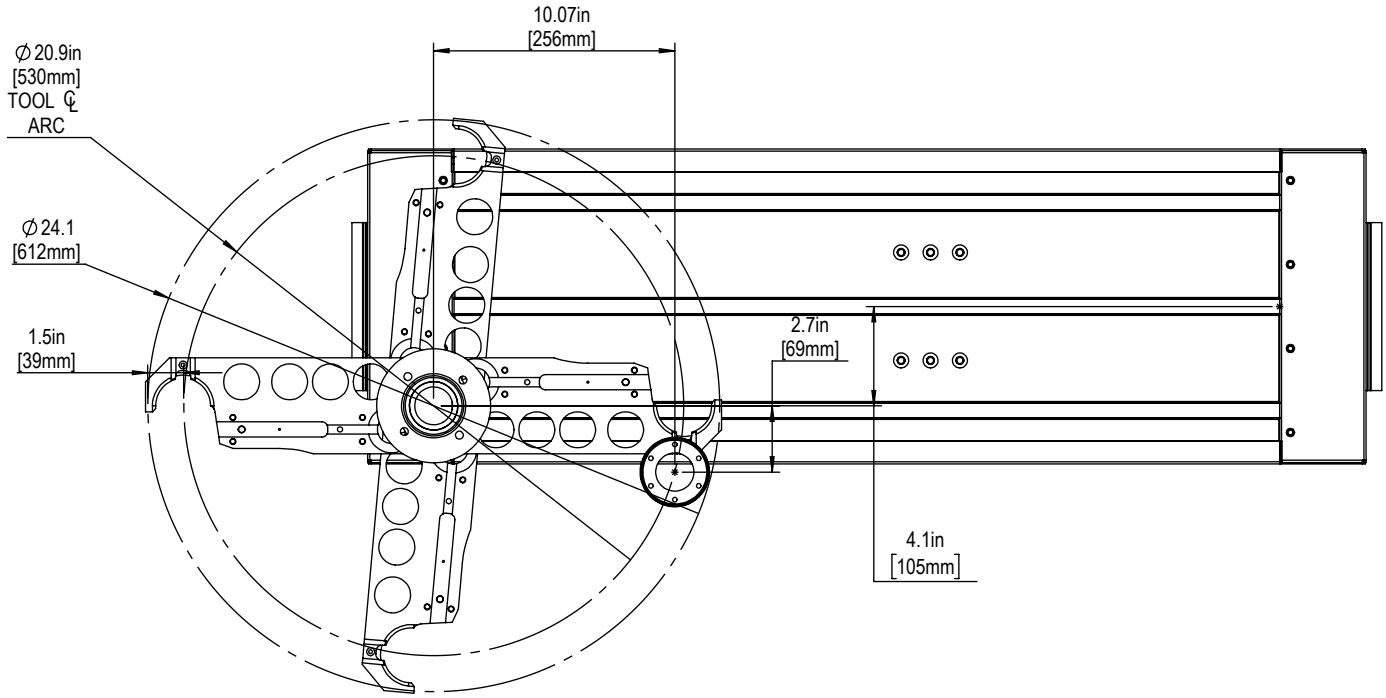
X&Y-Axis Travel and Clearance



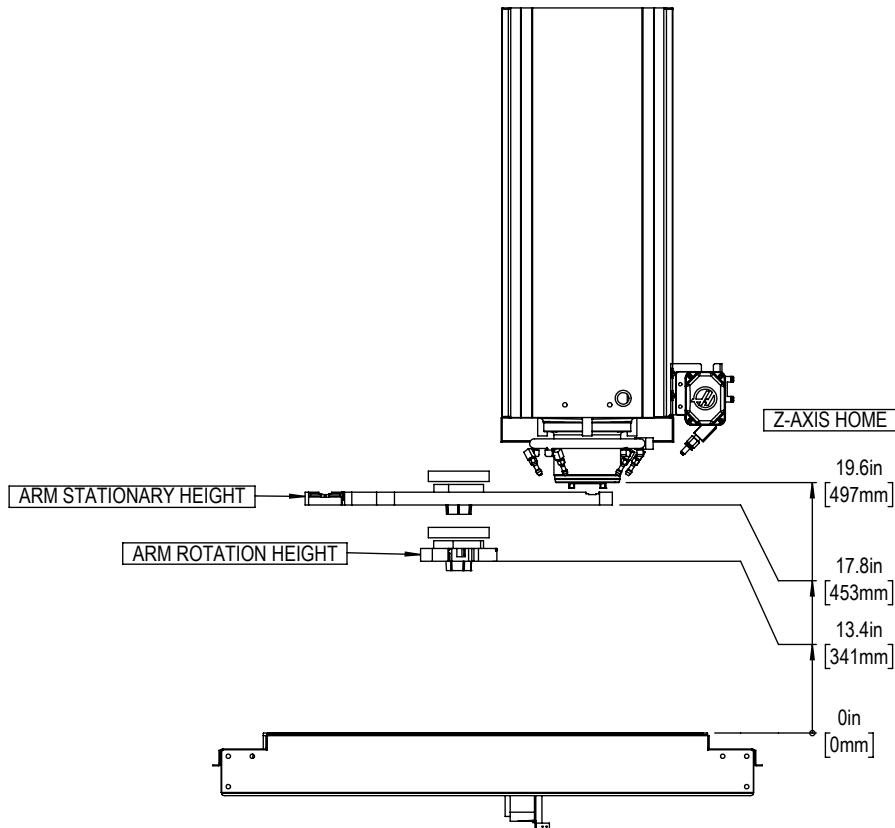
Z-AXIS TRAVEL & CLEARANCE



X&Y-Axis Travel and Clearance

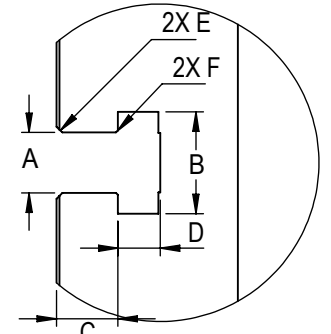
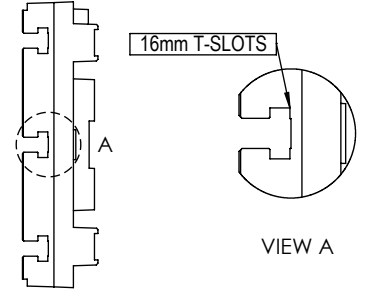
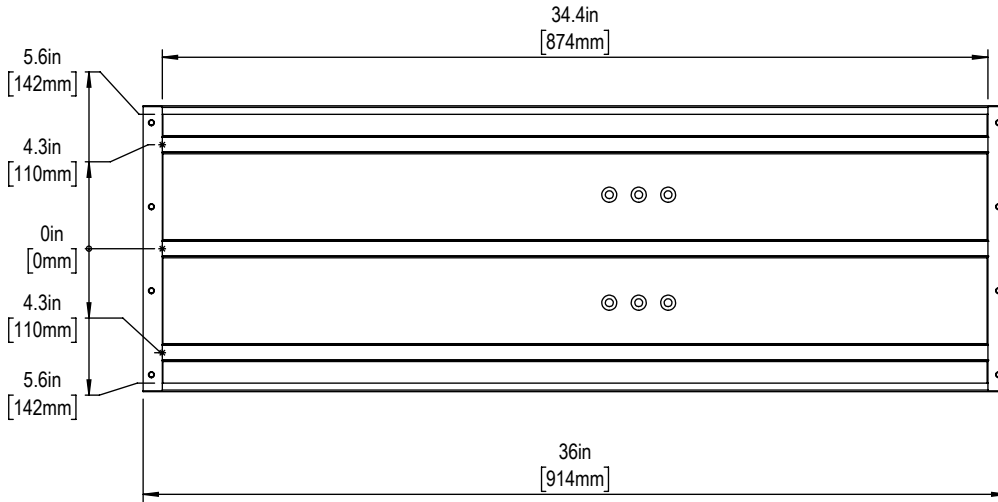


Z-AXIS TRAVEL & CLEARANCE





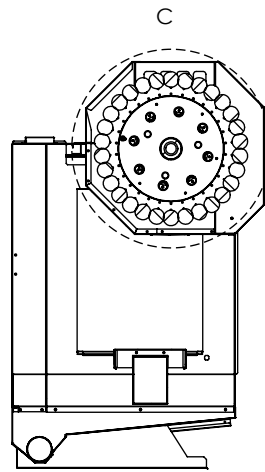
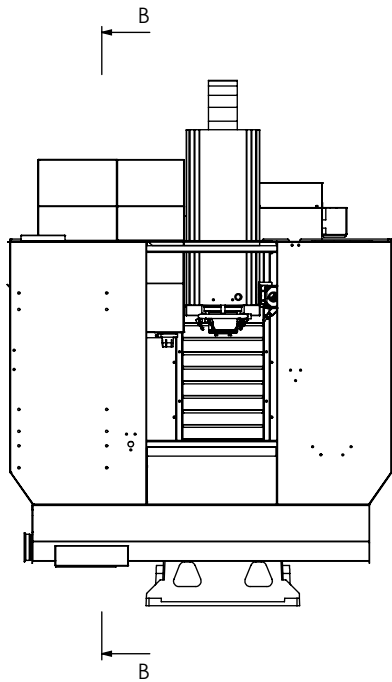
Table



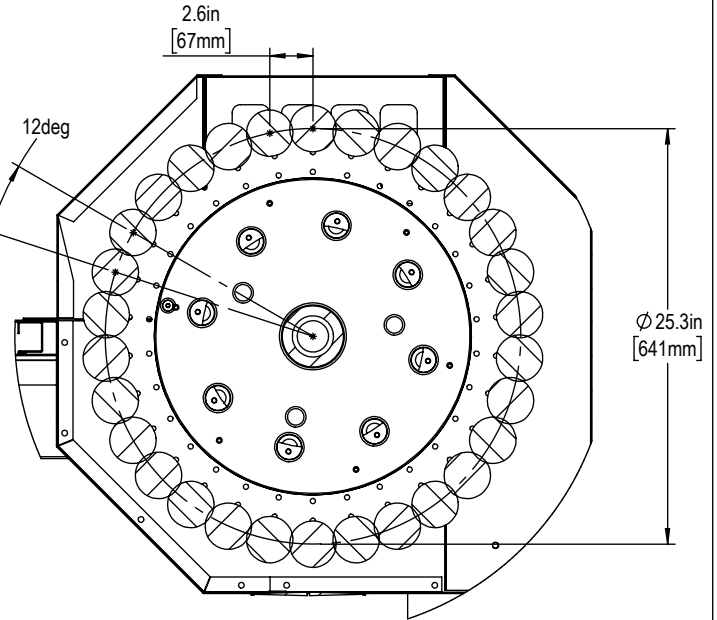
Slot Size	A	B	C	D	E	F
12mm	$0.438^{+0.002}_{-0.000}$	$0.76 \pm 0.02$	$0.310 \pm 0.010$	$0.318 \pm 0.010$	$0.03 \times 45^\circ$	$0.020 \times 45^\circ$
16mm	$0.628 \pm 0.002$	$1.06 \pm 0.02$	$0.640 \pm 0.010$	$0.420 \pm 0.010$	$0.06 \times 45^\circ$	$0.020 \times 45^\circ$

T-Slot Dimensions in inches

Tool Changer



SECTION B-B



VIEW C