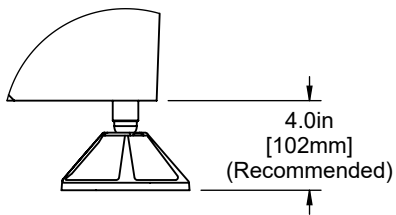
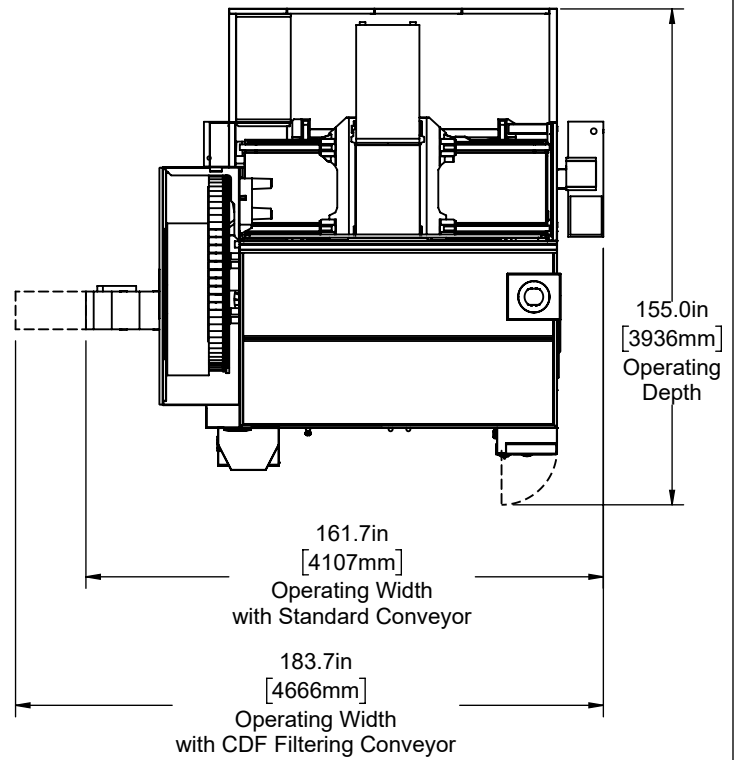
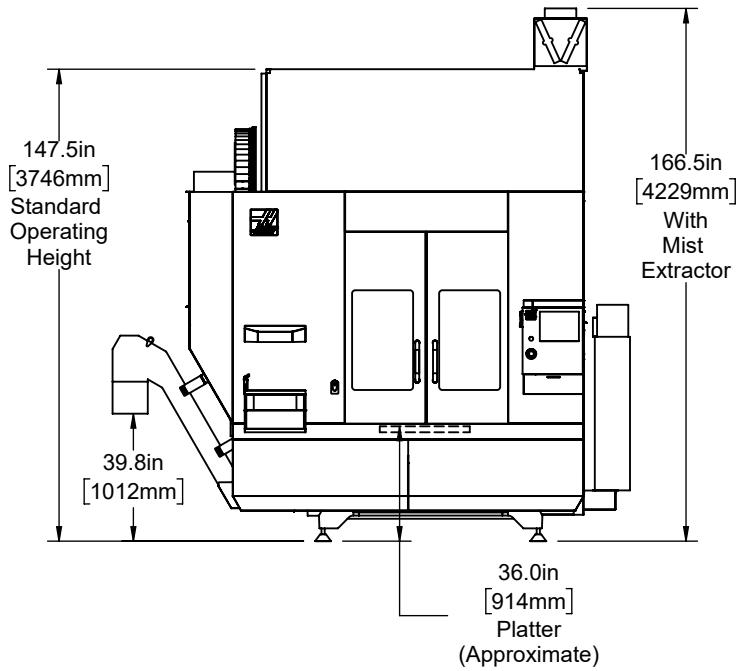
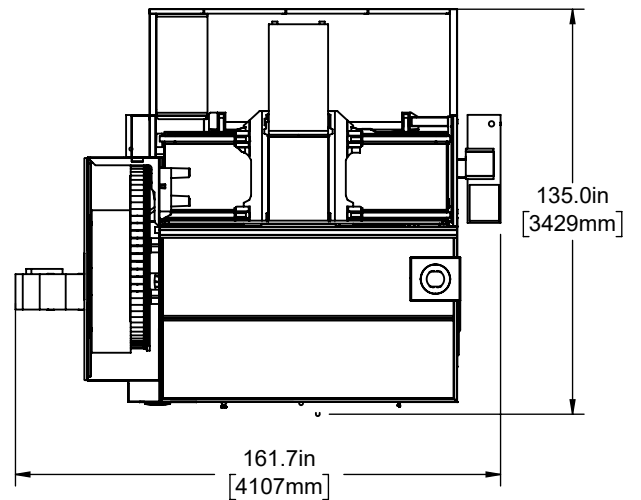
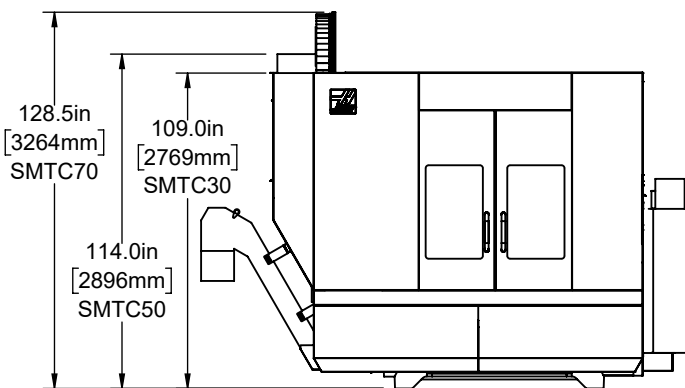




Operating Dimensions



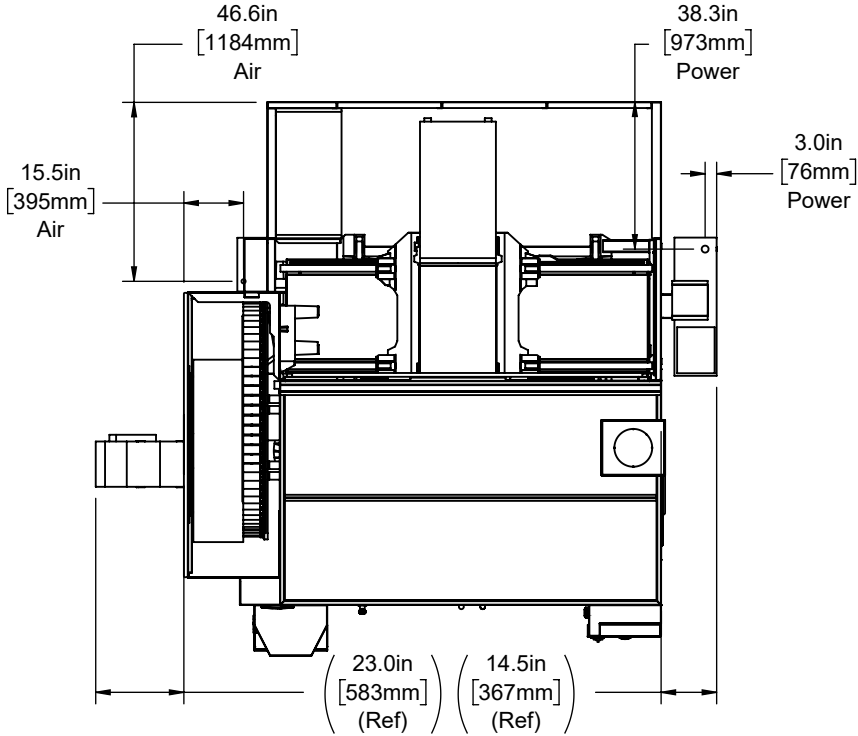
Shipping Dimensions



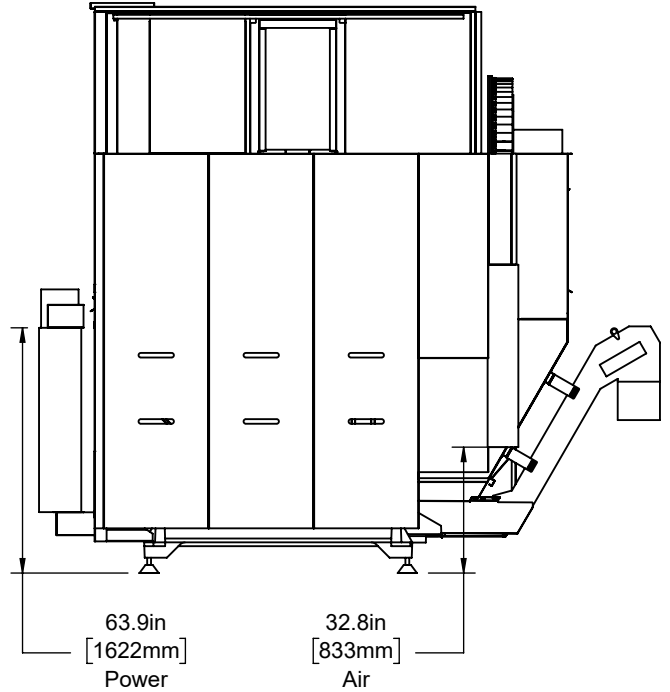


Air & Power

Top View

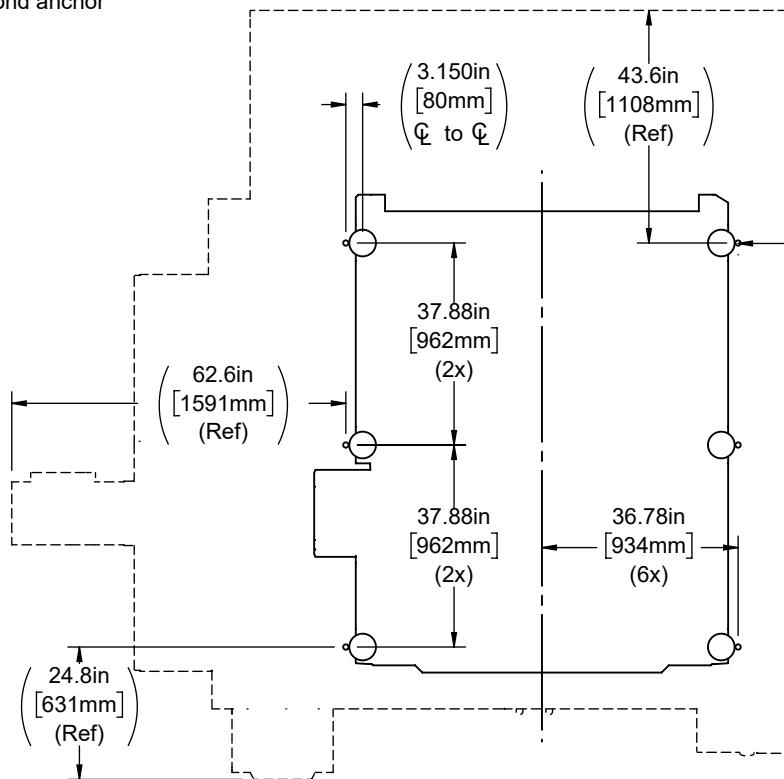


Rear View



Note - Machine must be placed on one continuous concrete slab. Slab should extend 12in [305mm] beyond anchor holes in all directions

Anchor Pattern

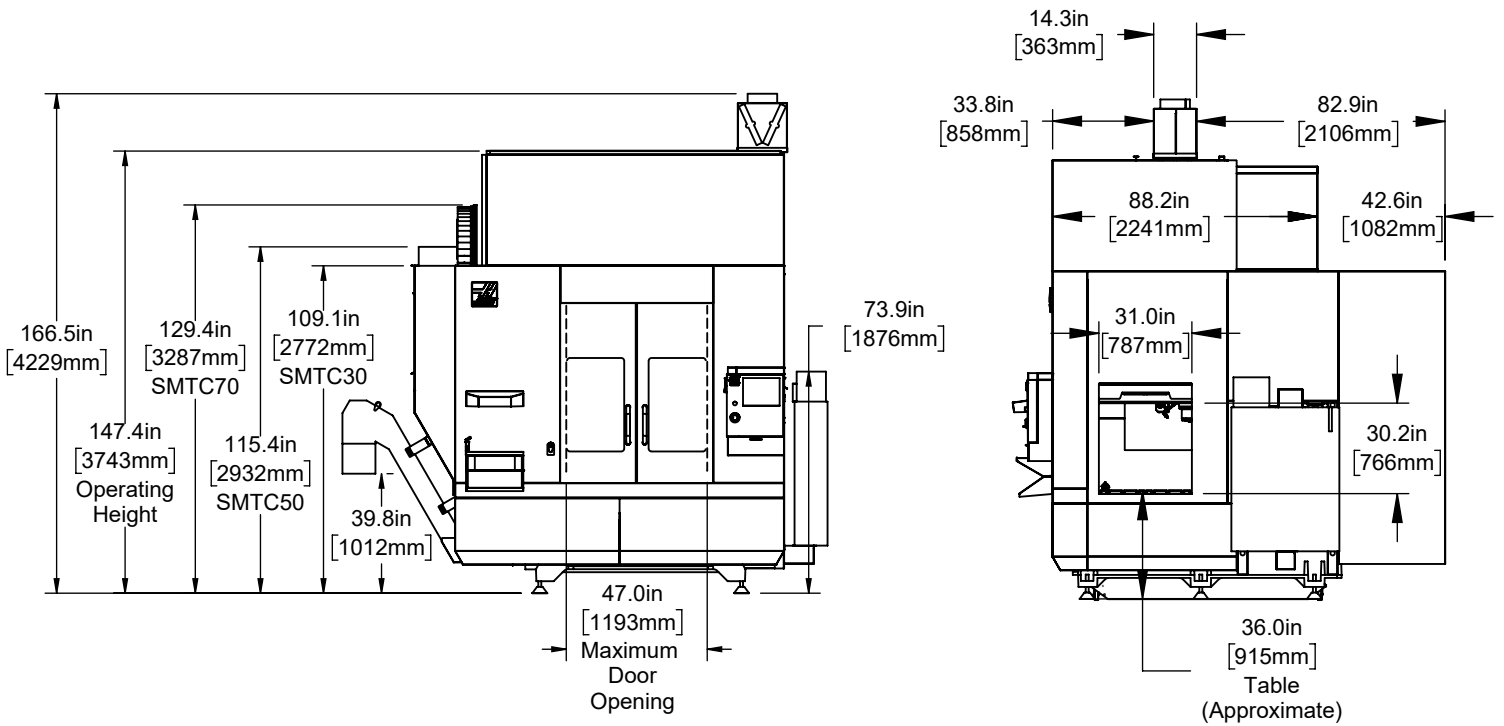


Anchor Hole Detail

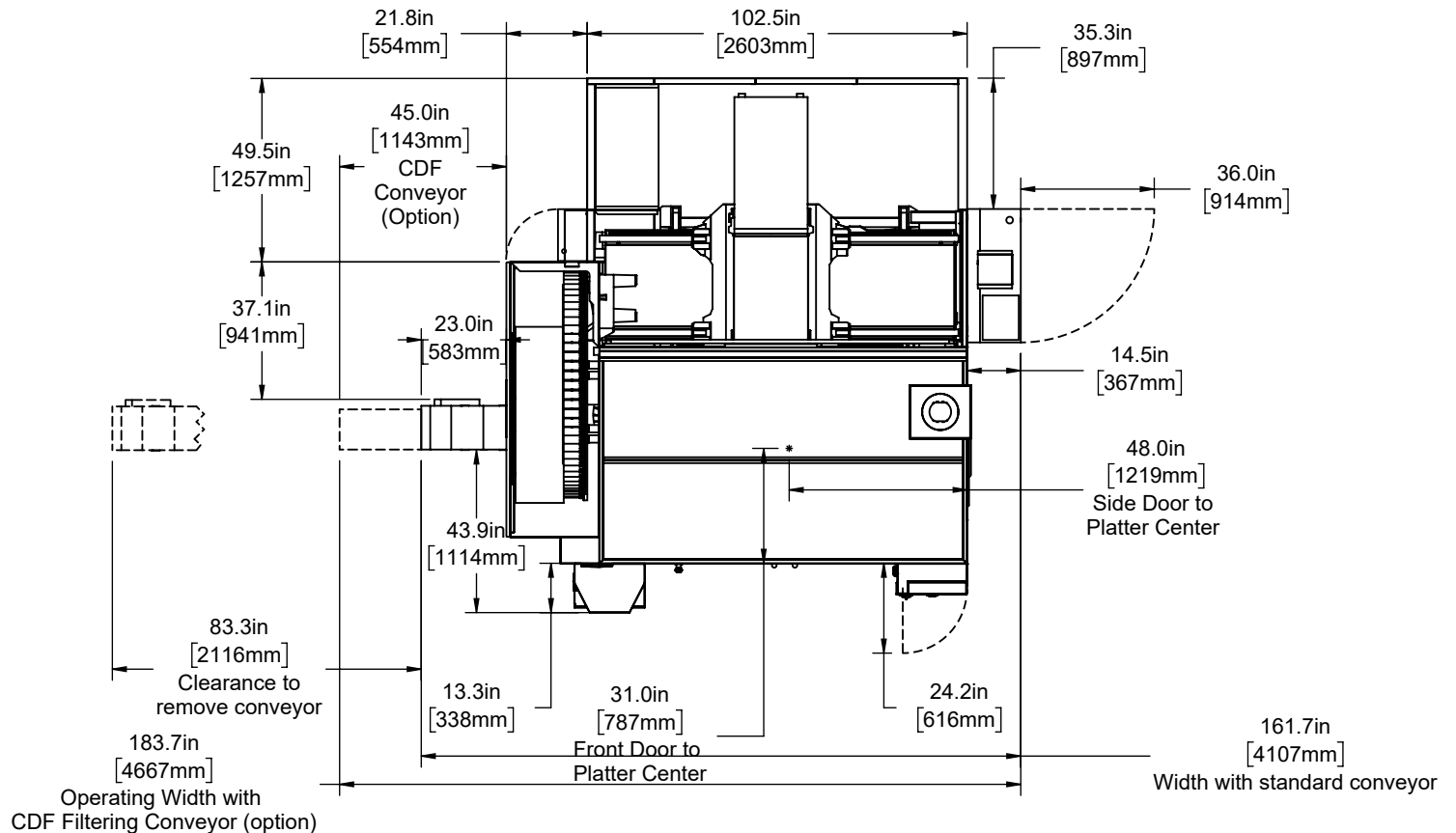
Ø.625in [16mm]
▽ 2.0in-2.25in [50.8mm]-[57.2]

25.5in [648mm] (Ref)

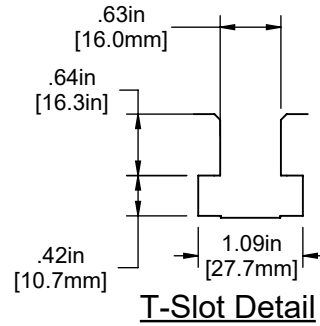
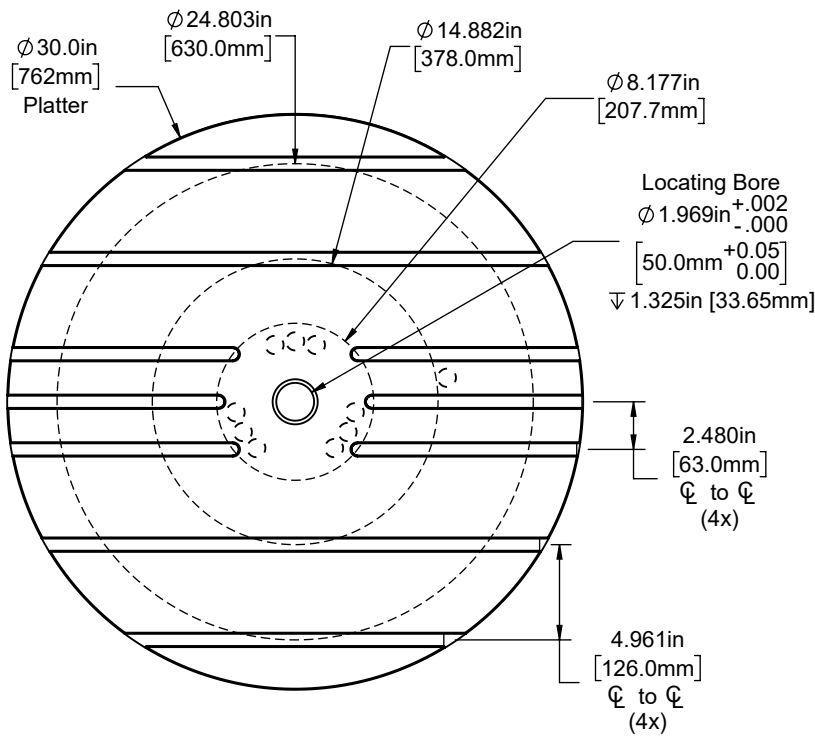
Height Breakdown



Width Breakdown



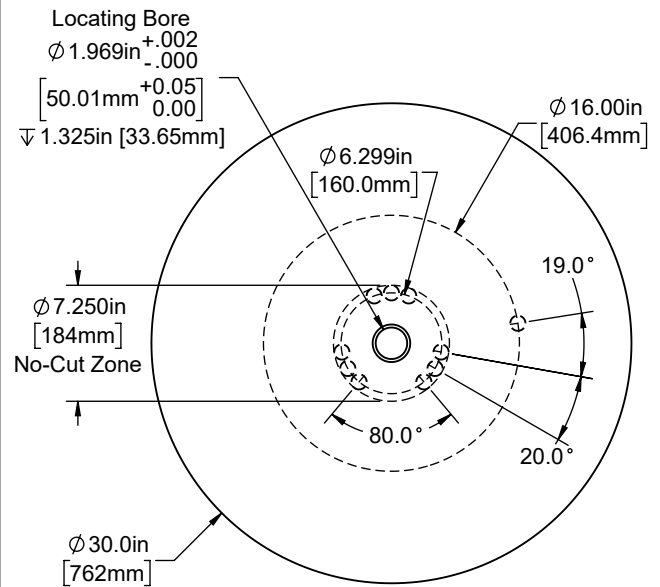
Standard Table



Blank Platter Option

Drill and tap custom fixturing holes as needed
 $\nabla 1.500\text{in}$ [38.1mm] maximum hole depth

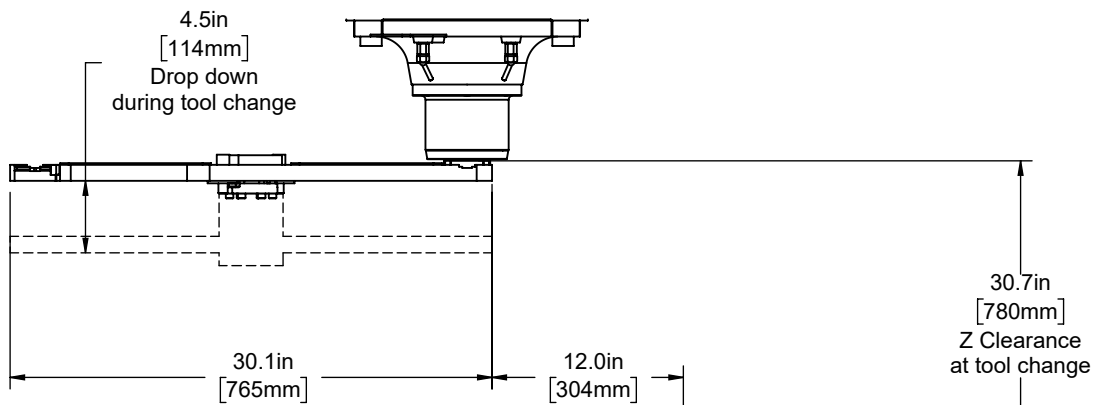
Do not use existing holes



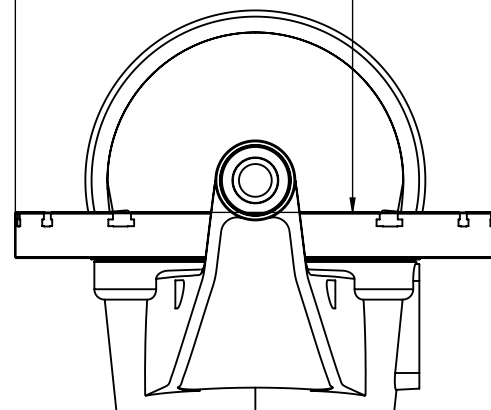
Note

- (10x) Phantom holes cannot be used for part fixturing

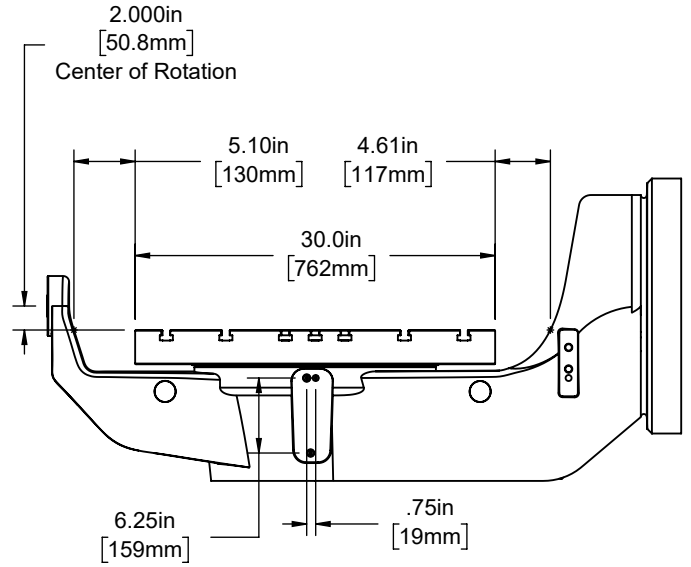
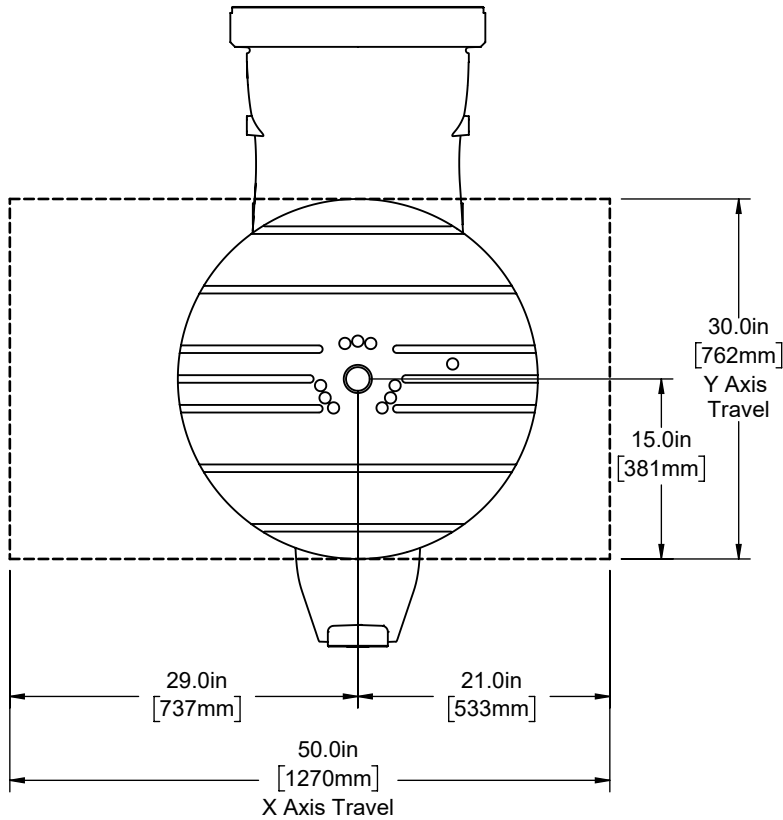
Tool Changer



See solid model for tool changer maximum interference sweep



X&Y-Axis Clearance



Z-Axis Clearance

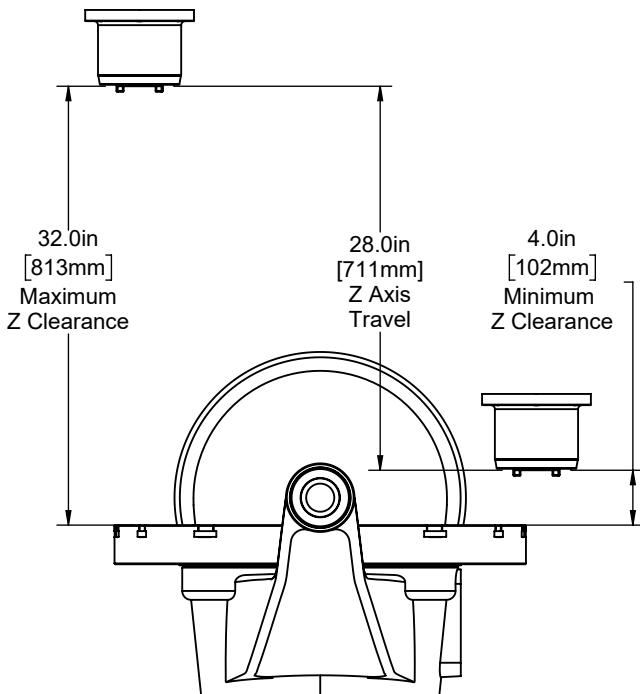
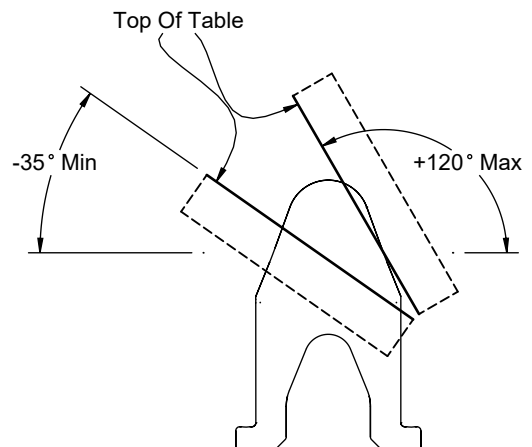
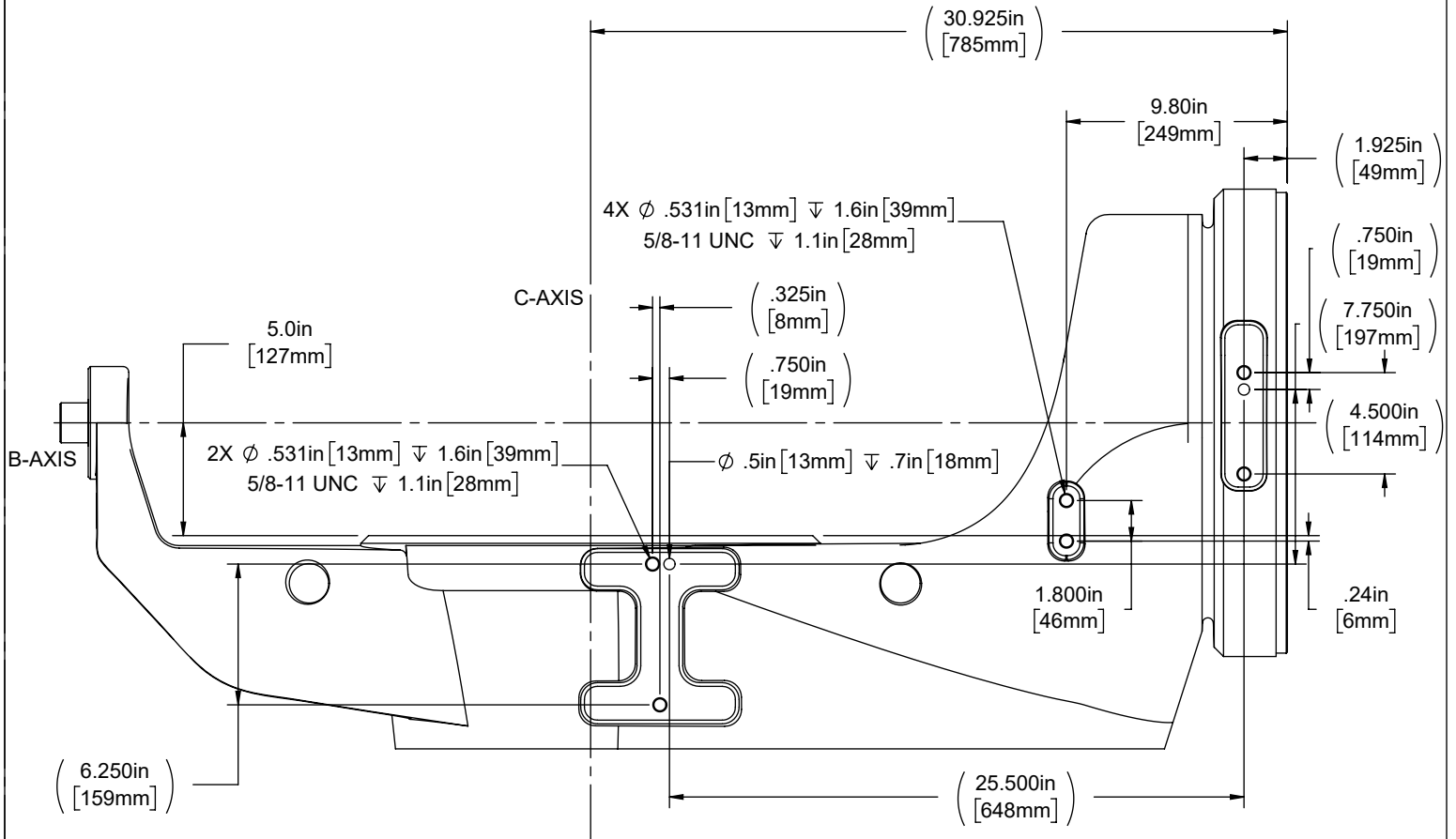


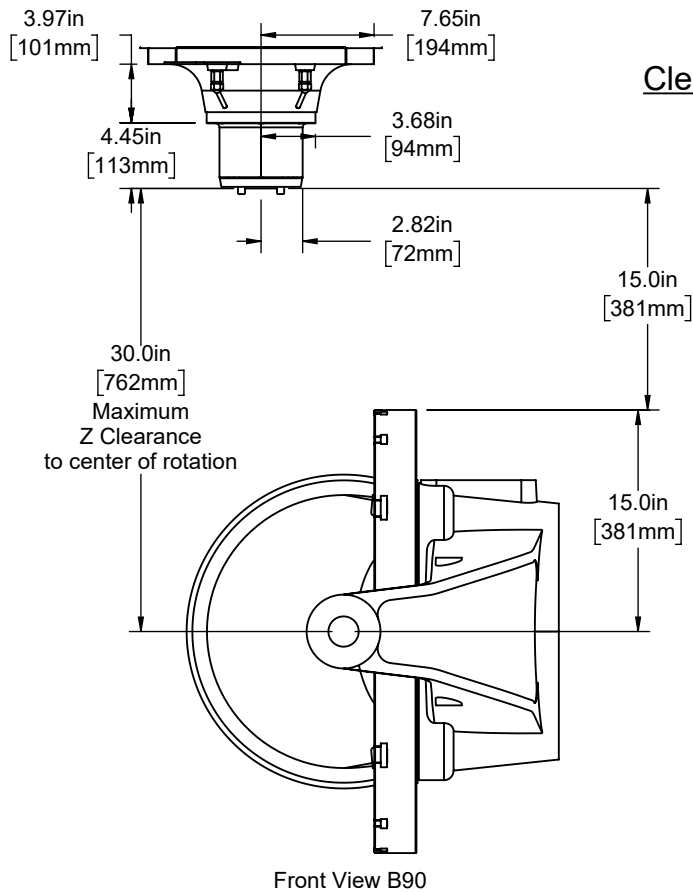
Table Rotation



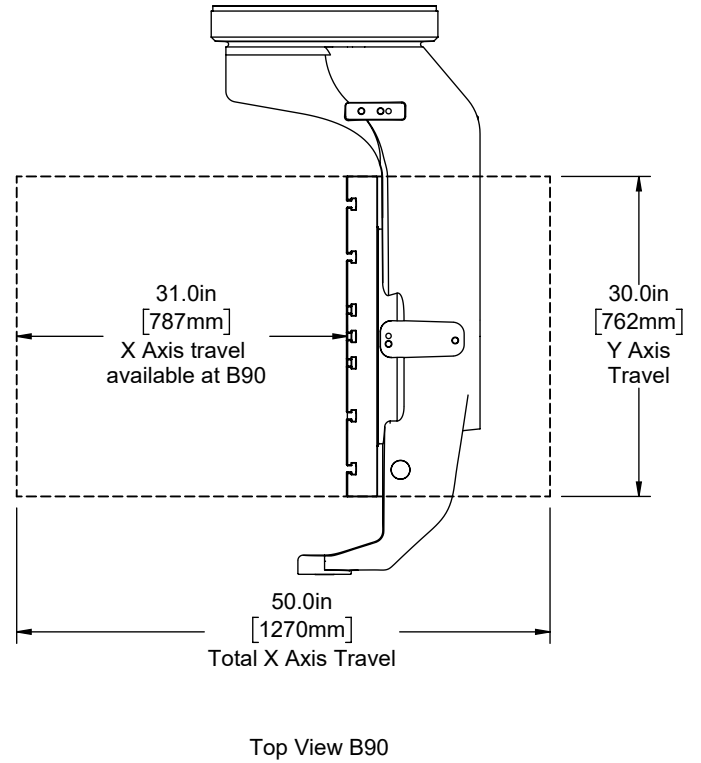


Updated C-Axis Uni-Body



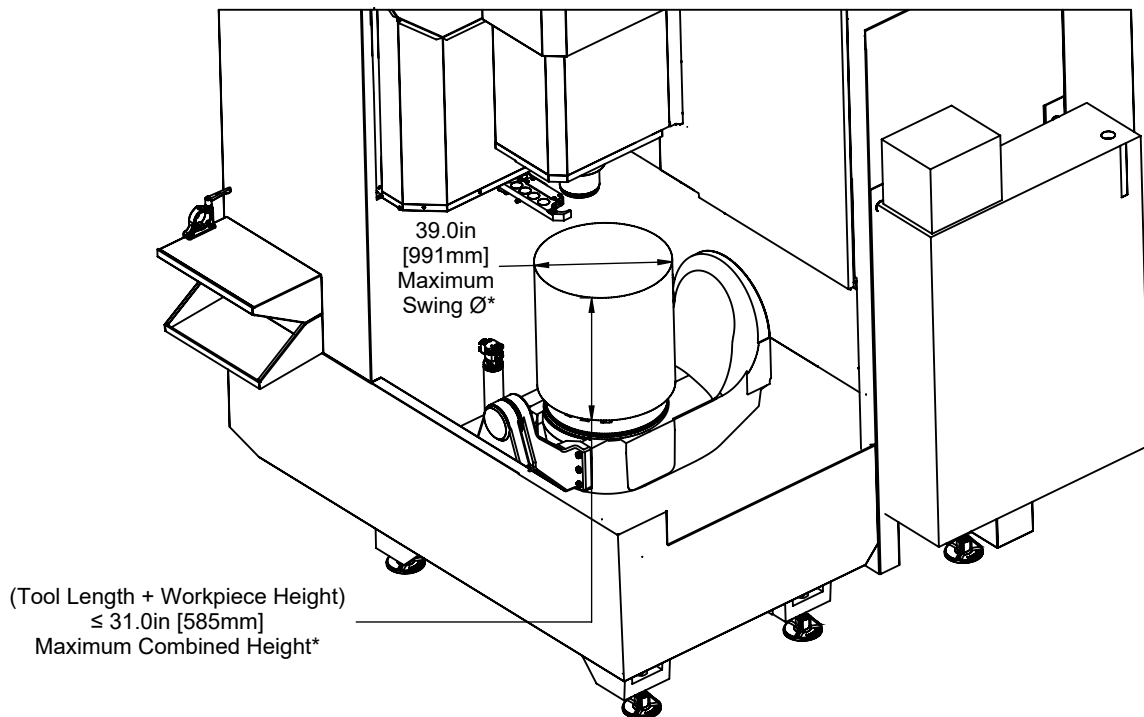


Clearance at B90



Work Envelope

Isometric reference only - not drawn to scale



***Note** - Maximum height and swing apply to B0 orientation only. Large workpieces, including ones within the stated work envelope, may interfere with other machine components as the tilt angle increases. If your part is larger than 30.0in [762mm] diameter or taller than 25in [635mm] it is recommended to review your application's suitability with your local HFO Applications team