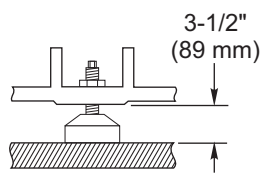
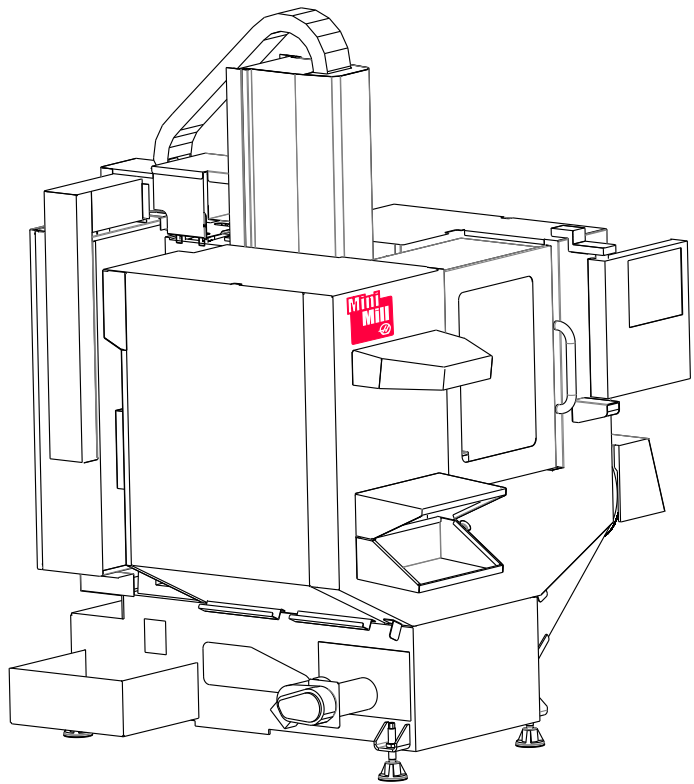
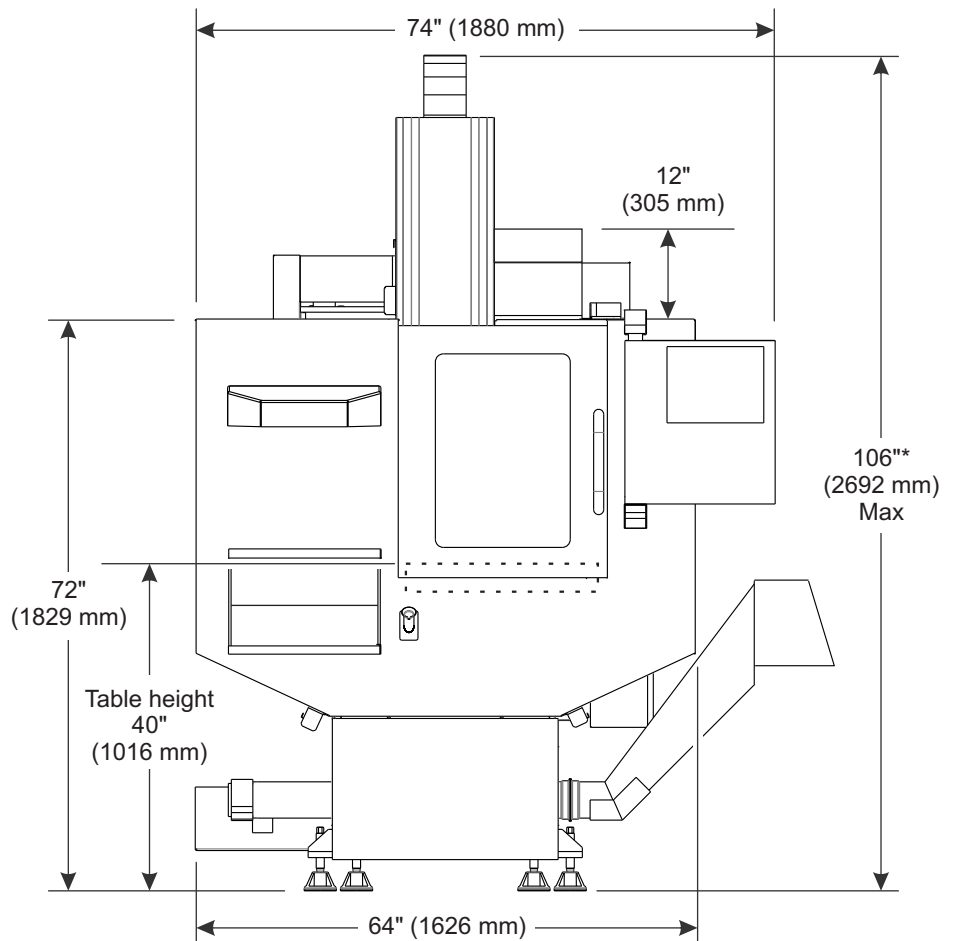
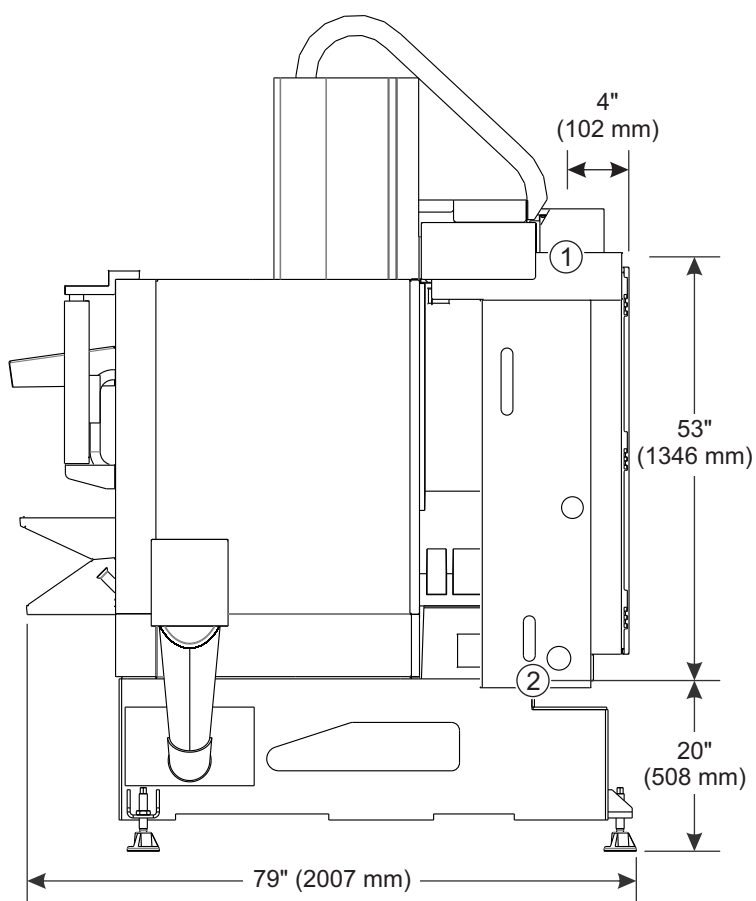
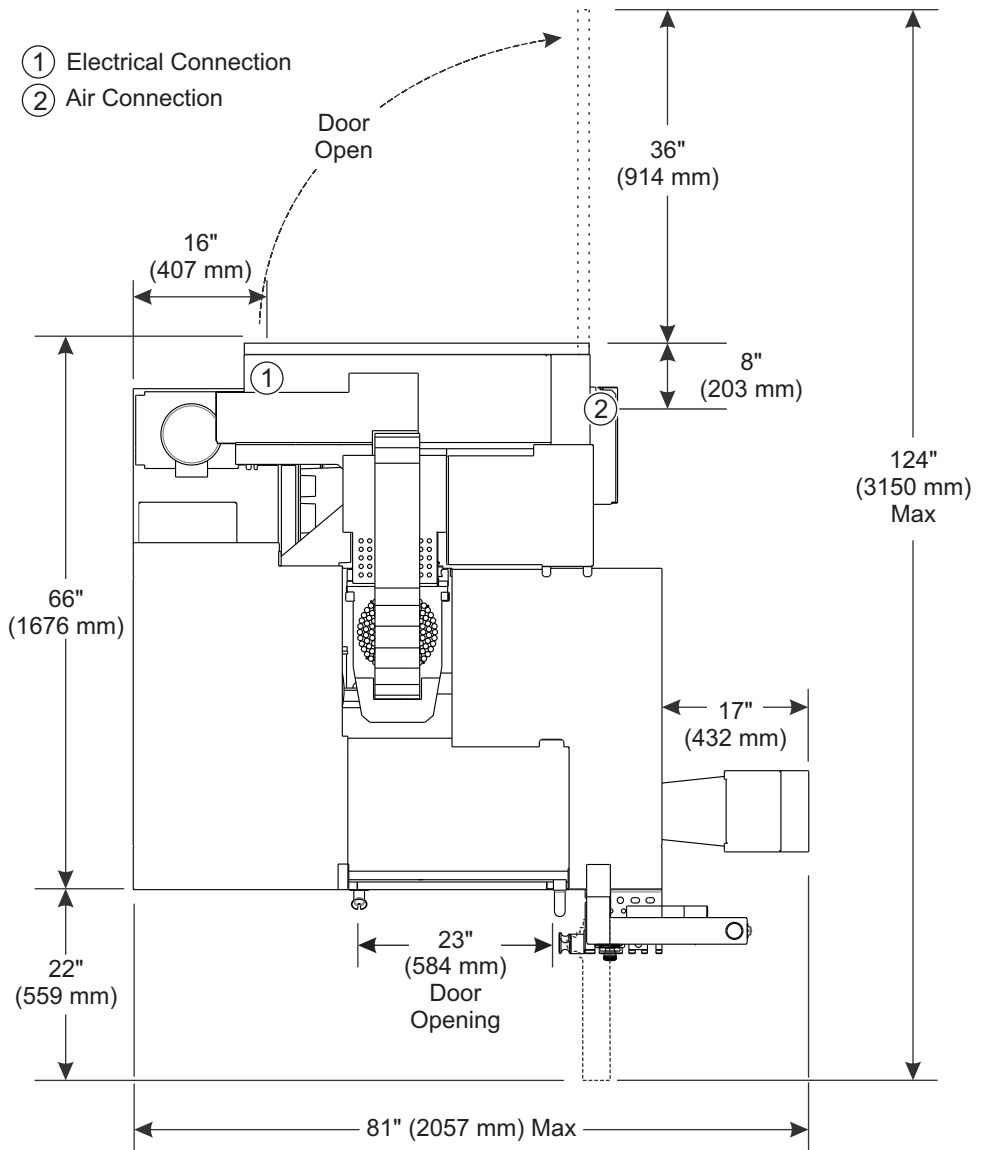


# Mini Mill/Super Mini Mill Machine Layout Drawing

For machines built after July 2015

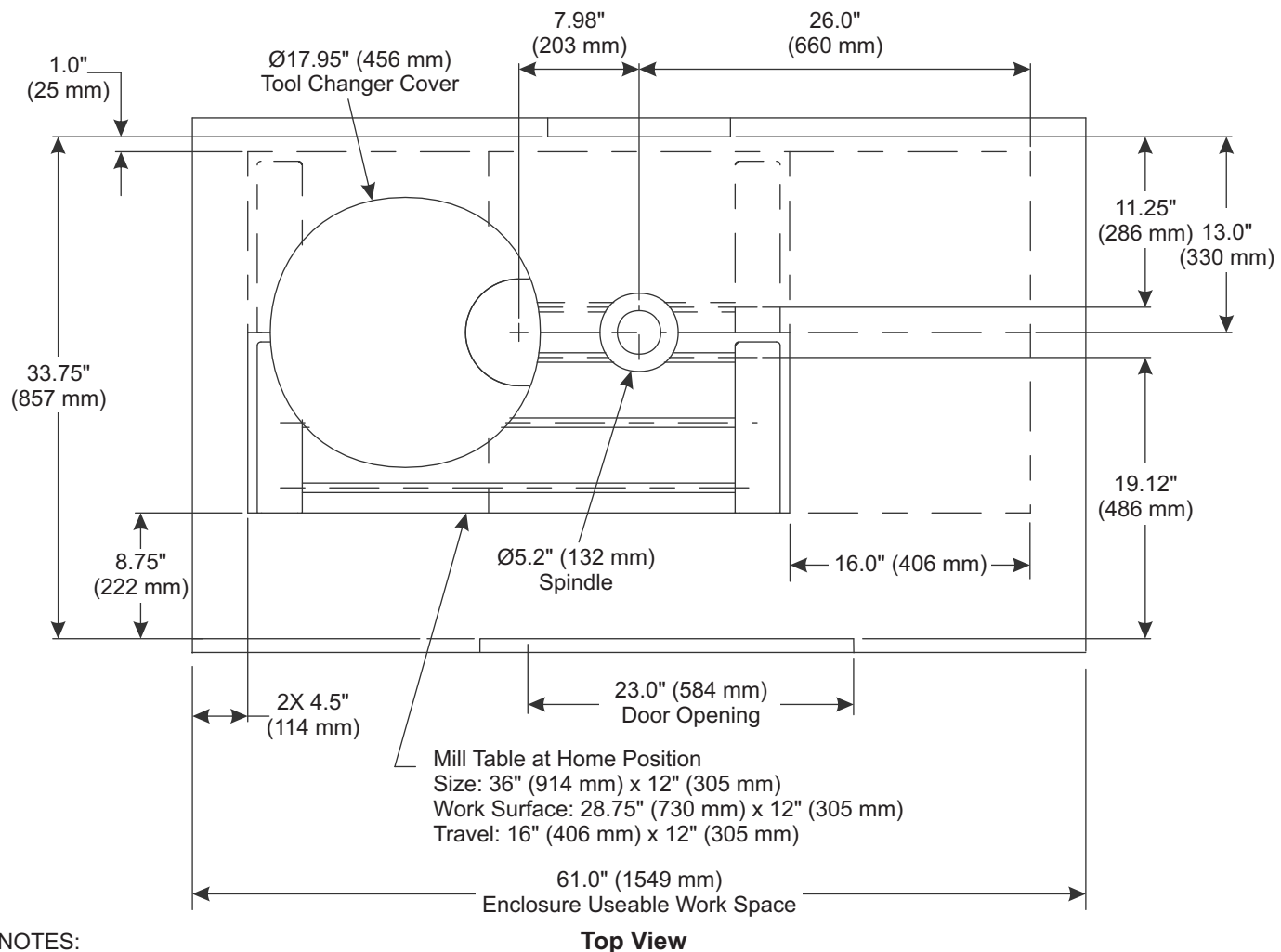
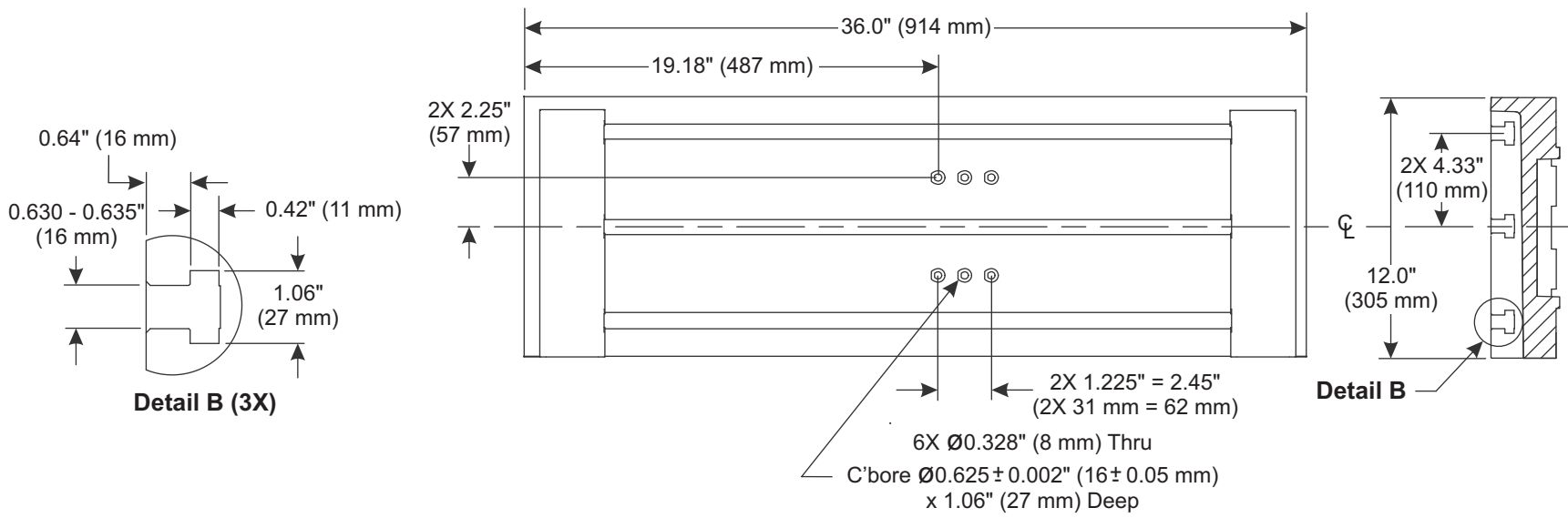
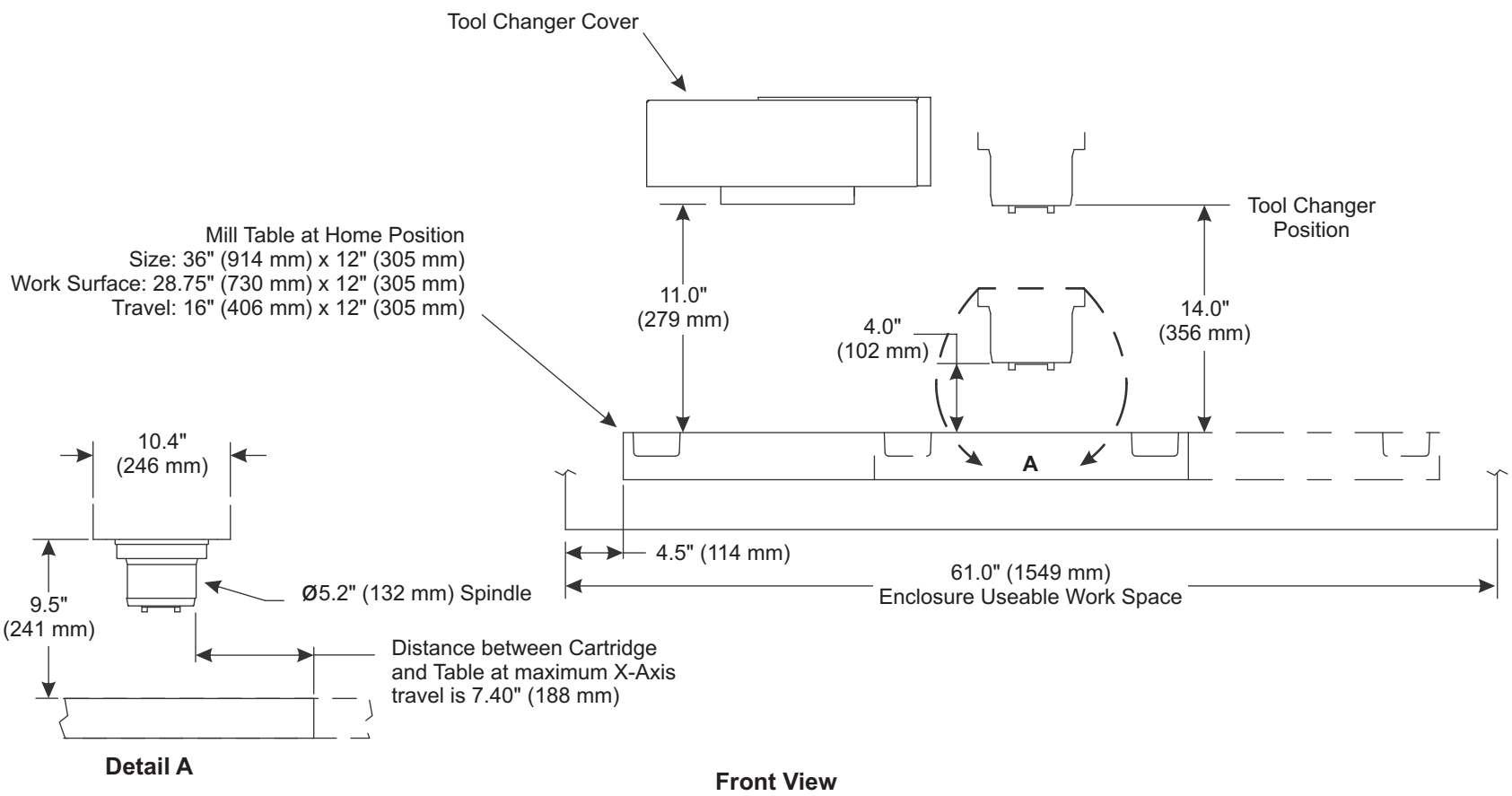


4X Leveling Pad Pin Dimension



\*Shipping height: 92" (2337 mm)  
Remove cable carrier to get to 80" (2032 mm)  
Remove regen housing to get to 79" (2007 mm)  
Spindle head is at 79" (2007 mm) in shipping position

## Mini Mill/Super Mini Mill Work Space Envelope



- NOTES:**
1. Table positions at Max X & Y travels
  2. Measurements are from the edge of Mill Table to nearest obstruction (1.e. enclosure, way cover, door, etc.)