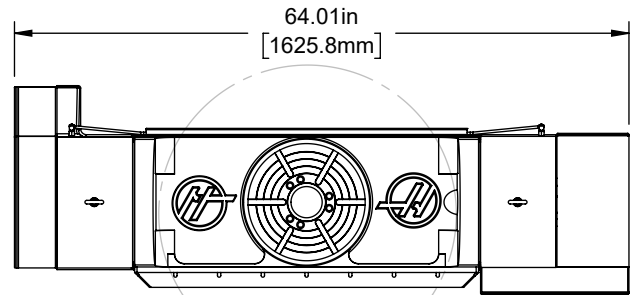
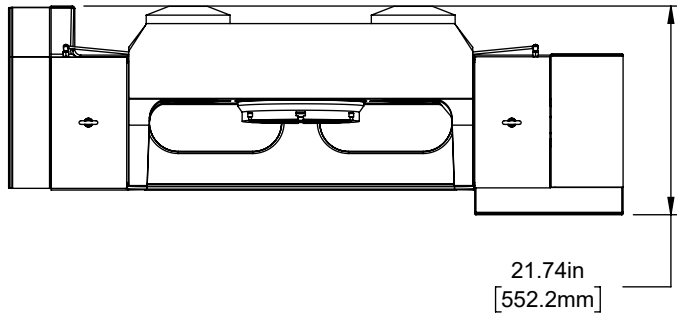


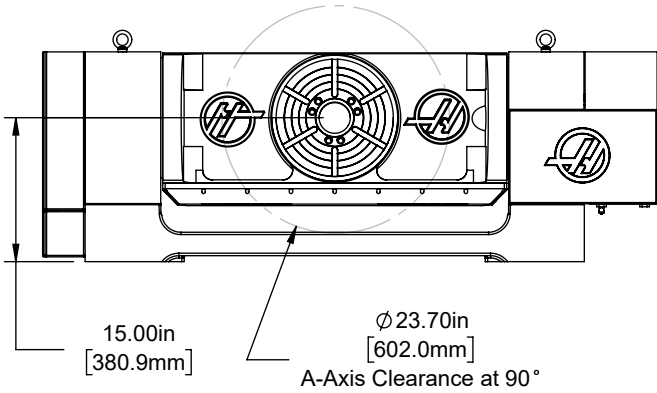
Top View

Top View
Platter Rotated 90° to Base

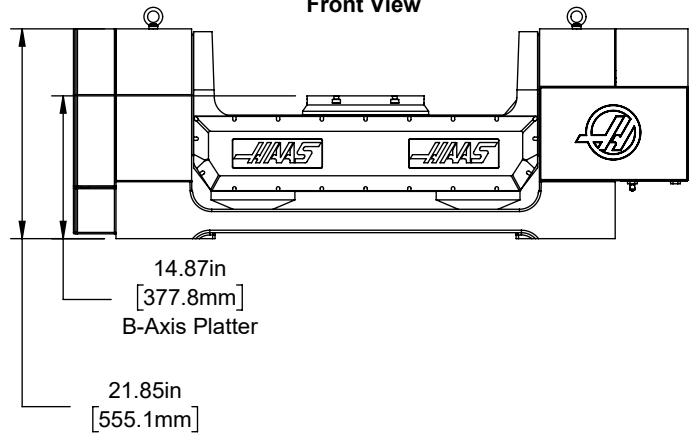


Ø 31.00in
[787.4mm]
B-Axis Part Swing
Max part swing reduced
at tilt angles greater than ±75°

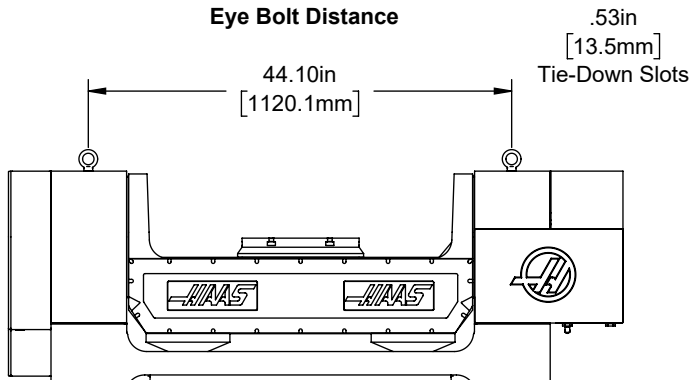
Front View
Platter Rotated 90° to Base



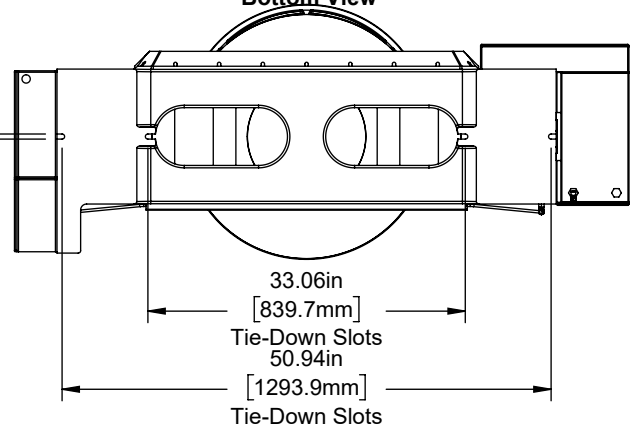
Front View

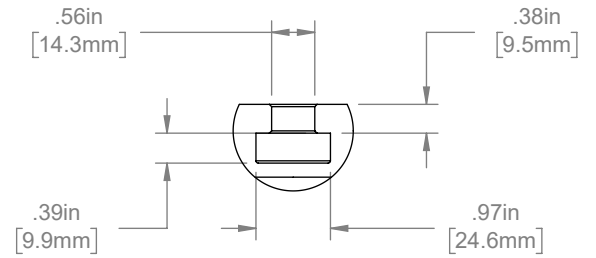
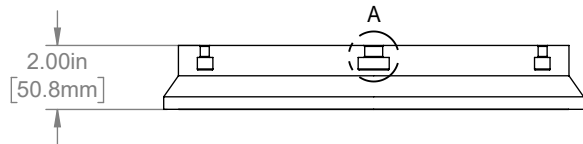
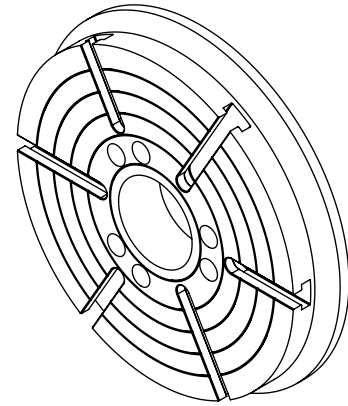
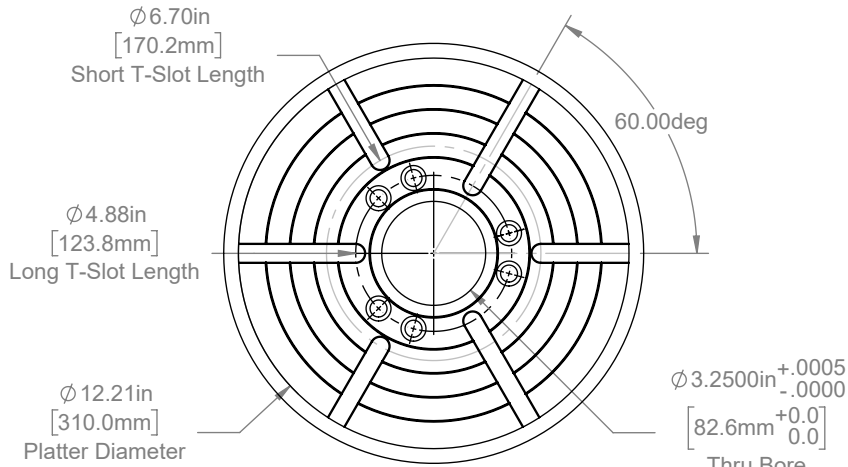


Eye Bolt Distance



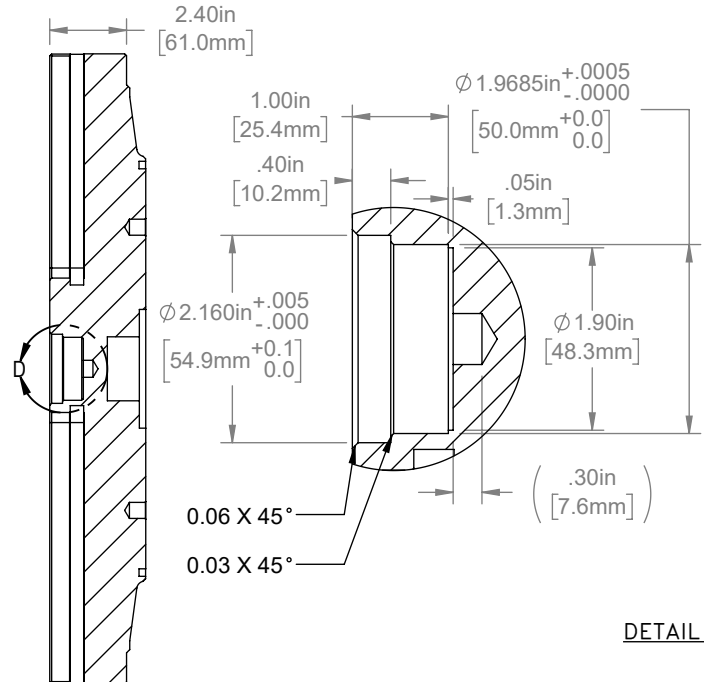
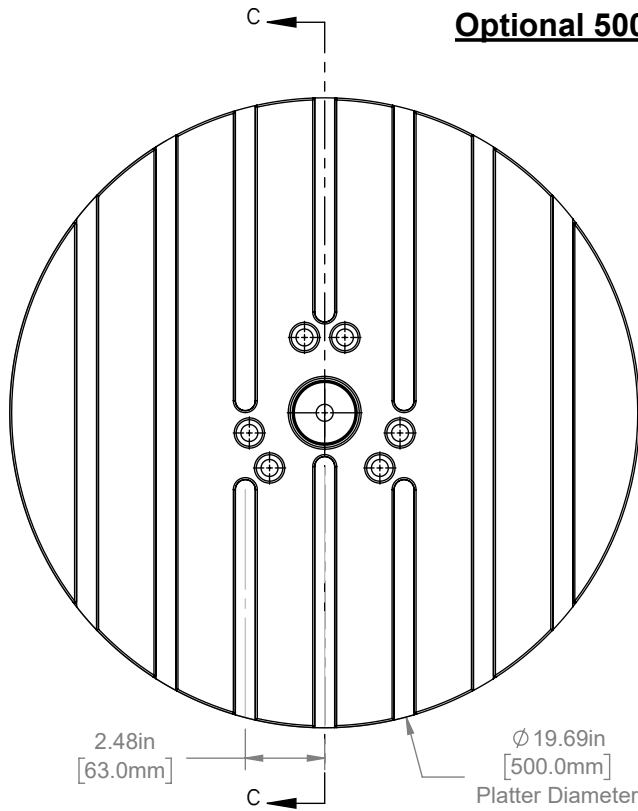
Bottom View



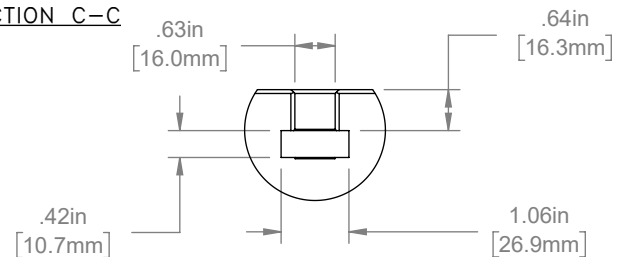
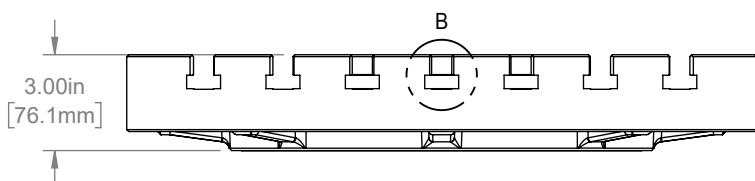


DETAIL A

Optional 500MM Platter



DETAIL D



DETAIL B

