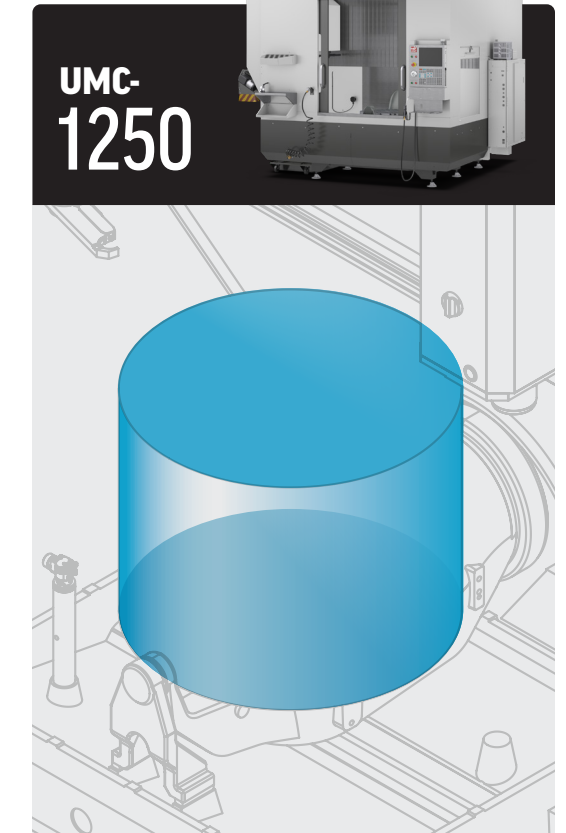
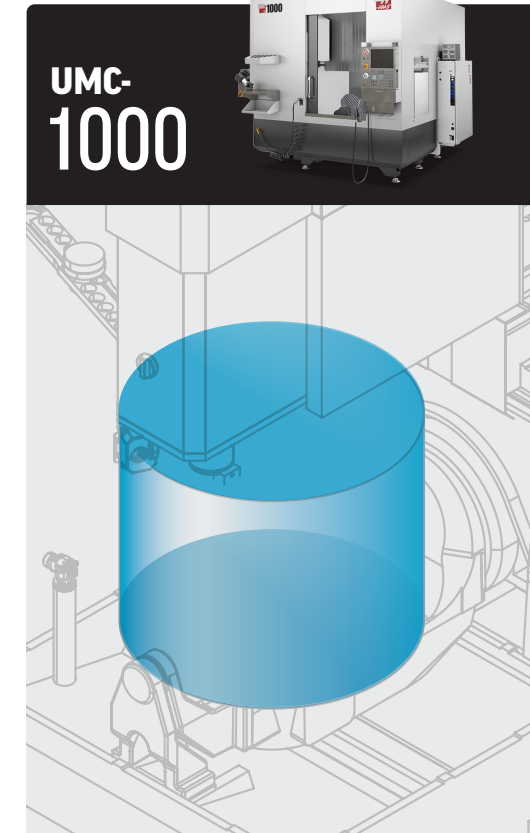
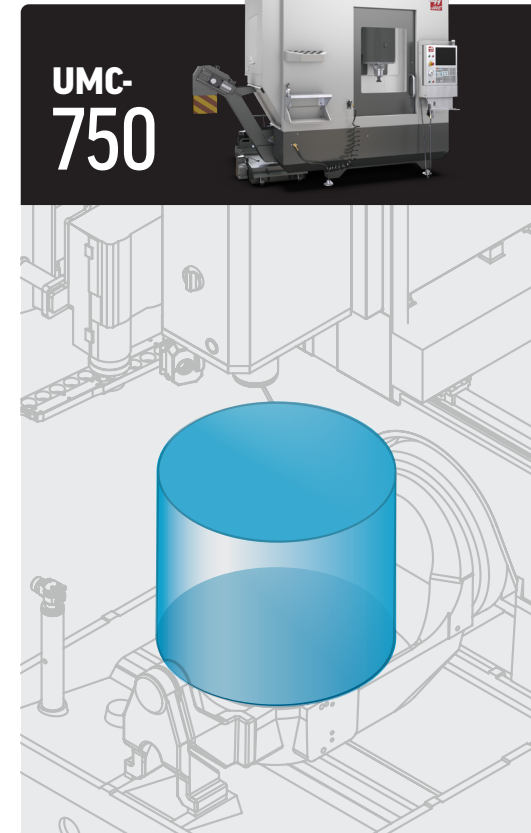
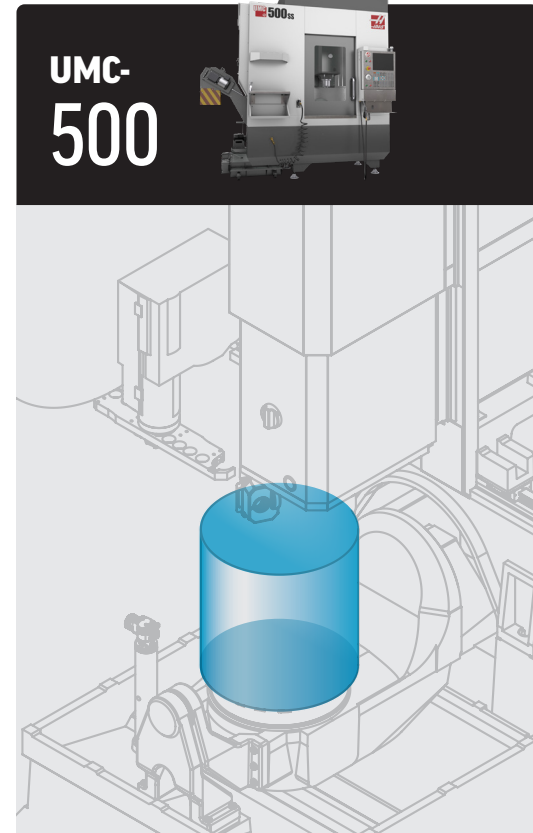
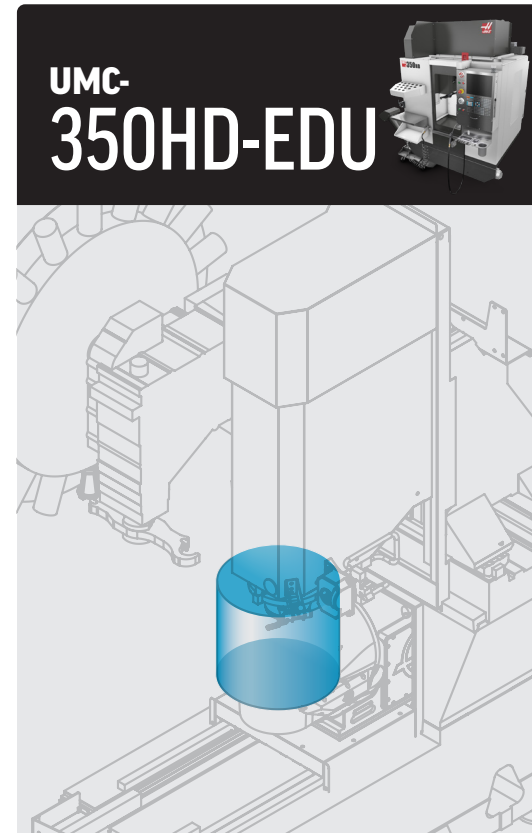


UMC Work Envelope Comparison



Work Envelope

Swing Ø14.5" / 368 mm
*Height 15" / 381 mm

Swing Ø18" / 457 mm
*Height 19" / 483 mm

Swing Ø27" / 686 mm
*Height 23" / 584 mm

Swing Ø33" / 838 mm
*Height 28" / 711 mm

Swing Ø39" / 991 mm
*Height 31" / 787 mm

Operating Footprint

Width 94" / 2388 mm
Depth 100" / 2540 mm

Width 115" / 2921 mm
Depth 106" / 2692 mm

Width 144" / 3658 mm
Depth 124" / 3150 mm

Width 147" / 3734 mm
Depth 131" / 3727 mm

Width 162" / 4115 mm
Depth 144" / 3658 mm

*Tool Length +
Workpiece

ATTENTION! The maximum part weight (part and workholding) should not exceed the maximum platter capacity of the machine, regardless of part size.

NOTE: Maximum height and swing apply to B0 orientation only. Large workpieces, including ones within the stated work envelope, may interfere with other machine components as the tilt angle increases. If your tool length + workpiece is close to or larger than the maximum work envelope, it is recommended to review your application's suitability with your local HFO Applications team.