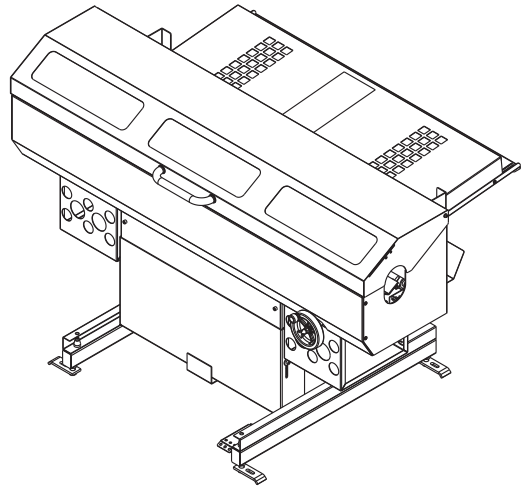
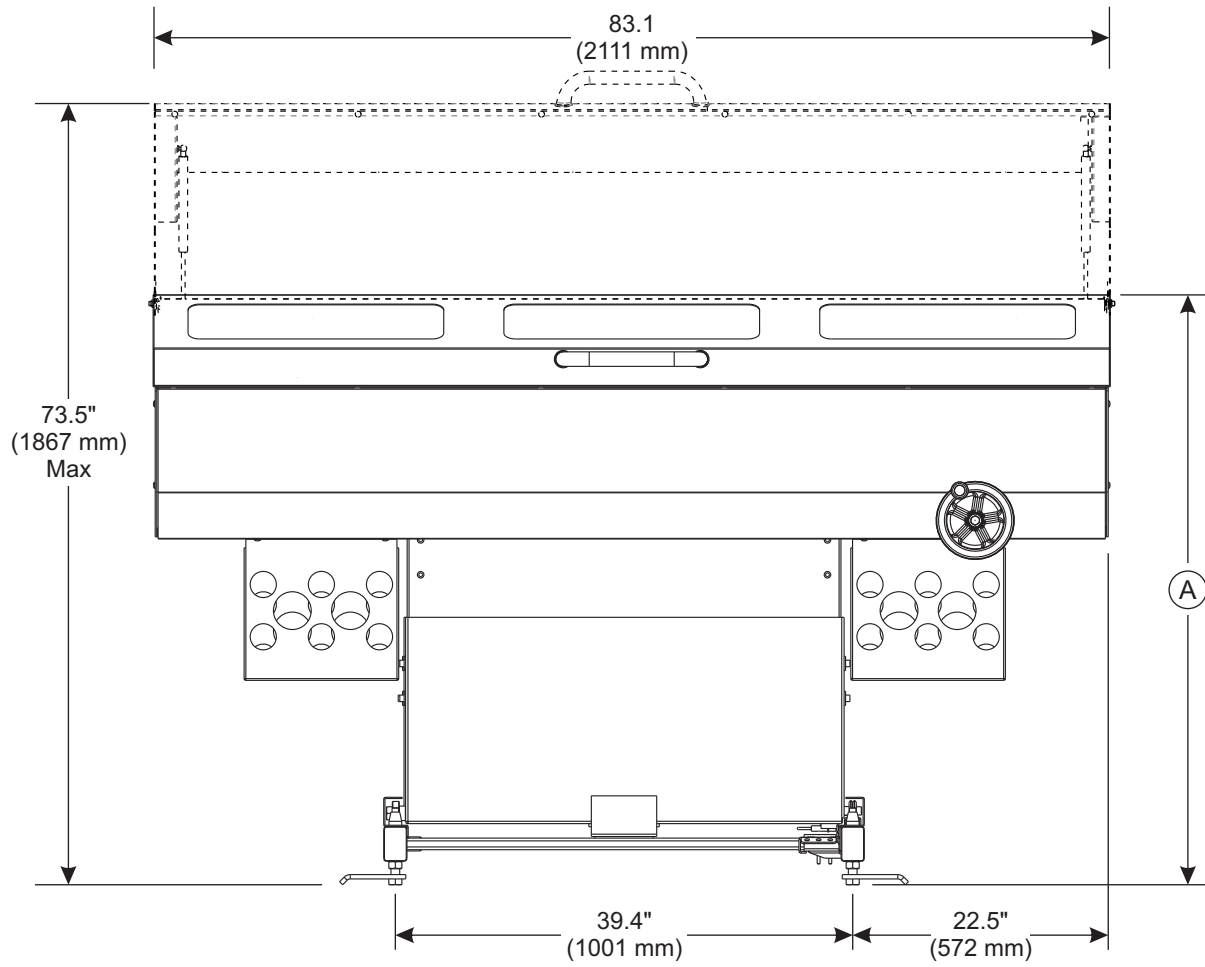




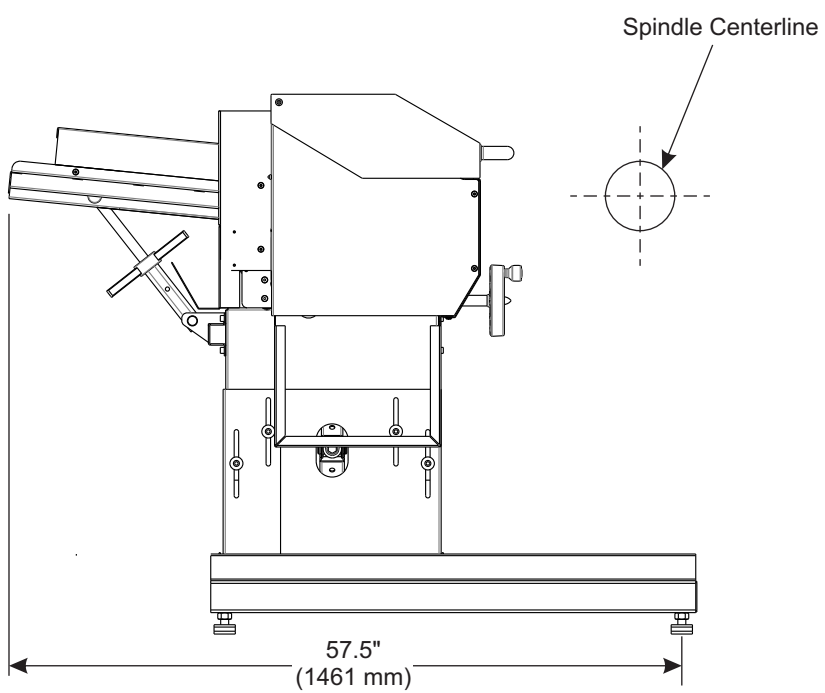
Haas Bar Feeder Machine Layout Drawing



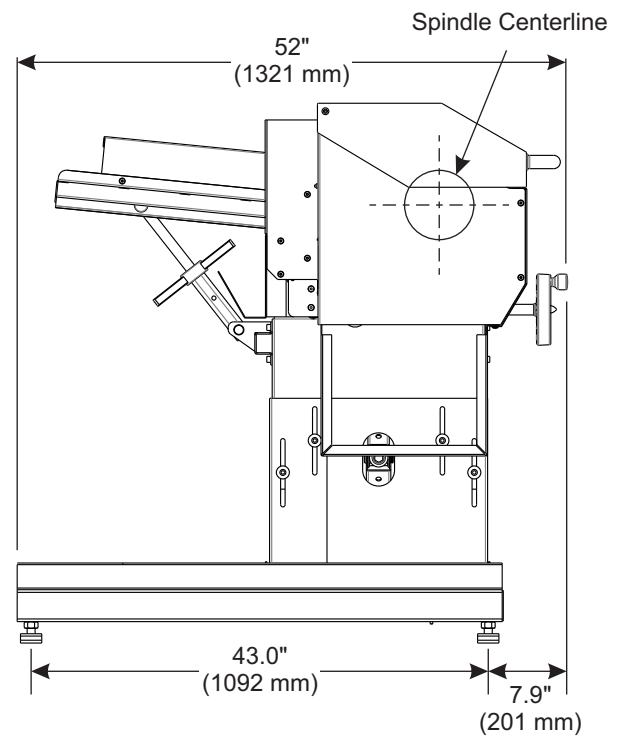
*See installation instructions for anchor pattern details



- (A) ST-10: 49.25" (1251 mm)
- ST-20/25: 48.5" (1232 mm)
- ST-30/35: 53.0" (1346 mm)



Retracted



Forward

