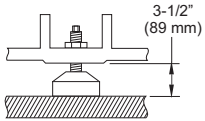
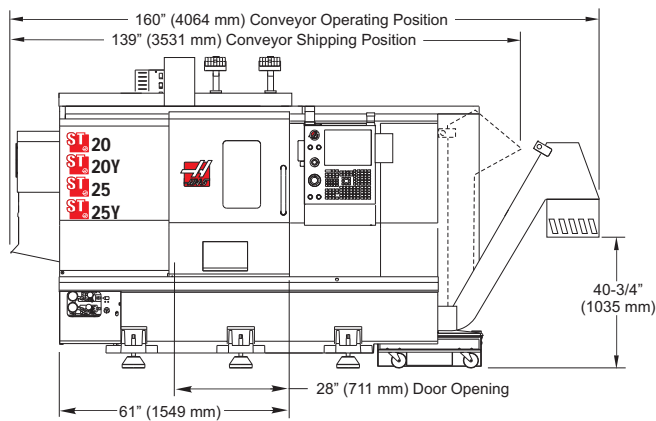
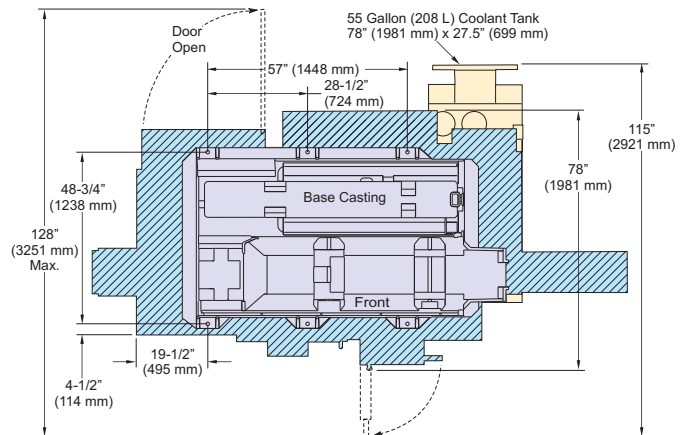
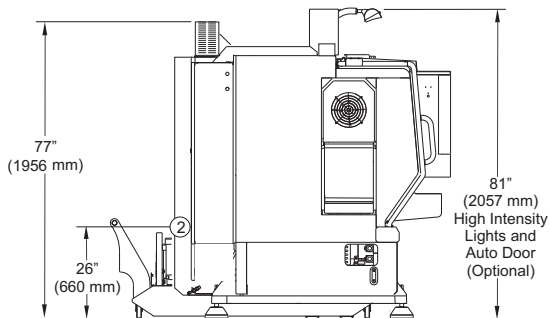
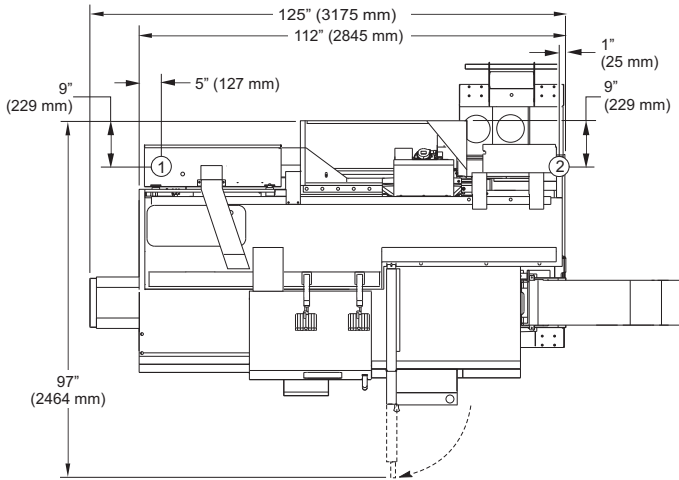
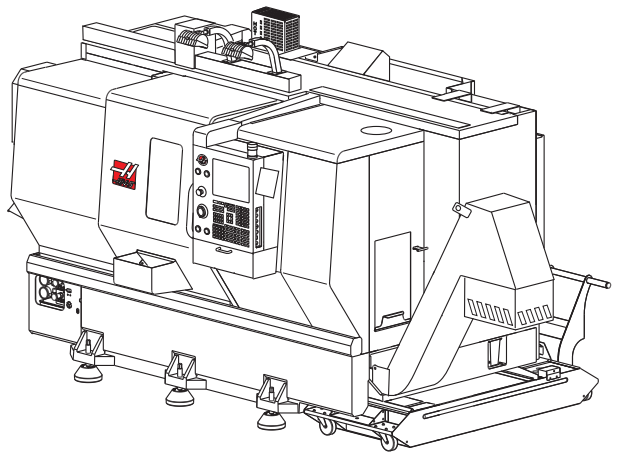


- ① Electrical Connection
- ② Air Connection

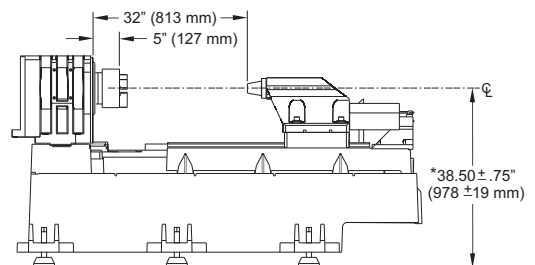
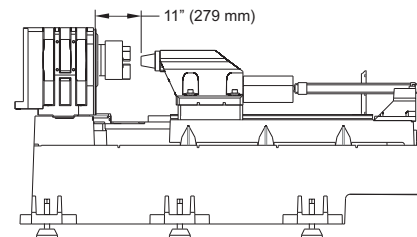


6X Leveling Pad Pin Dimension



Minimum distance required to remove conveyor from lathe 124" (3150 mm).

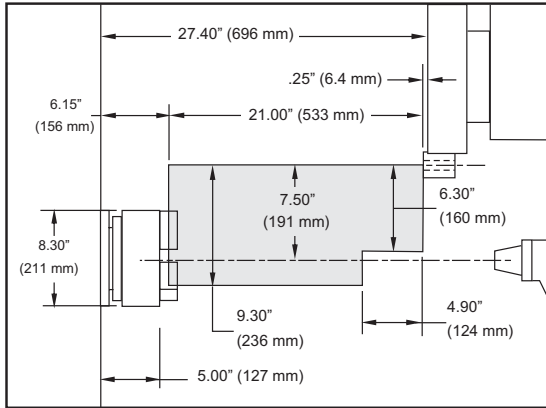
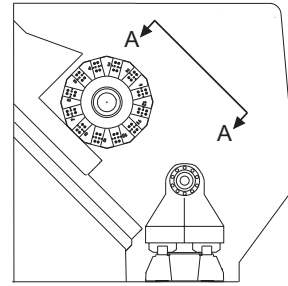
Minimum distance required to remove conveyor from lathe 75" (1905 mm) when conveyor is folded at 90 degrees and folded down as it is pulled out.



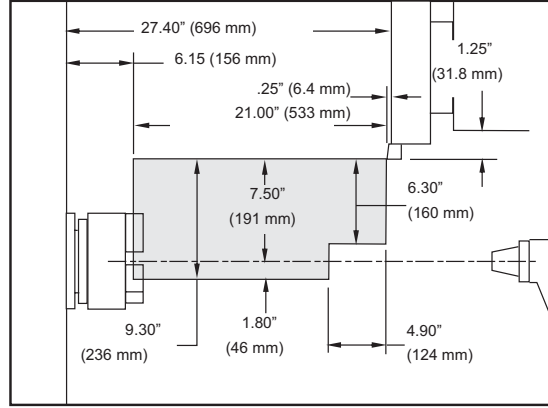
*Spindle center heights from floor, may vary due to leveling screw adjustments.

Tailstock Travel
#4 Morse Taper

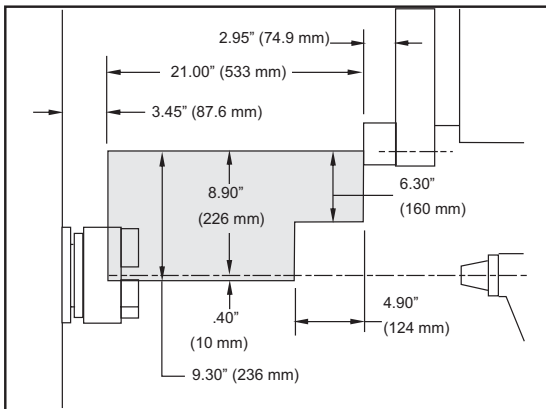
BOT/VDI Turrets



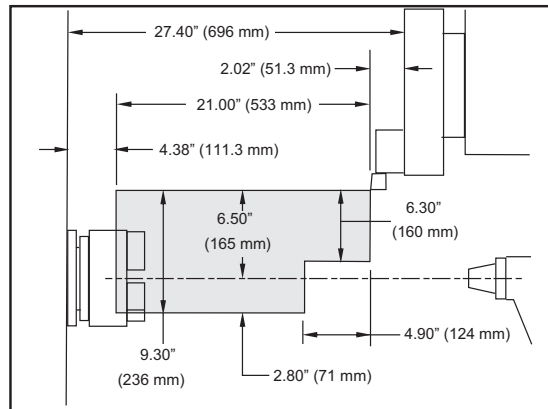
BOT ID



BOT OD

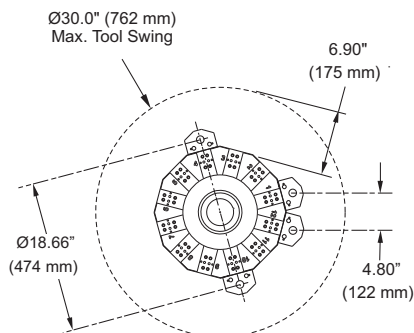


VDI ID

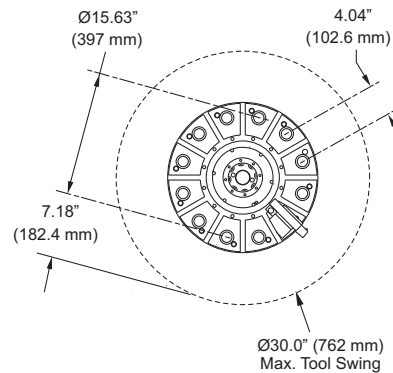


VDI OD

View A-A Cut Envelope Diagrams



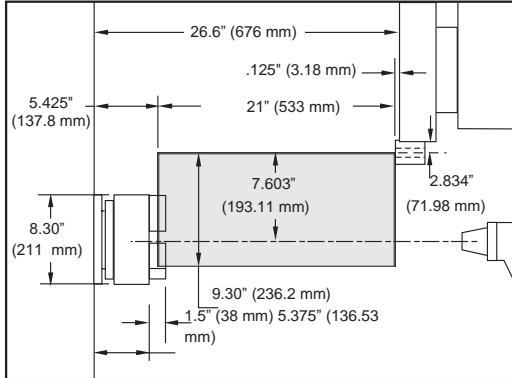
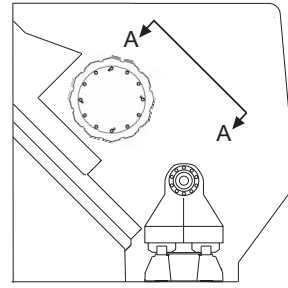
BOT Turret



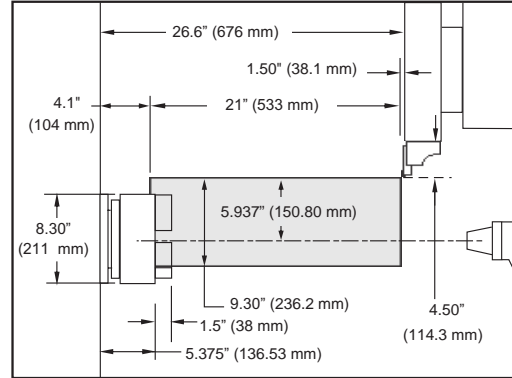
VDI Turret

Tool Swing Interference

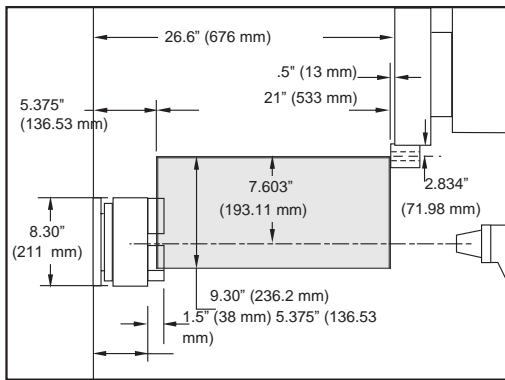
BMT Turret



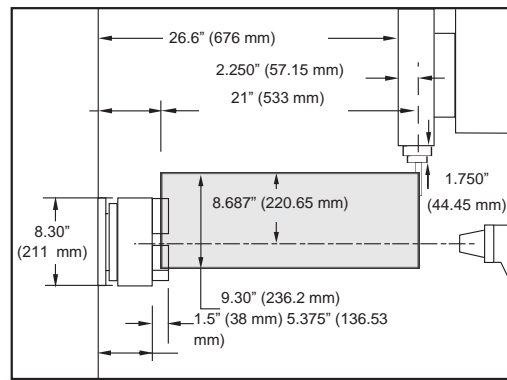
ID Static Tool



OD Static Tool

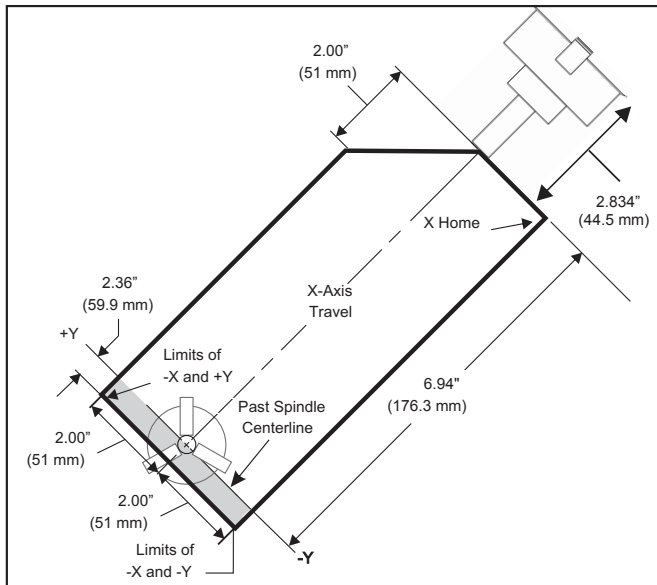


90 Degree Live Tool

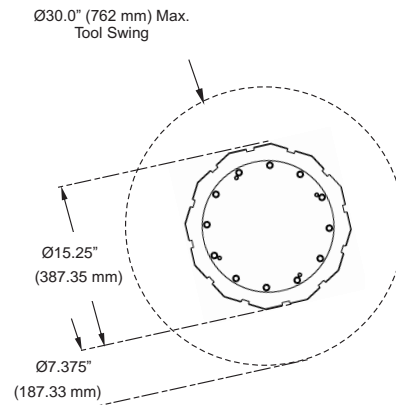


Straight Live Tool

View A-A Cut Envelope Diagrams



Y-Axis Travel Envelope
Same dimensions with 90 Degree Live Tool



Tool Swing Interference