



Lathes:

ST Series

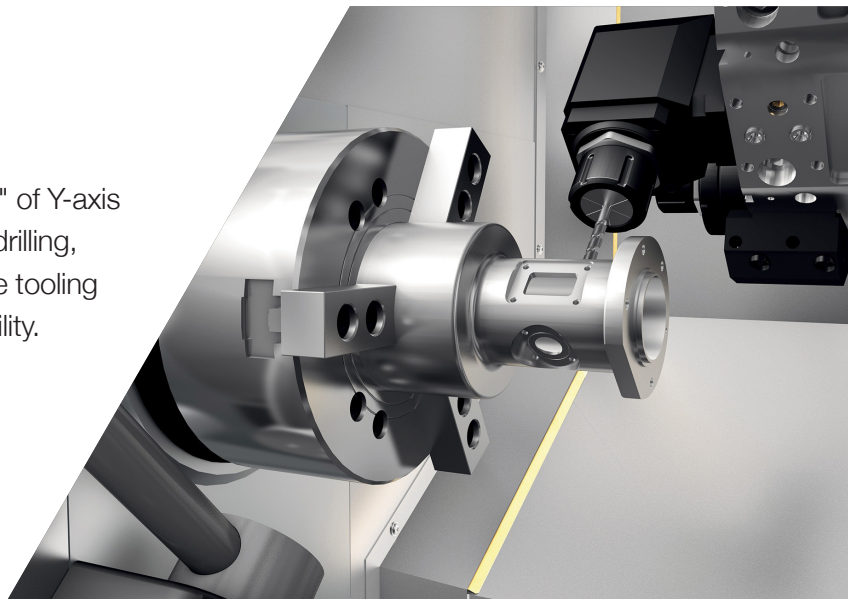
Y - A X I S

High-Performance Turning for Any Shop



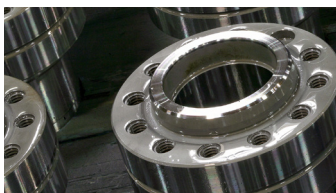
ST Series Y-AXIS

The Haas ST Series Y-axis turning centers provide 4" of Y-axis travel (± 2 " from the centerline) for off-center milling, drilling, and tapping, and come equipped with 4000-rpm live tooling and a synchronized C axis for versatile 4-axis capability.



6.5"-15" / **1.75"-4"** / **2.4k-6k** / **15-40**
CHUCK SIZE BAR CAPACITY RPM HP

High-Performance, Y-Axis Turning Centers



SPINDLES

Reliable, high-performance spindles – designed and manufactured by Haas.

- ST-10Y**
 - 6000-rpm, 6.5" Chuck, 1.75" Bar
- ST-15Y**
 - 4000-rpm, 8.3" Chuck, 2.5" Bar
- ST-20Y**
 - 4000-rpm, 8.3" Chuck, 2.0" Bar
 - 5000-rpm, 8.3" Chuck, 2.0" Bar*
- ST-25Y**
 - 3400-rpm, 10" Chuck, 3.0" Bar
- ST-30Y**
 - 3400-rpm, 10" Chuck, 3.0" Bar
 - 3400-rpm, Gearbox, 10" Chuck*
 - 4500-rpm, 10" Chuck, 3.0" Bar*
- ST-35Y**
 - 3200-rpm, 12" Chuck, 4.0" Bar
 - 2400-rpm, Gearbox, 4.0" Bar*



TURRETS & LIVE TOOLING

Haas Y-axis lathes are equipped with a 12-station turret, and include 4000-rpm live tooling.

- STANDARD**
 - 12-Station BMT65
 - 12-Station Hybrid (ST-10Y/15Y)
- OPTIONAL**
 - 24-Station BMT65 (Half-Index)
 - 12-Station VDI (ST-10Y/15Y)



CHIPS & COOLANT

Features and options to help your machine do what it does best – make chips efficiently.

- High-Pressure Coolant*
- Belt-Type Chip Conveyor*
- Automatic Coolant Refill System*
- Enclosure Exhaust System*



HAAS CONTROL

Faster, smarter, and better than ever, with the goal of keeping your spindle turning.

- Ethernet Connectivity
- User-Definable Macros*
- Color Remote Jog Handle*
- Expandable Memory*

Available Models

ST-10Y/ST-15Y
 12" x 16" Max Capacity
 ST-10Y
 ST-15Y

ST-20Y/ST-25Y
 12" x 21" Max Capacity
 ST-20Y
 ST-25Y

ST-30Y/ST-35Y
 18" x 23" Max Capacity
 ST-30Y
 ST-35Y

BUILD & PRICE yours
 at www.HaasCNC.com

HAAS