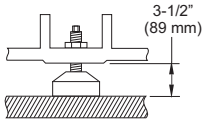
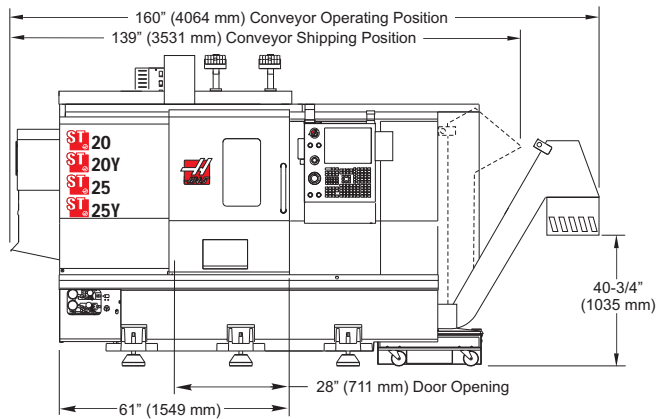
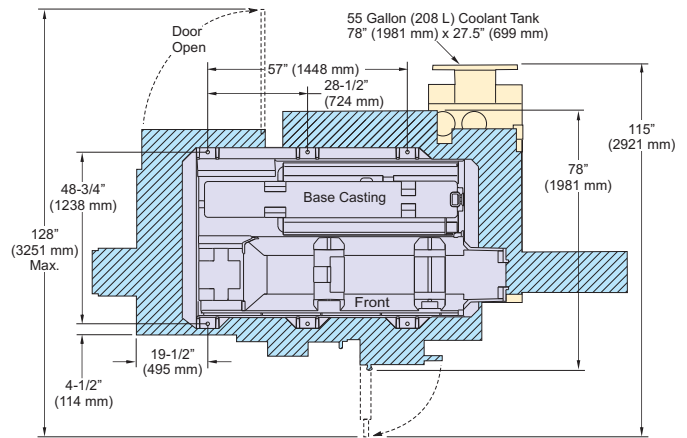
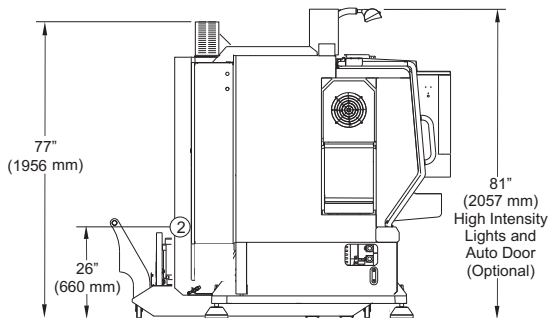
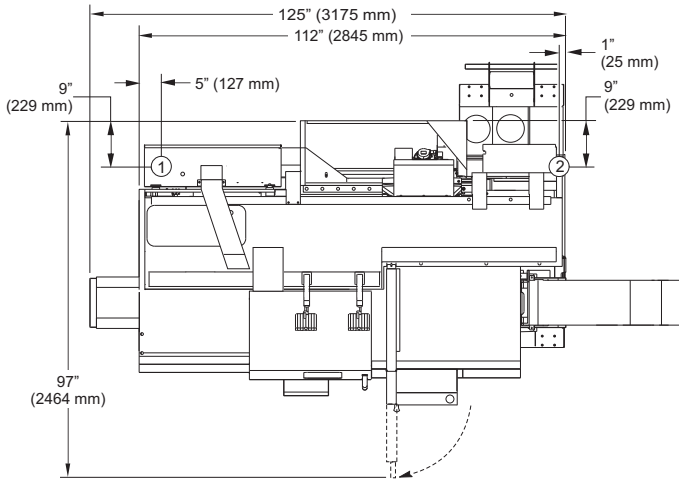
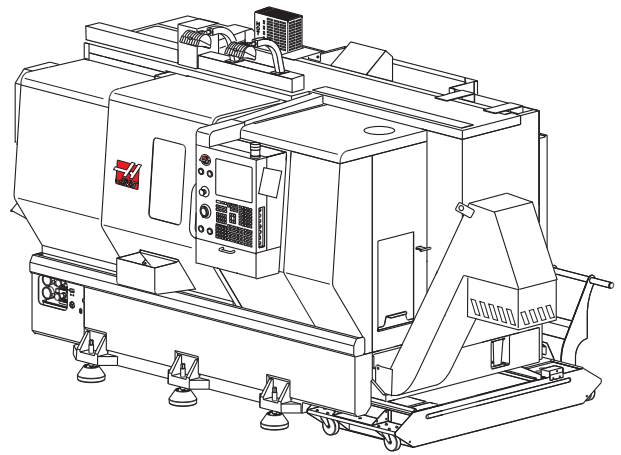


- ① Electrical Connection
- ② Air Connection

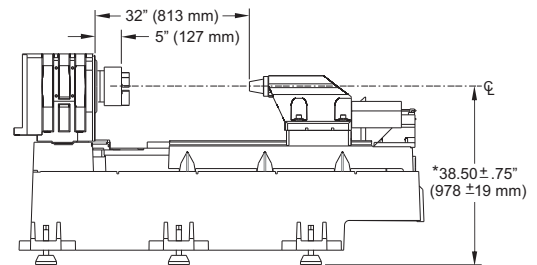
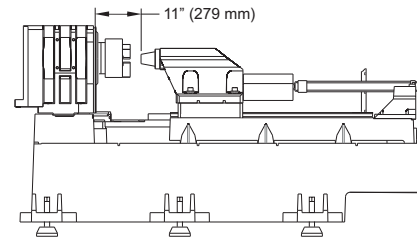


6X Leveling Pad Pin Dimension



Minimum distance required to remove conveyor from lathe 124" (3150 mm).

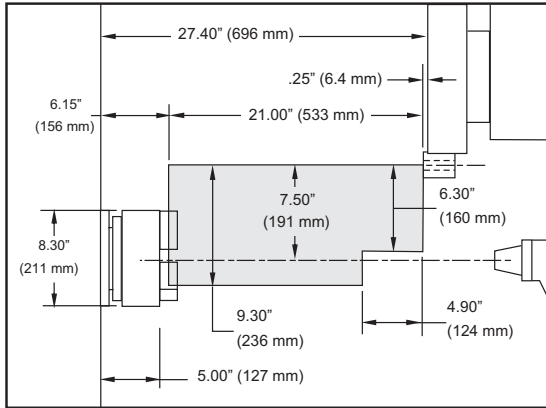
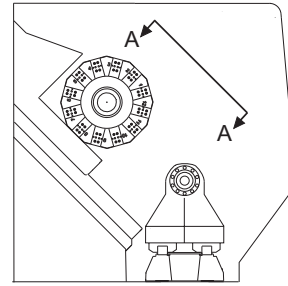
Minimum distance required to remove conveyor from lathe 75" (1905 mm) when conveyor is folded at 90 degrees and folded down as it is pulled out.



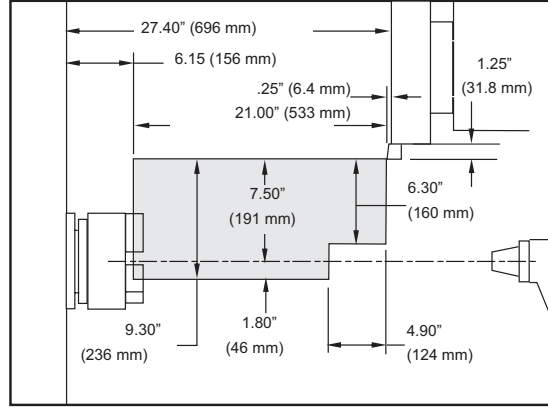
\*Spindle center heights from floor, may vary due to leveling screw adjustments.

Tailstock Travel  
#4 Morse Taper

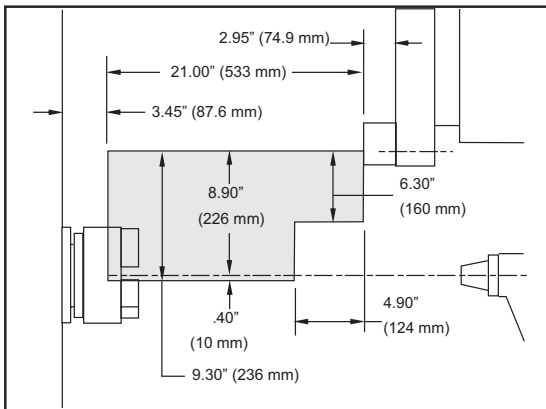
# BOT/VDI Turrets



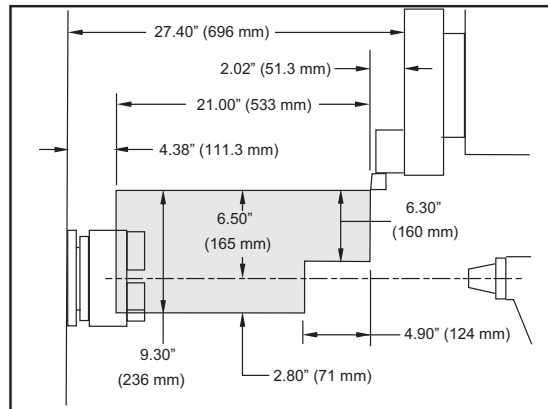
BOT ID



BOT OD

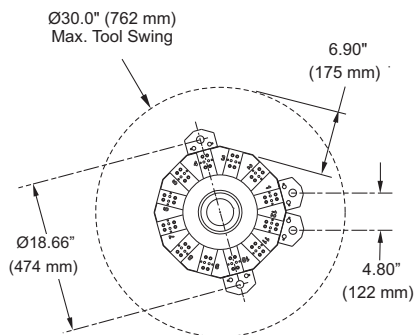


VDI ID

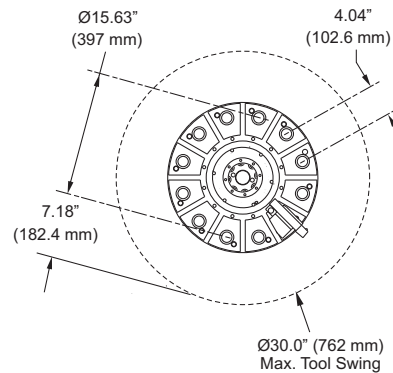


VDI OD

## View A-A Cut Envelope Diagrams



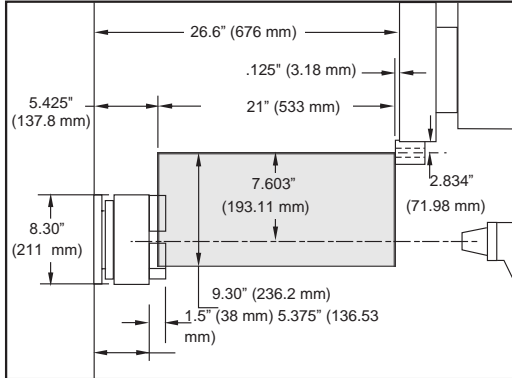
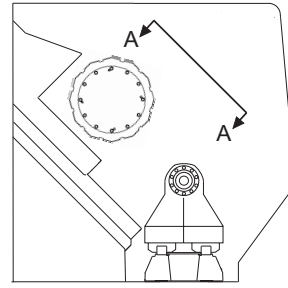
BOT Turret



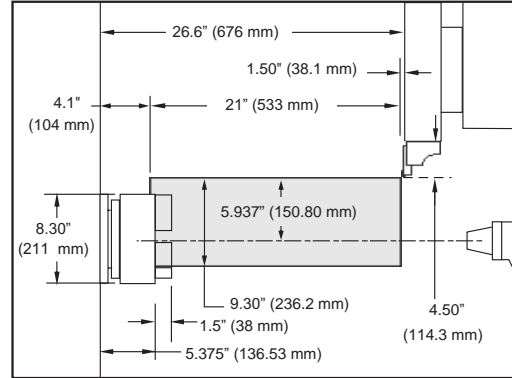
VDI Turret

## Tool Swing Interference

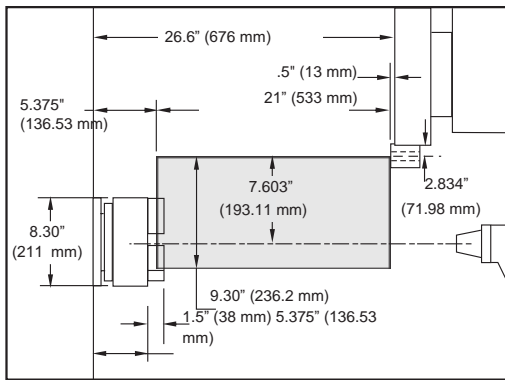
# BMT Turret



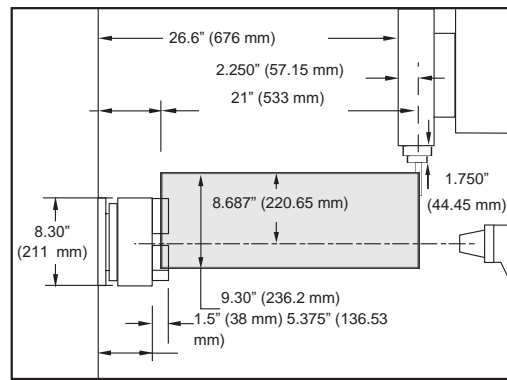
**ID Static Tool**



**OD Static Tool**

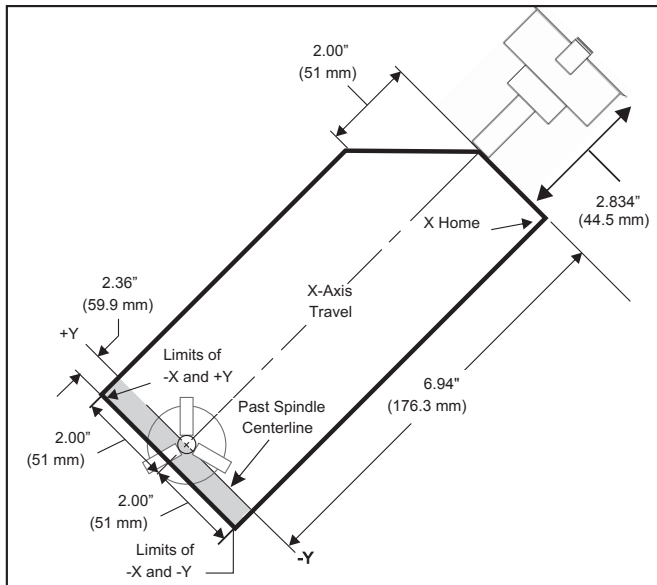


**90 Degree Live Tool**



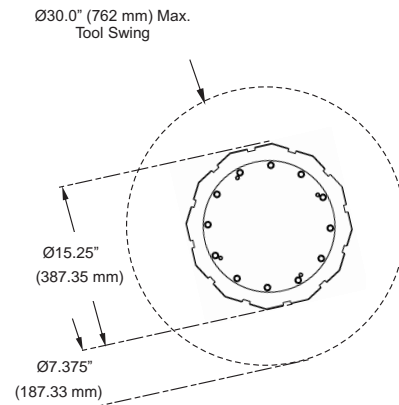
**Straight Live Tool**

## View A-A Cut Envelope Diagrams



**Y-Axis Travel Envelope**

Same dimensions with 90 Degree Live Tool



**Tool Swing Interference**