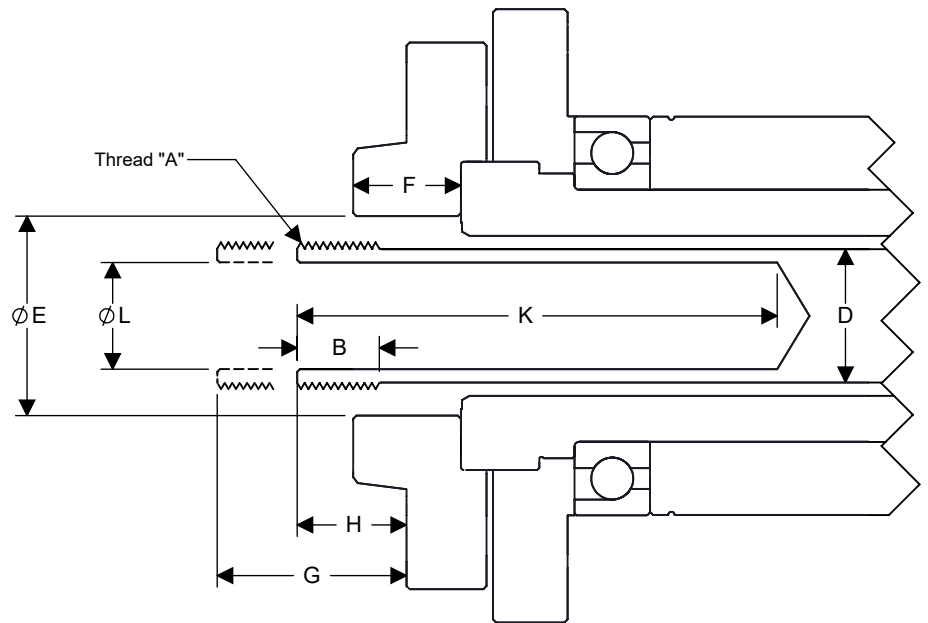
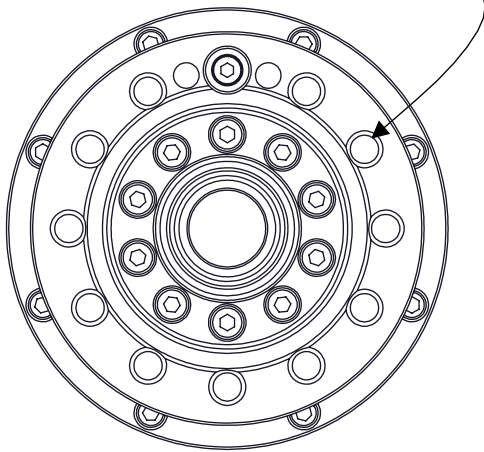


BHC and Spindle Nose dimensions per
American Standard Bulletin ASA B5.9 1960



The following dimensions should be used as a reference only. Haas uses many different vendors for our drawtube assemblies. If any custom workholding is required Haas recommends you retrieve the exact dimensions from your delivered machine.

SUB-SPDL-A2-5 for ST-10 to ST-25			
DESCRIPTION	DIMENSION	SAE	METRIC
MAIN OR SUB SPINDLE & TYPE		Sub-Spindle / A2-5	
DIAMETER OF THREAD	A	1.378"	35 MM* or 40 MM
THREAD PITCH	A	0.059"	1.5 MM
INTERNAL OR EXTERNAL	A	External	
LENGTH OF THREAD	B	0.50"	12.7 MM
DRAWTUBE INNER DIAMETER	C	N/A - SOLID DRAWBAR	
DRAWTUBE OUTER DIAMETER	D	1.25"	31.75MM
COUNTERBORE INNER DIAMETER	E	1.870"	47.5 MM
COUNTERBORE DEPTH	F	1.01"	25.65MM
EXTENDED DISTANCE TO NOSE	G	1.465"	37.2 MM
RETRACTED DISTANCE TO NOSE	H	0.874"	22.2 MM
FROM SPINDLE FACE TO BACK OF UNION	I	11.72	297.7MM
FROM SPINDLE FACE TO UNION ADAPTOR	J	16.84	427.7MM
EJECTOR POCKET DEPTH	K	4.5"	114.3MM
EJECTOR POCKET DIAMETER	L	1.0"	25.4MM
*M35 applies to Sub-Spindles made after July 2019 - M40 applies to older vintages			

*Due to continual product improvements, machine dimensions are subject to change without notice.