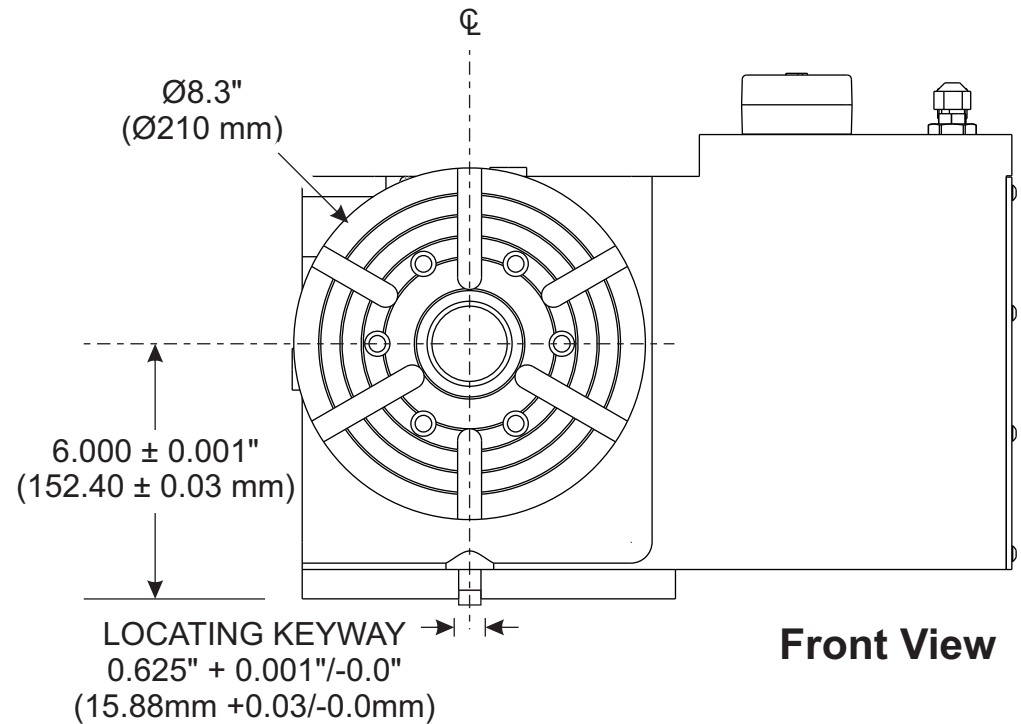
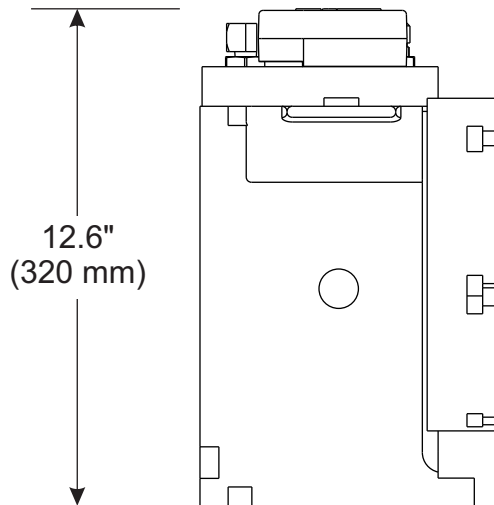
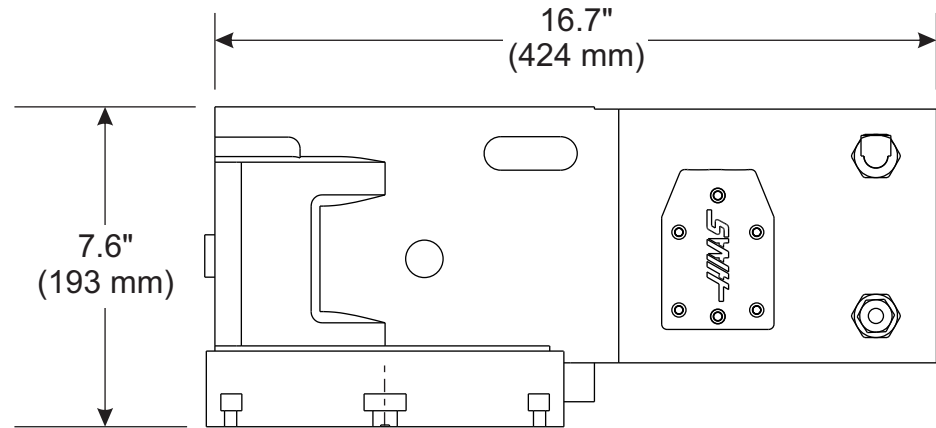
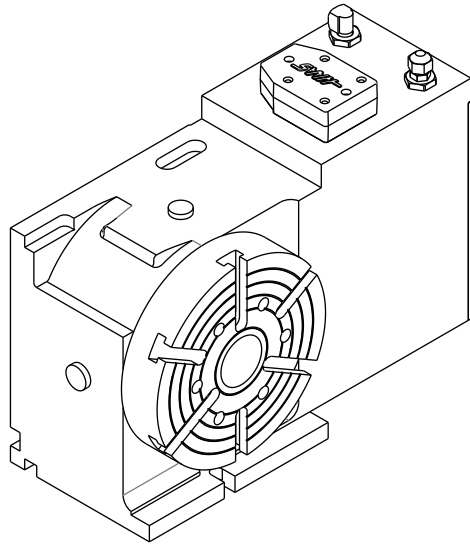
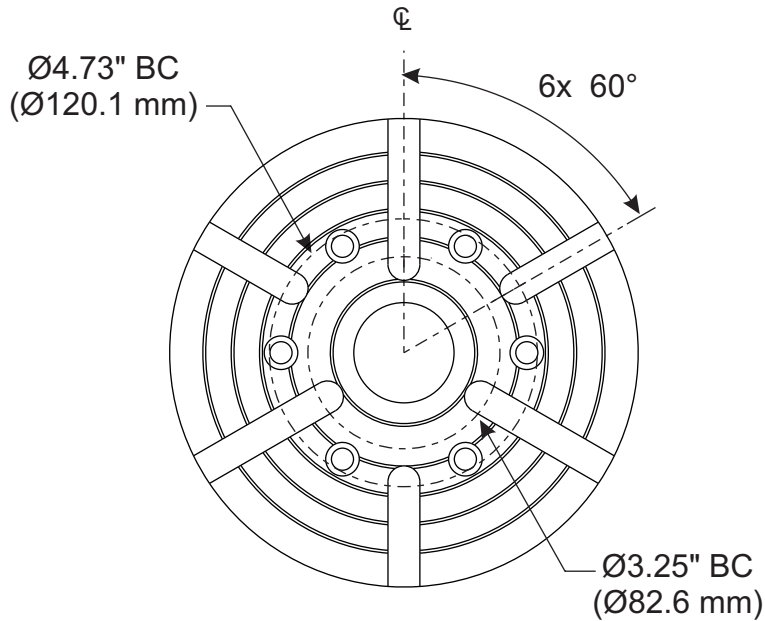


HRC210 Machine Layout Drawing

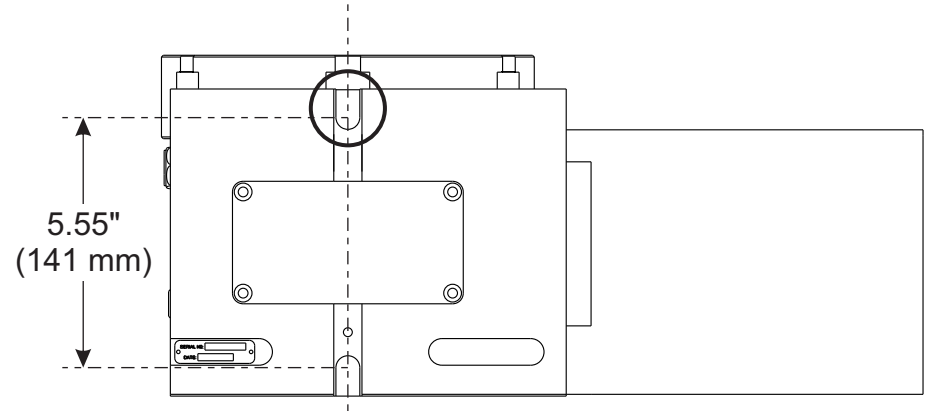


HRC210 Machine Layout Drawing

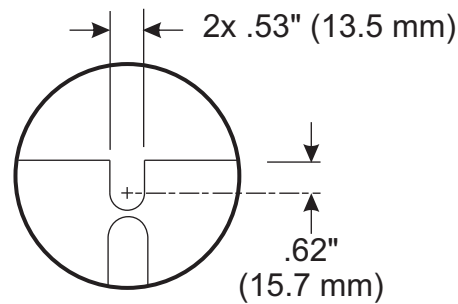
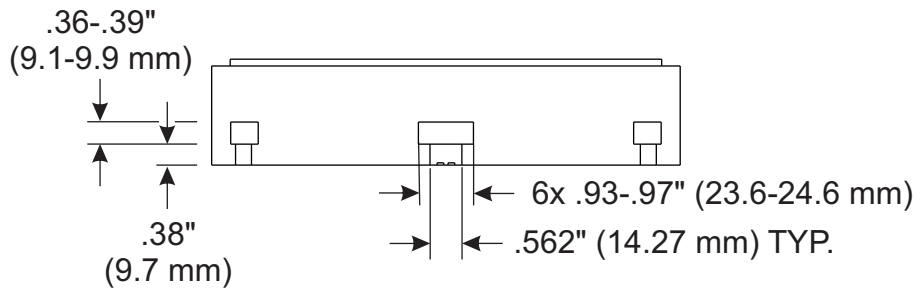
HRC210 Platter Dimensions



Through Hole
 $\varnothing 2.0000'' +0.0005''/-0.0''$
 $\varnothing 50.800\text{mm} +0.013\text{mm}/-0.0\text{mm}$



Bottom View



Front and Rear
 Tie-Down Slots

For mounting instructions,
 see Rotary Operator's Manual.

Go to www.haascnc.com
 for further rotary specifications.

