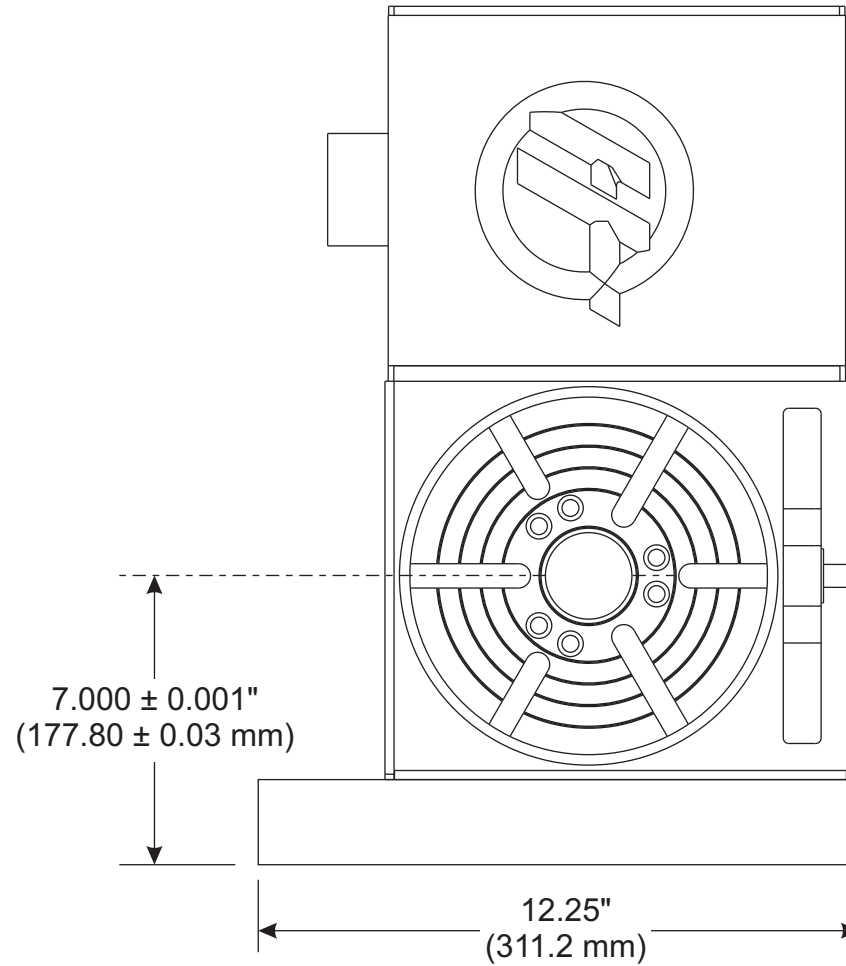
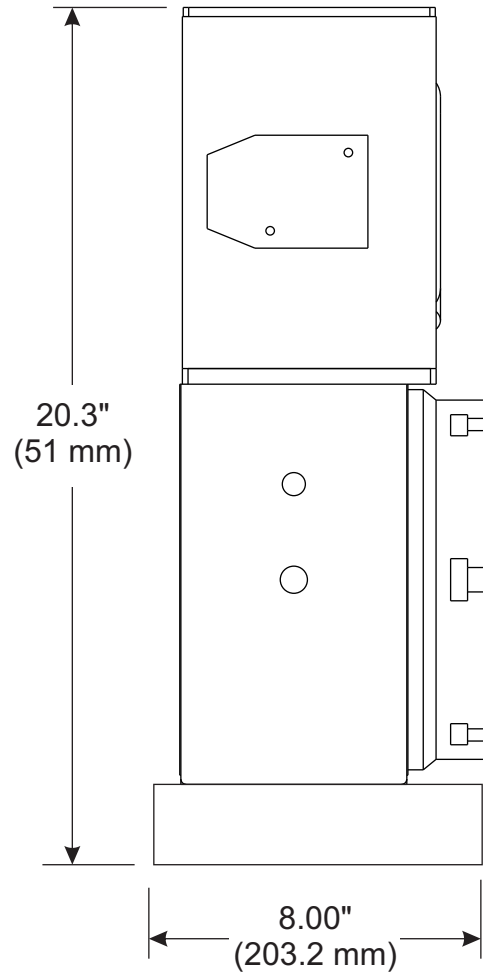
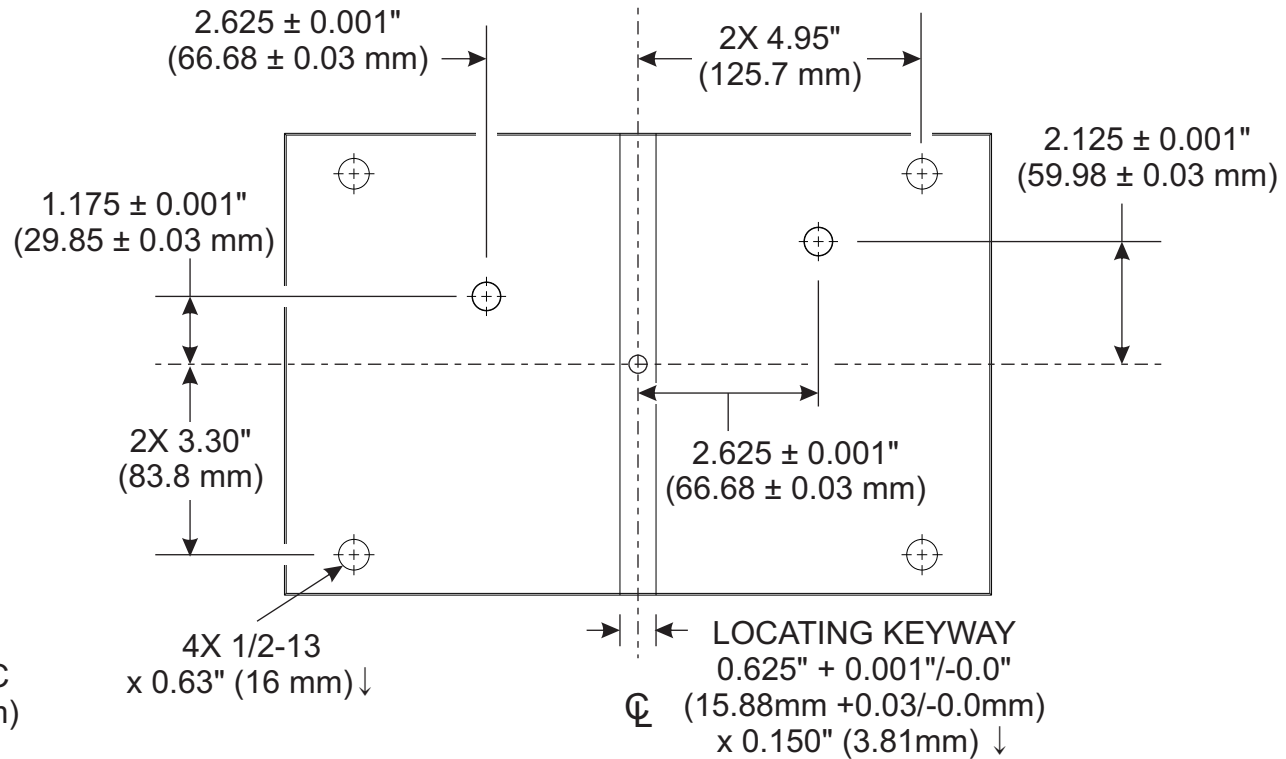
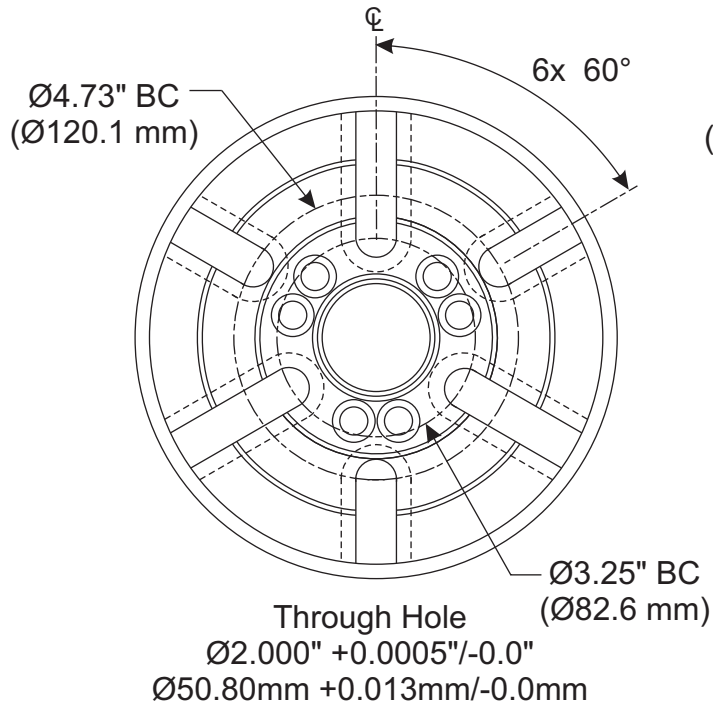


HRT210M Machine Layout Drawing



HRT210M Machine Layout Drawing

HRT210M Platter Dimensions



Bottom View

For mounting instructions, see Rotary Operator's Manual.

Go to www.haascnc.com for further rotary specifications.

