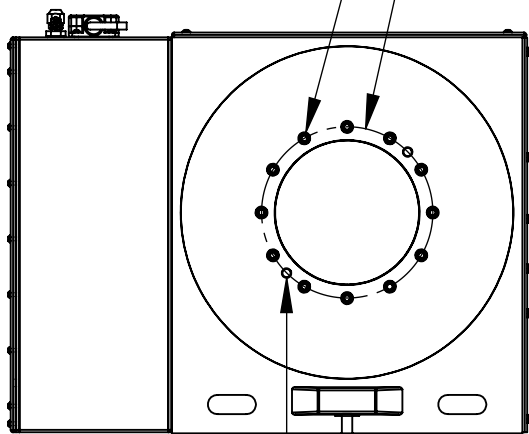


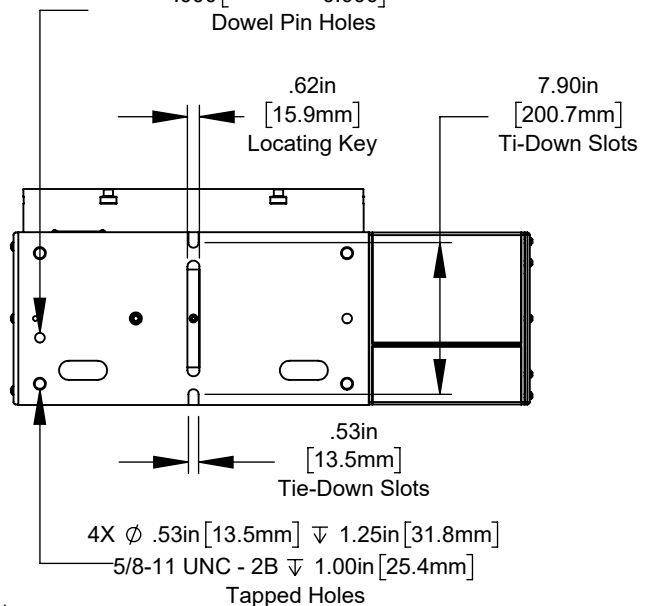
12X  $\phi$  .41in [10.3mm] THRU ALL  
 $\square$   $\phi$  .63in [15.9mm]  $\nabla$  .38in [9.5mm]

$\phi$  8.92in [226.6mm] Bolt Hole Circle



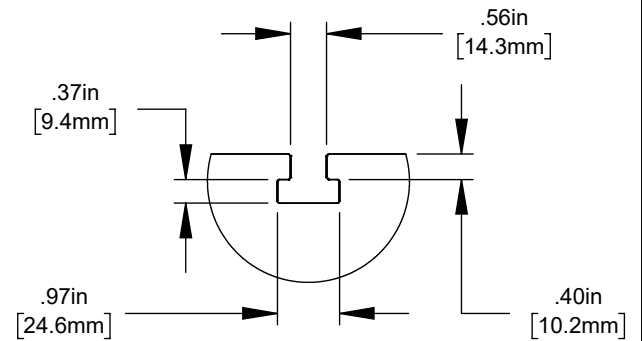
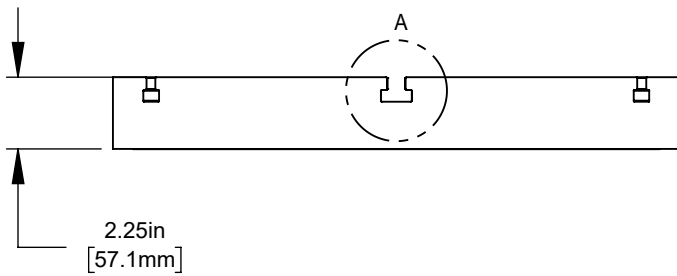
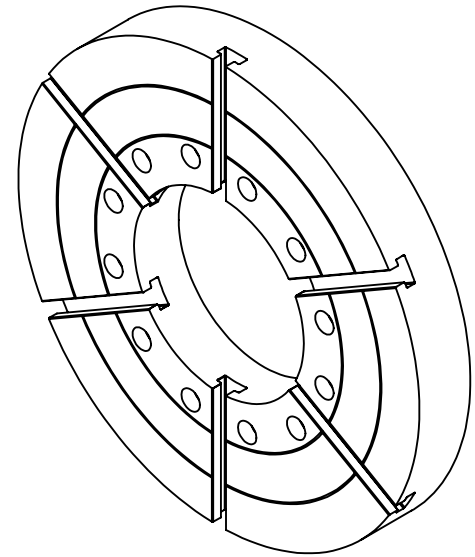
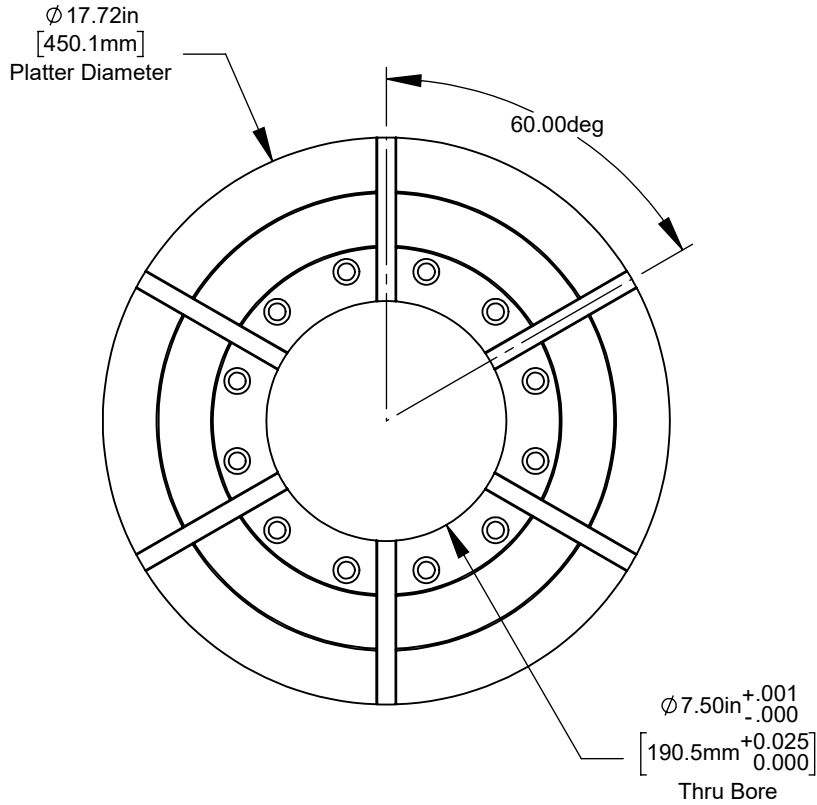
2X  $\phi$  .42in [10.7mm]  $\nabla$  .73in [18.6mm]  
 1/2-13 UNC - 2B  $\nabla$  .63in [15.9mm]

$\phi$  .50in  $^{+.001}_{-.000}$  [12.7mm  $^{+0.025}_{0.000}$ ]  $\nabla$  .50 [12.7]  
 Dowel Pin Holes



All dimensions based on stackup of sheetmetal, subject to variation of 1/2" ( 13 mm)

\*Due to continual product improvements, machine dimensions are subject to change without notice.



DETAIL A  
SCALE 1 : 3