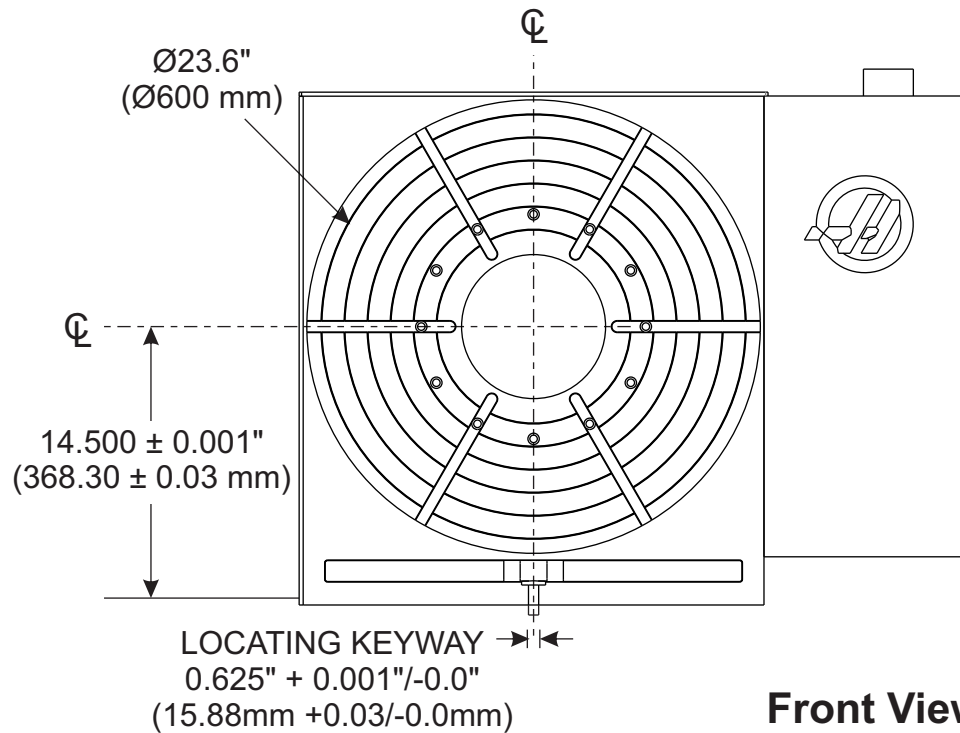
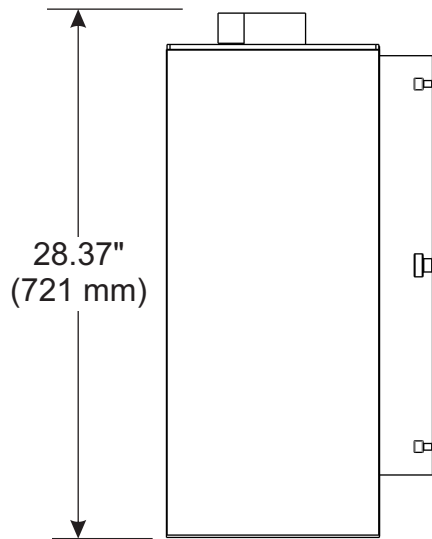
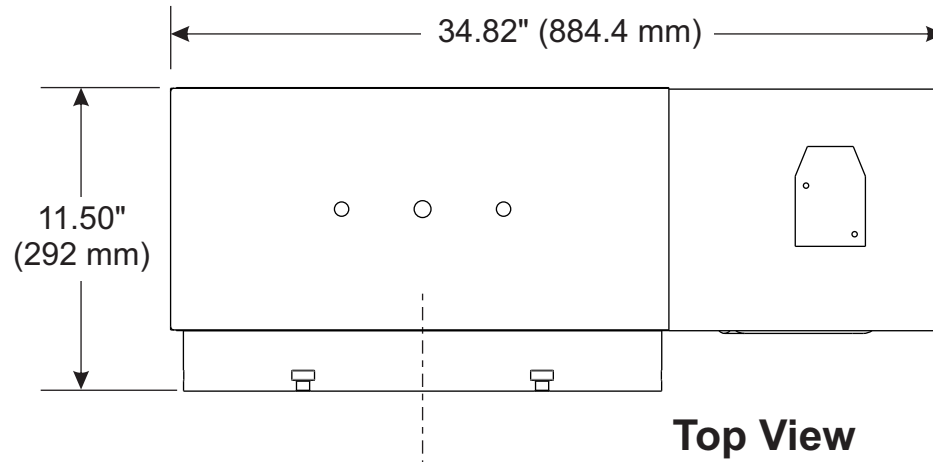
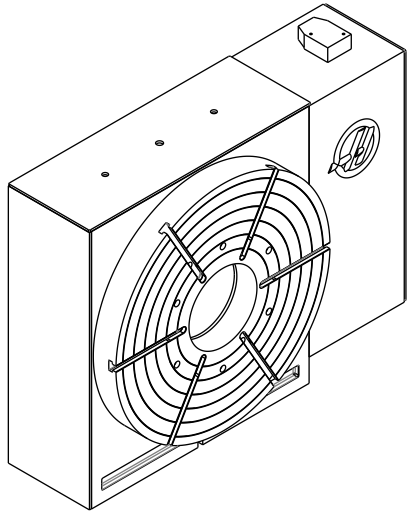
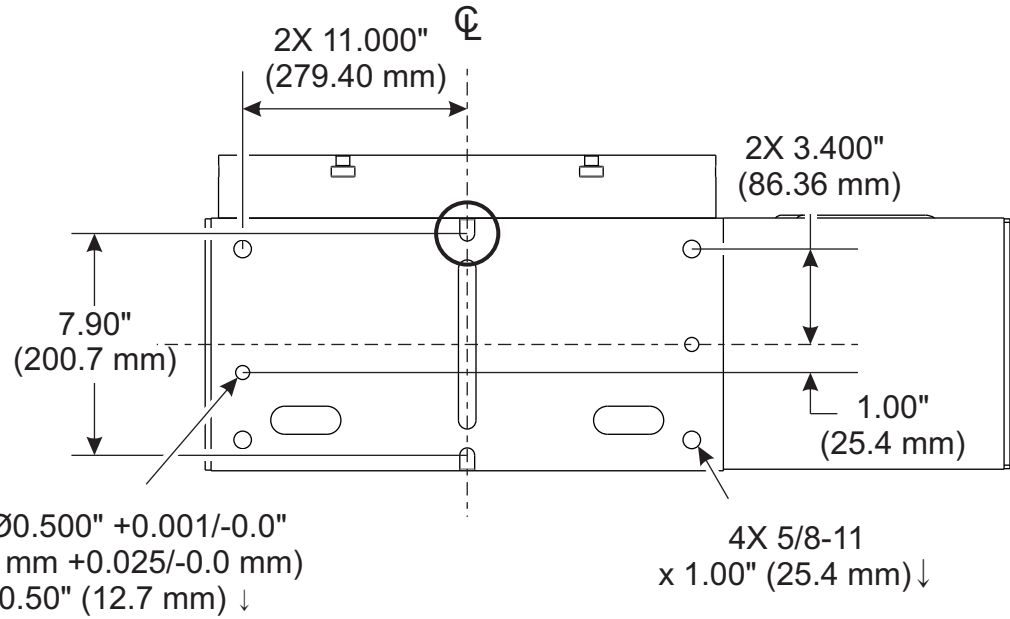
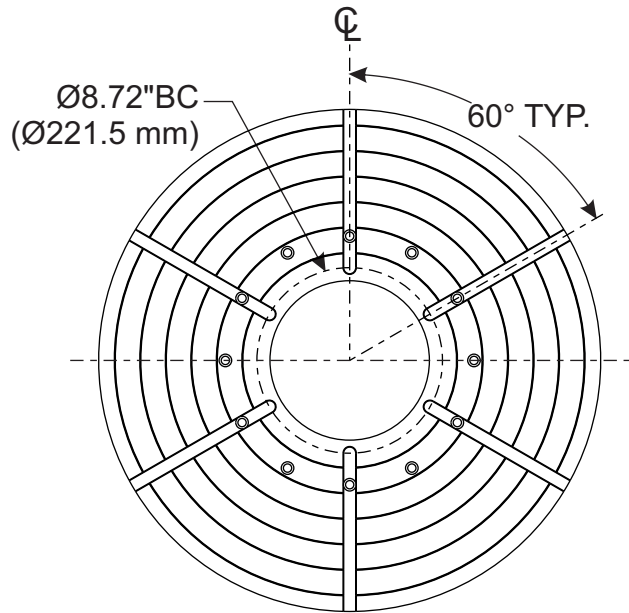


# HRT600 Machine Layout Drawing



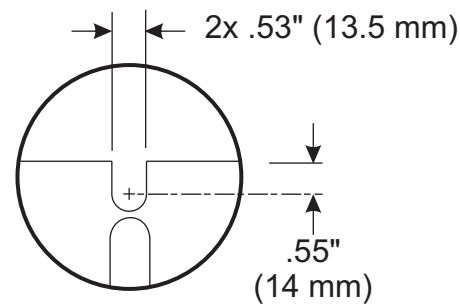
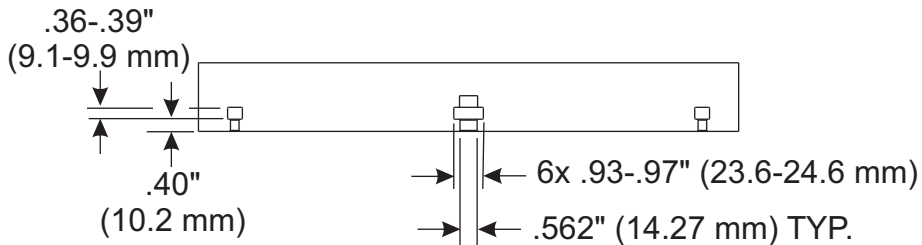
# HRT600 Machine Layout Drawing

## HRT600 Platter Dimensions



Through Hole  
 Ø7.500" +0.001"/-0.0"  
 Ø190.50mm +0.03mm/-0.0mm

## Bottom View



Front and Rear  
Tie-Down Slots

For mounting instructions,  
see Rotary Operator's Manual.

Go to [www.haascnc.com](http://www.haascnc.com)  
for further rotary specifications.

