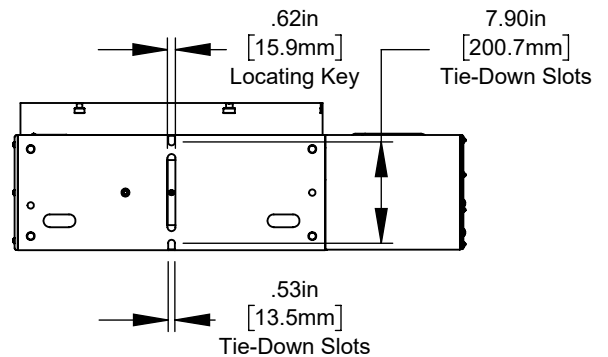
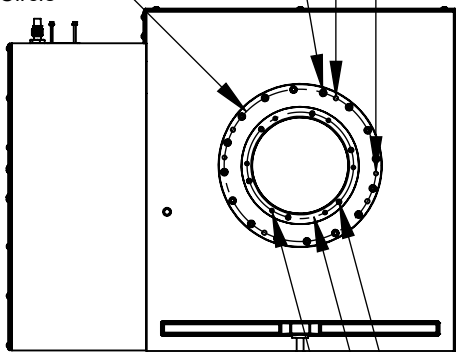


16X ϕ .34in [8.7mm] ∇ 3.94in [100.0mm]
 \sqsubset ϕ .53in [13.5mm] ∇ .32in [8.1mm]

4X ϕ .34in [8.7mm] THRU ALL
 \sqsubset ϕ .53in [13.5mm] ∇ .35in [8.9mm]

ϕ 11.90in [302.3mm]
 Bolt Hole Circle

2X ϕ .26in [6.5mm] THRU ALL
 5/16-18 UNC - 2B THRU ALL



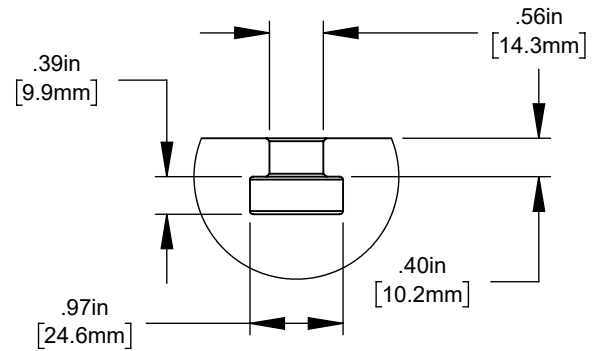
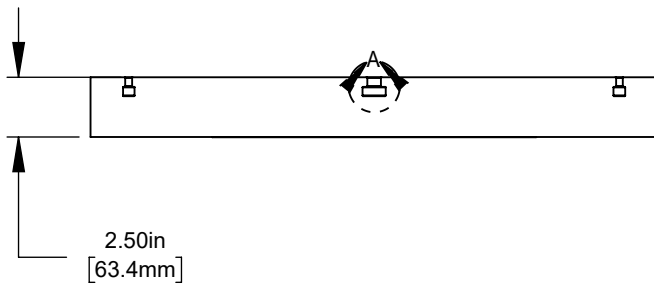
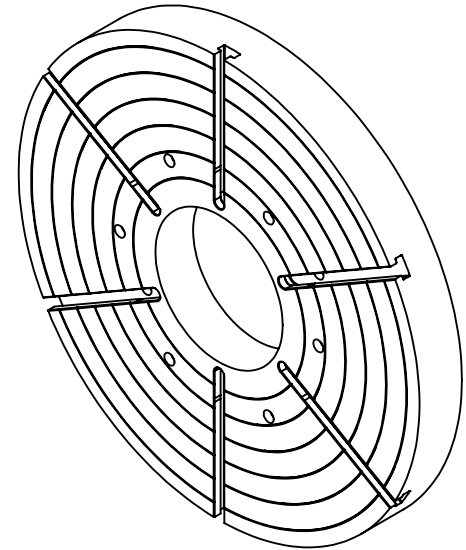
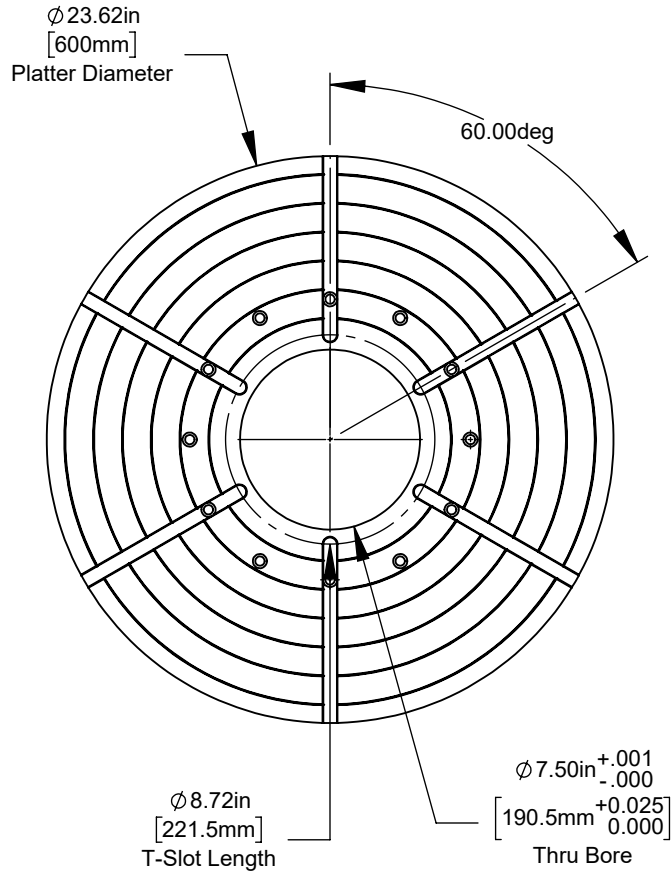
6X ϕ .20in [5.1mm] ∇ .63in [15.9mm]
 1/4-20 UNC - 2B ∇ .50in [12.7mm]
 \sphericalangle ϕ .30in [7.6mm] X 90.00°, NEAR SIDE

6X ϕ .26in [6.5mm] ∇ .67in [16.9mm]
 5/16-18 UNC - 2B ∇ .50in [12.7mm]
 \sphericalangle ϕ .37in [9.5mm] X 90.00°, NEAR SIDE

ϕ 8.32in [211.3mm]
 Bolt Hole Circle

All dimensions based on stackup of sheetmetal, subject to variation of 1/2" (13 mm)

*Due to continual product improvements, machine dimensions are subject to change without notice.



DETAIL A
SCALE 1 : 2