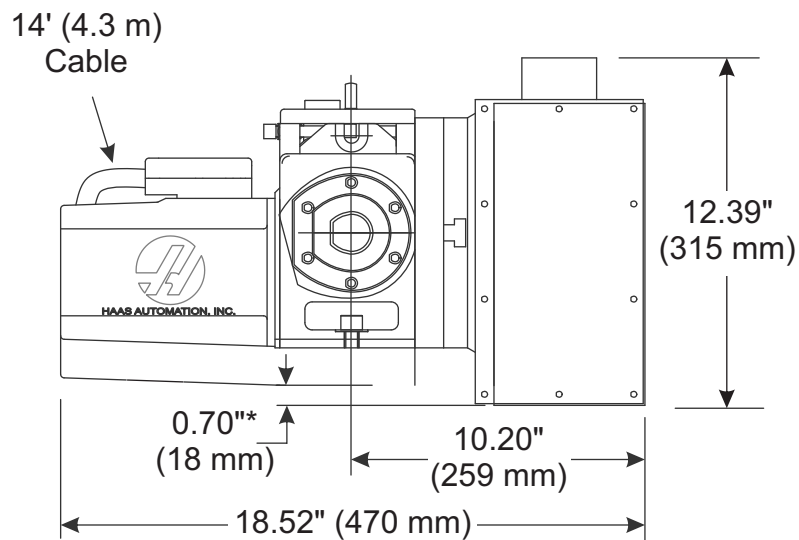
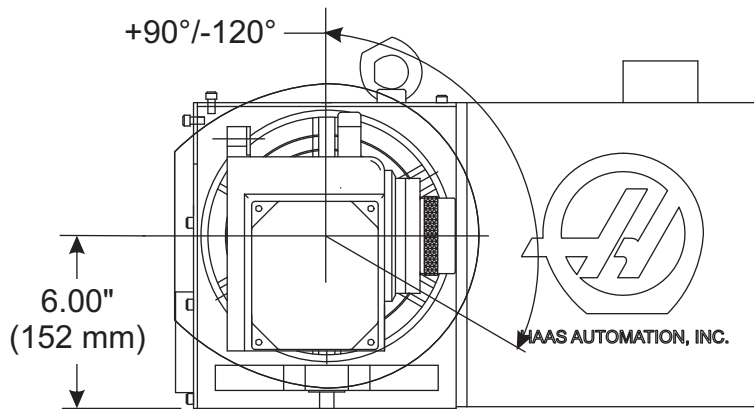
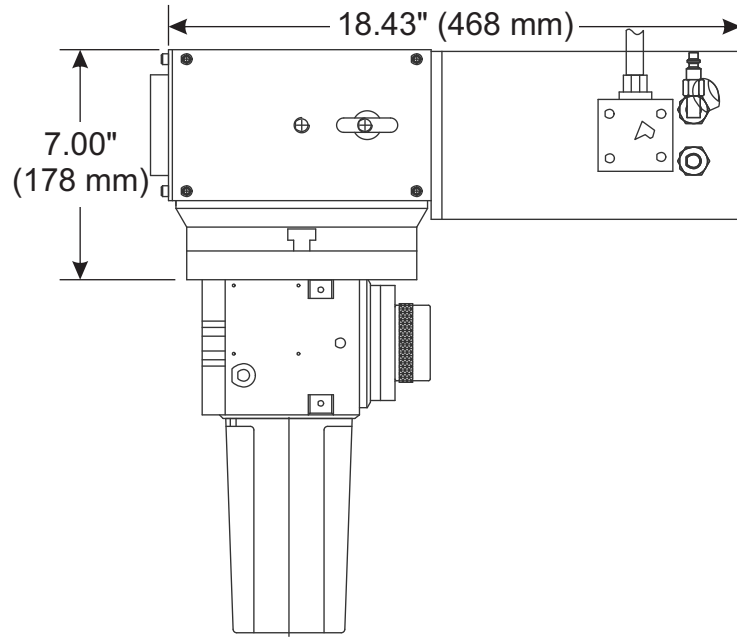


T5C Machine Layout Drawing



* Minimum Clearance