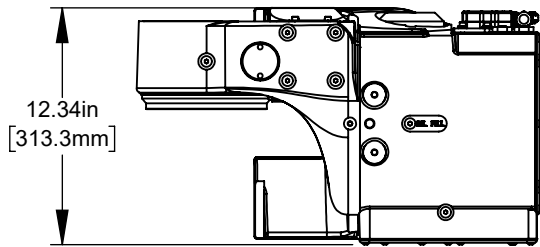
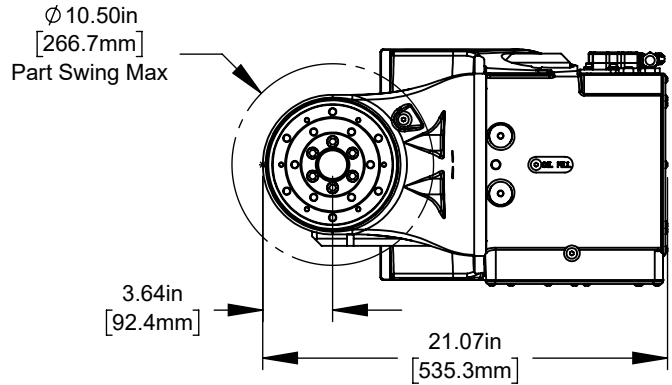


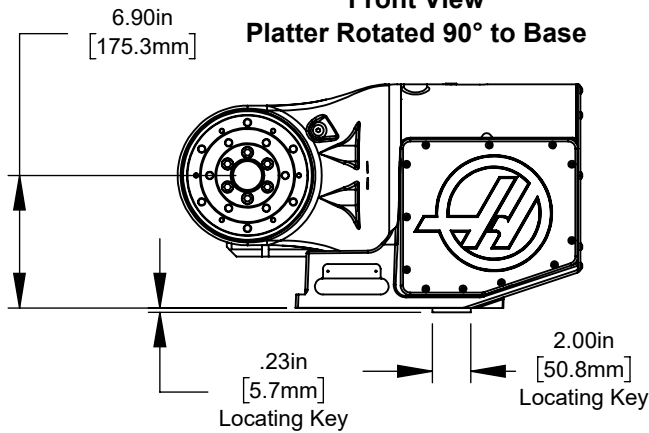
Top View
Platter Rotated 90° to Base



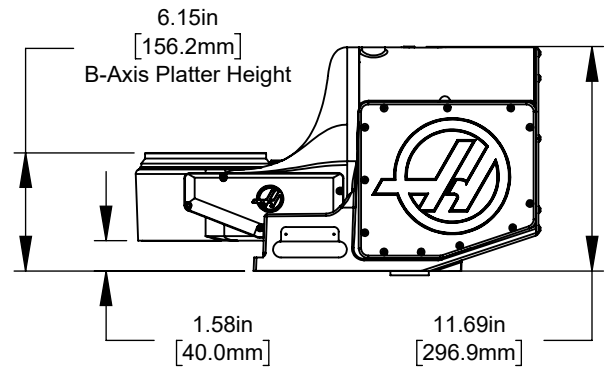
Top View



Front View
Platter Rotated 90° to Base

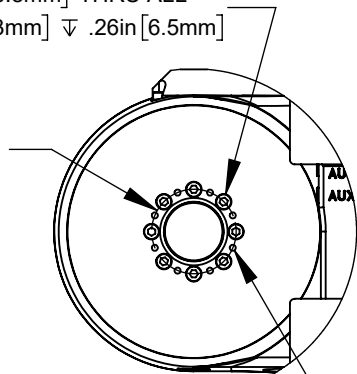


Front View



8X Ø .27in [6.8mm] THRU ALL
└─┘ Ø .41in [10.3mm] ▽ .26in [6.5mm]

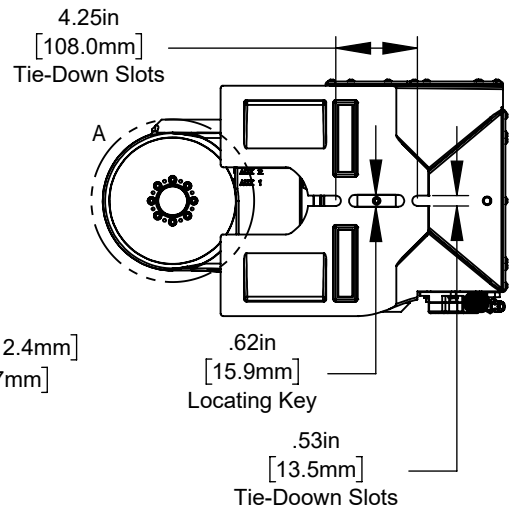
Ø 2.20in [55.9mm]
Bolt Hole Circle



8X Ø .16in [4.0mm] ▽ .49in [12.4mm]
10-32 UNF - 2B ▽ .38in [9.7mm]

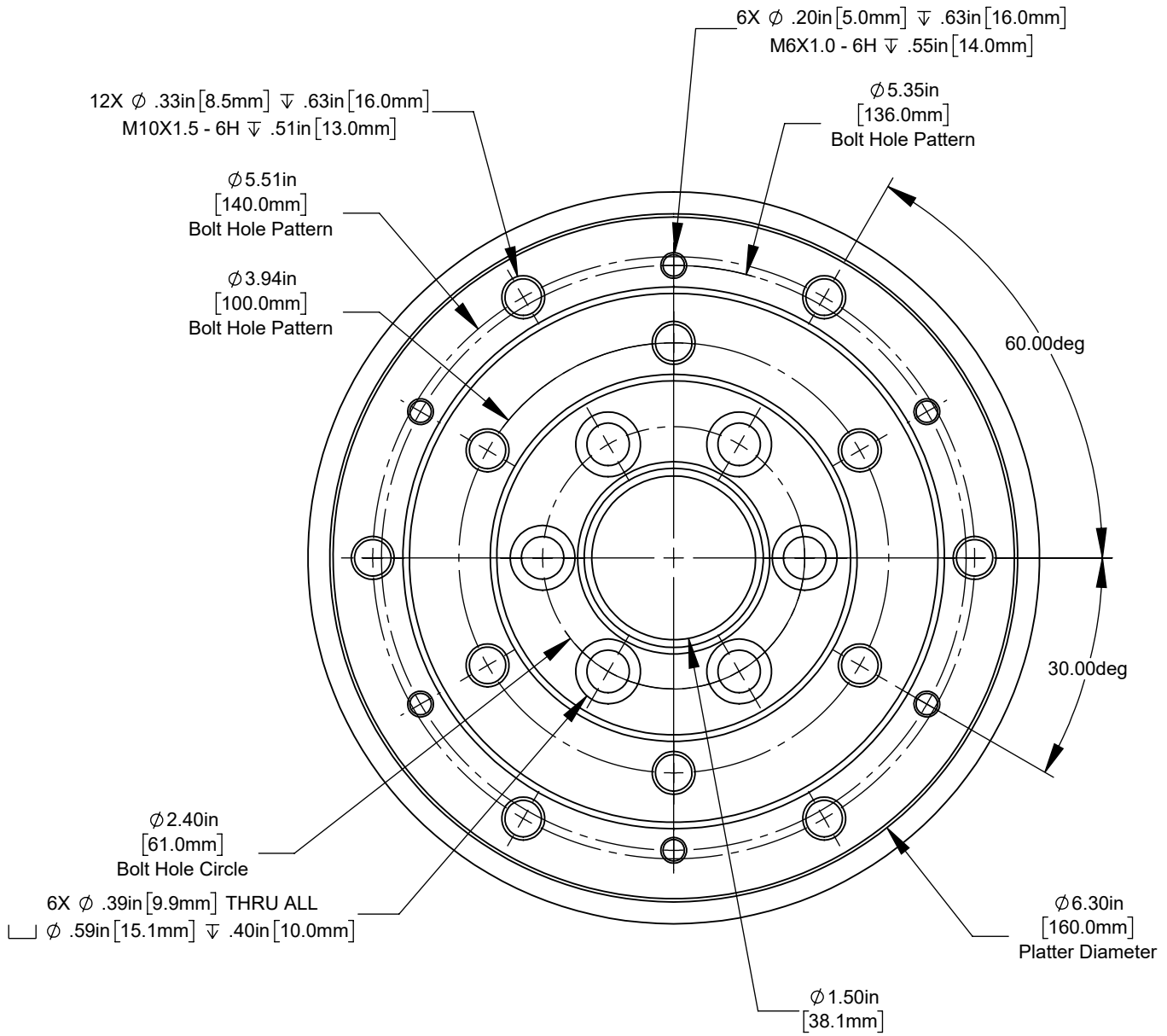
DETAIL A
SCALE 1 : 5

Bottom View



All dimensions based on stackup of sheetmetal, subject to variation of 1/2" (13 mm)

*Due to continual product improvements, machine dimensions are subject to change without notice.



*Due to continual product improvements, machine dimensions are subject to change without notice.