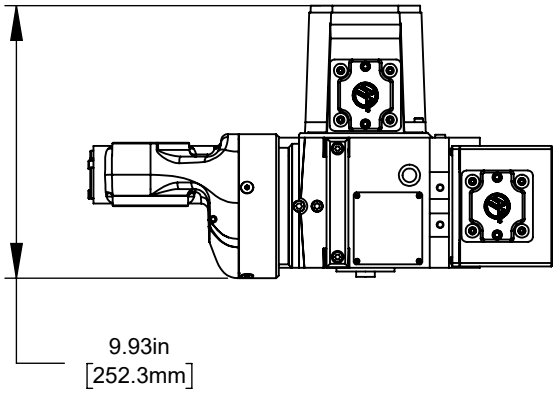
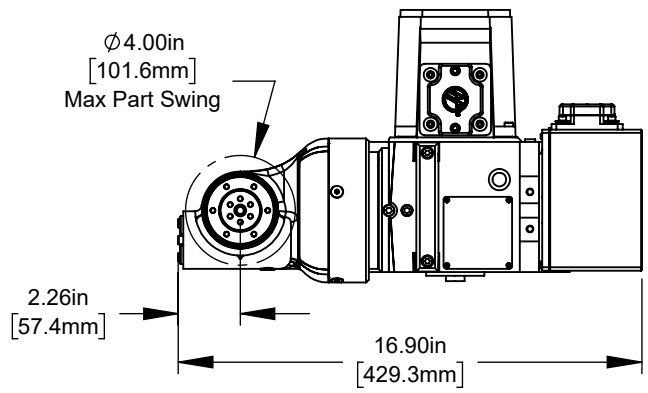


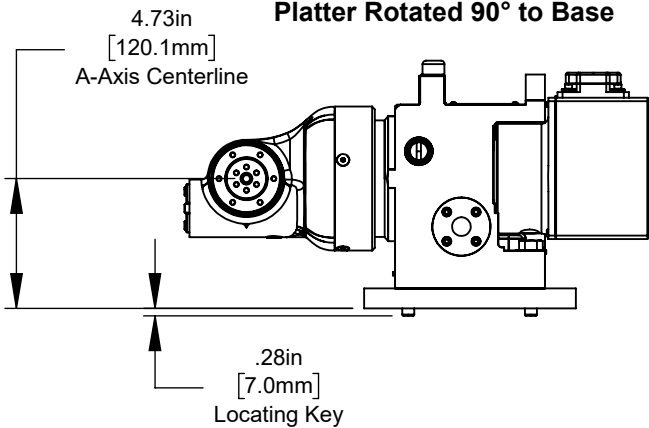
Top View
Platter Rotated 90° to Base



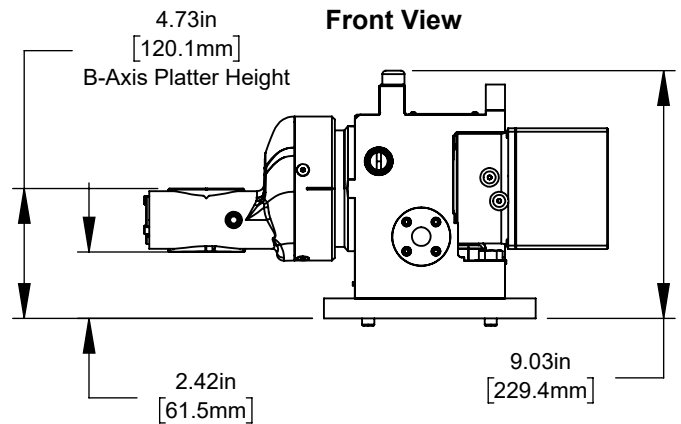
Top View



Front View
Platter Rotated 90° to Base



Front View

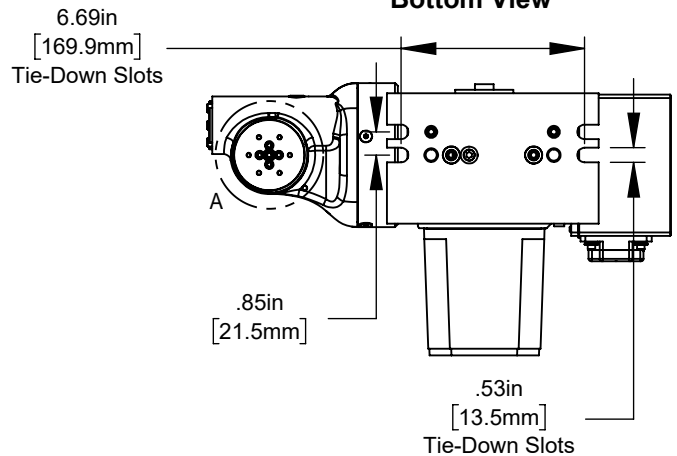


6X \varnothing .14in [3.5mm] ∇ .22in [5.6mm]
8-32 UNC - 2B ∇ .13in [3.2mm]

\varnothing 1.50in [38.1mm]
Bolt Hole Circle

DETAIL A
SCALE 2 : 7

Bottom View



All dimensions based on stackup of sheetmetal, subject to variation of 1/2" (13 mm)

*Due to continual product improvements, machine dimensions are subject to change without notice.

