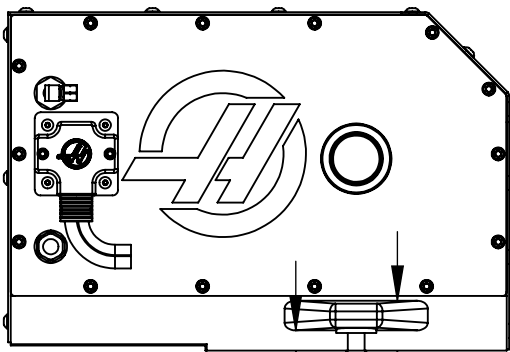


.23in
[5.7mm]
Locating Key

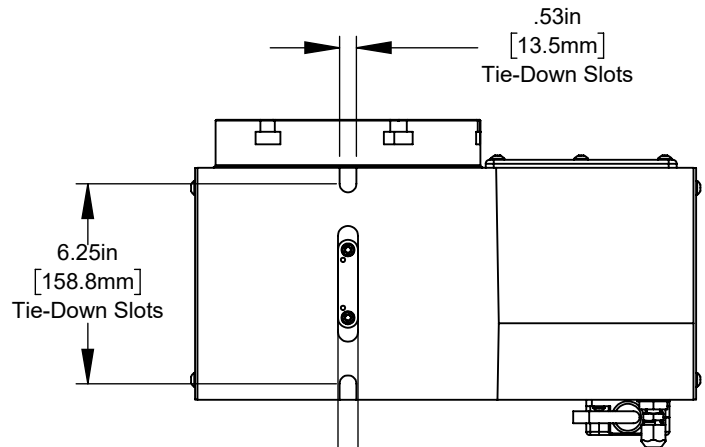
2.75in
[69.8mm]
Locating Key

6.00in
[152.4mm]



.63in
[16.1mm]

1.56in
[39.7mm]



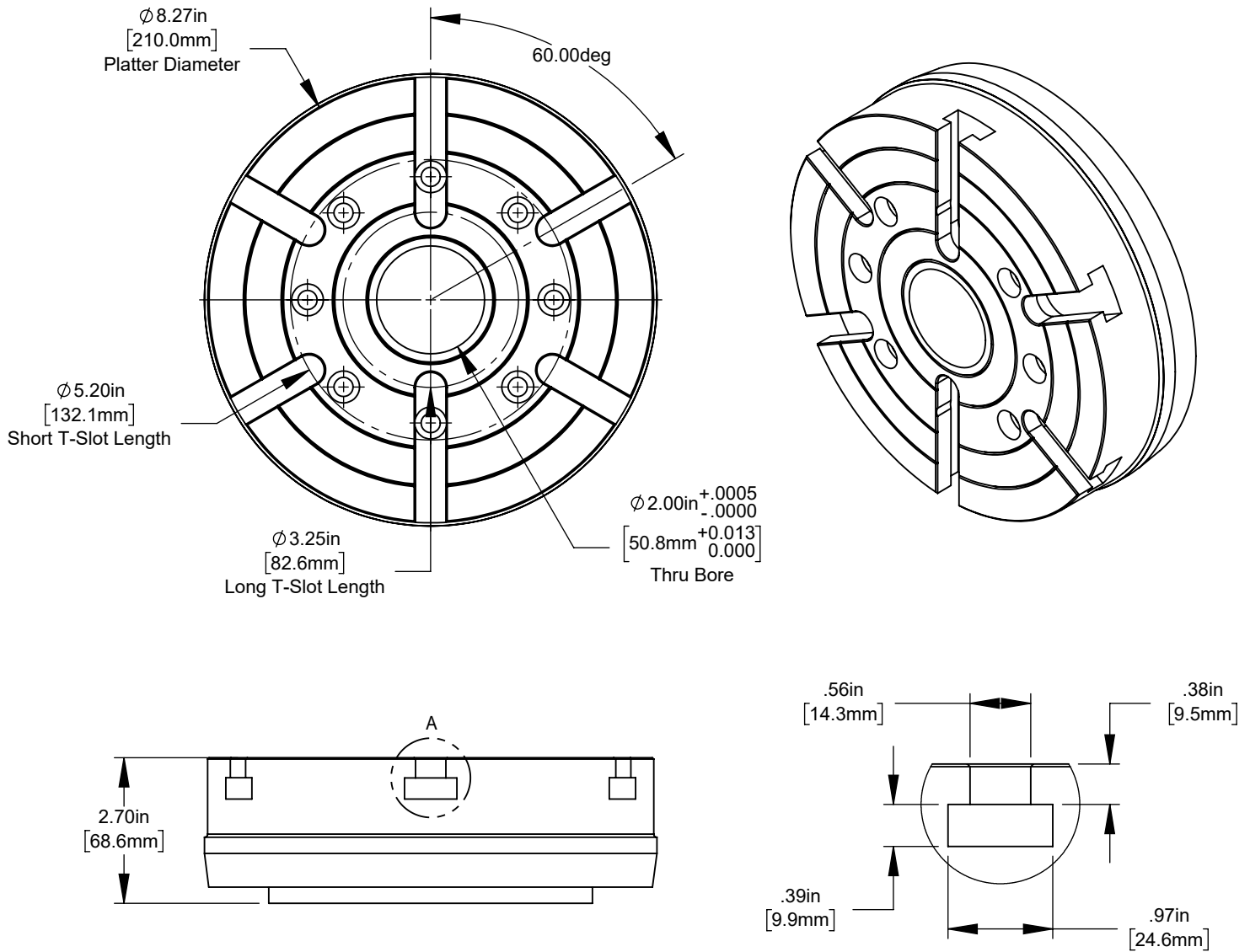
.53in
[13.5mm]
Tie-Down Slots

6.25in
[158.8mm]
Tie-Down Slots

.63in
[16.0mm]
Locating Key

All dimensions based on stackup of sheetmetal, subject to variation of 1/2" (13 mm)

*Due to continual product improvements, machine dimensions are subject to change without notice.



DETAIL A
SCALE 2 : 3

*Due to continual product improvements, machine dimensions are subject to change without notice.