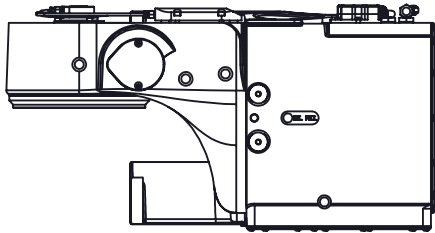
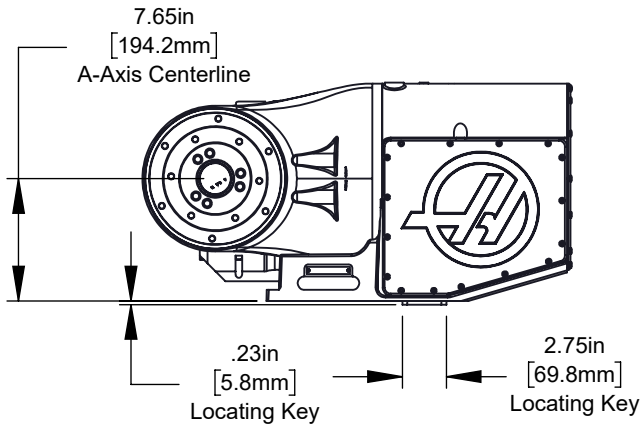


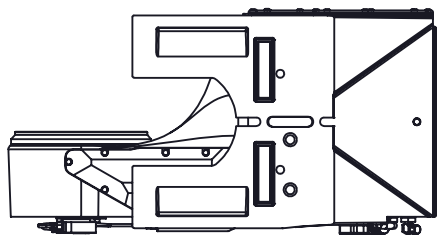
**Top View**  
**Platter Rotated 90° to Base**



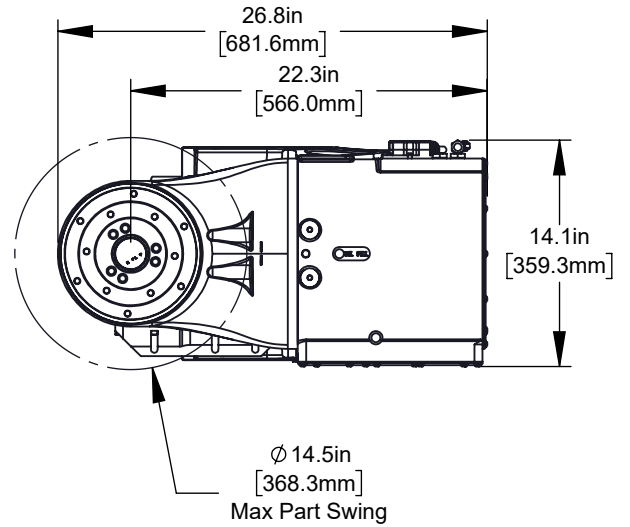
**Front View**  
**Platter Rotated 90° to Base**



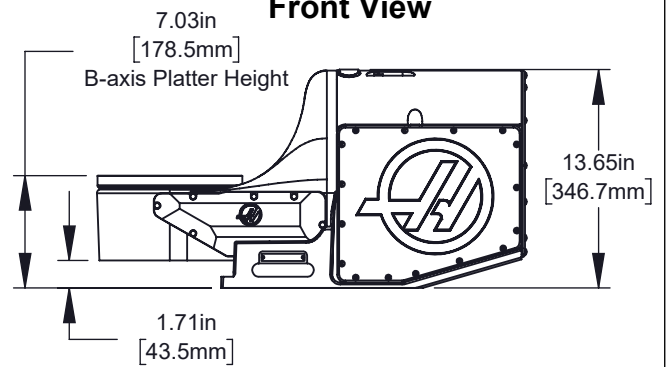
**Bottom View**  
**Platter Rotated 90° to Base**



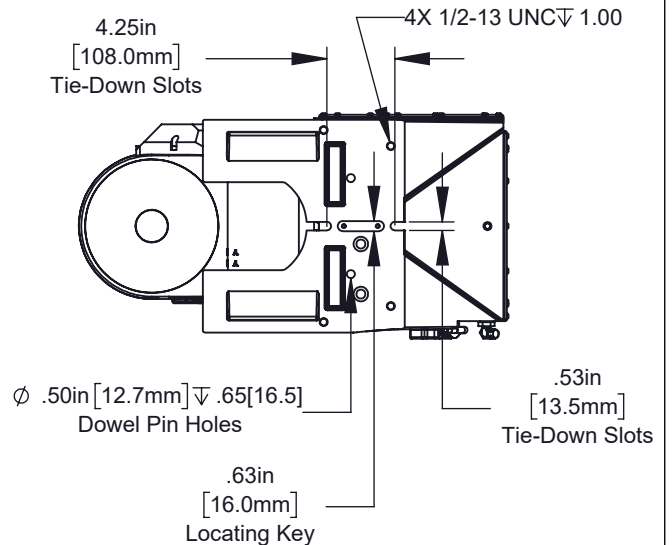
**Top View**



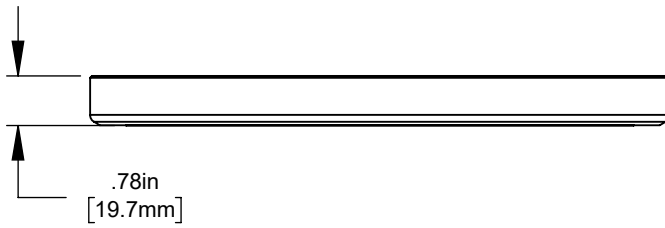
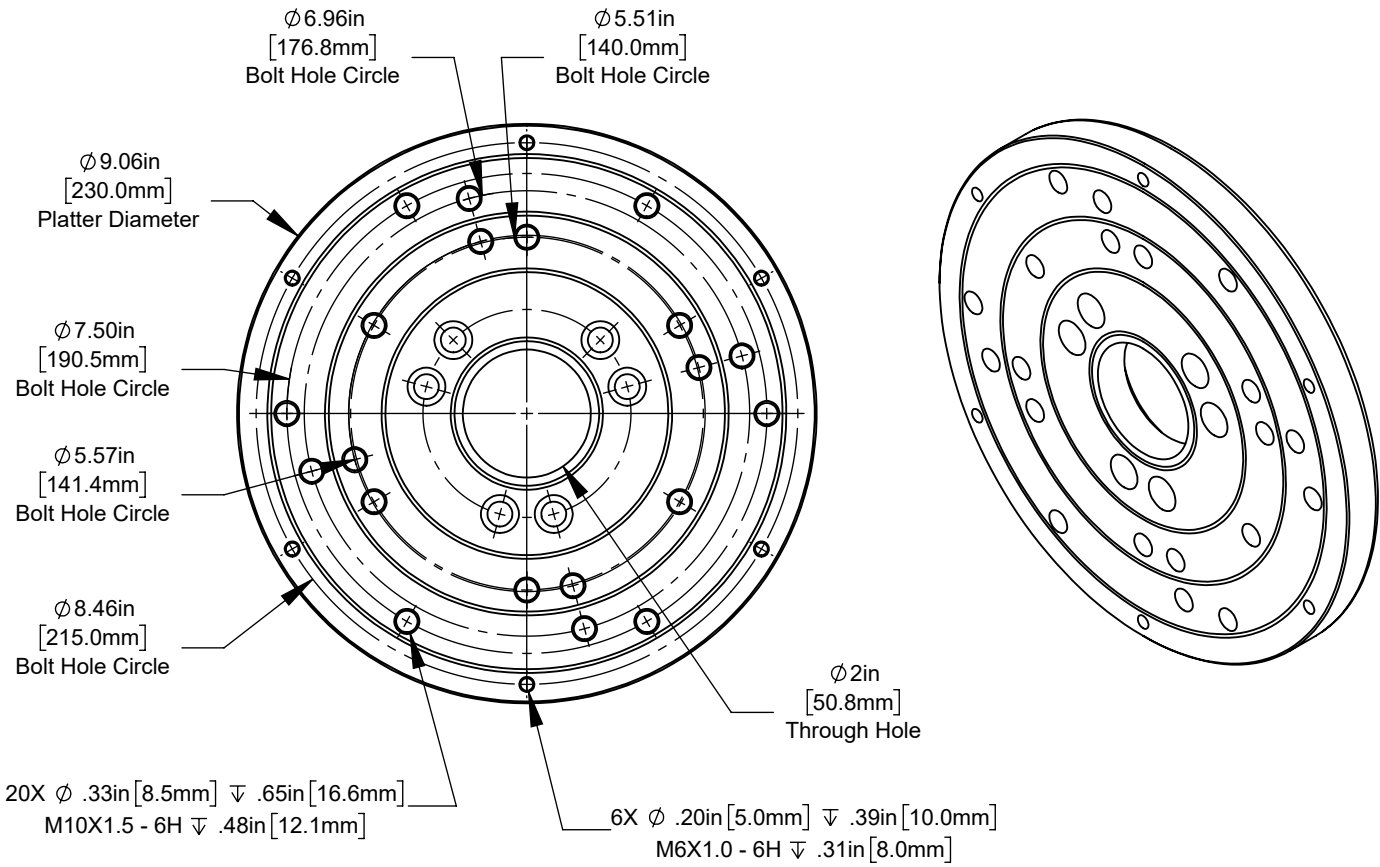
**Front View**



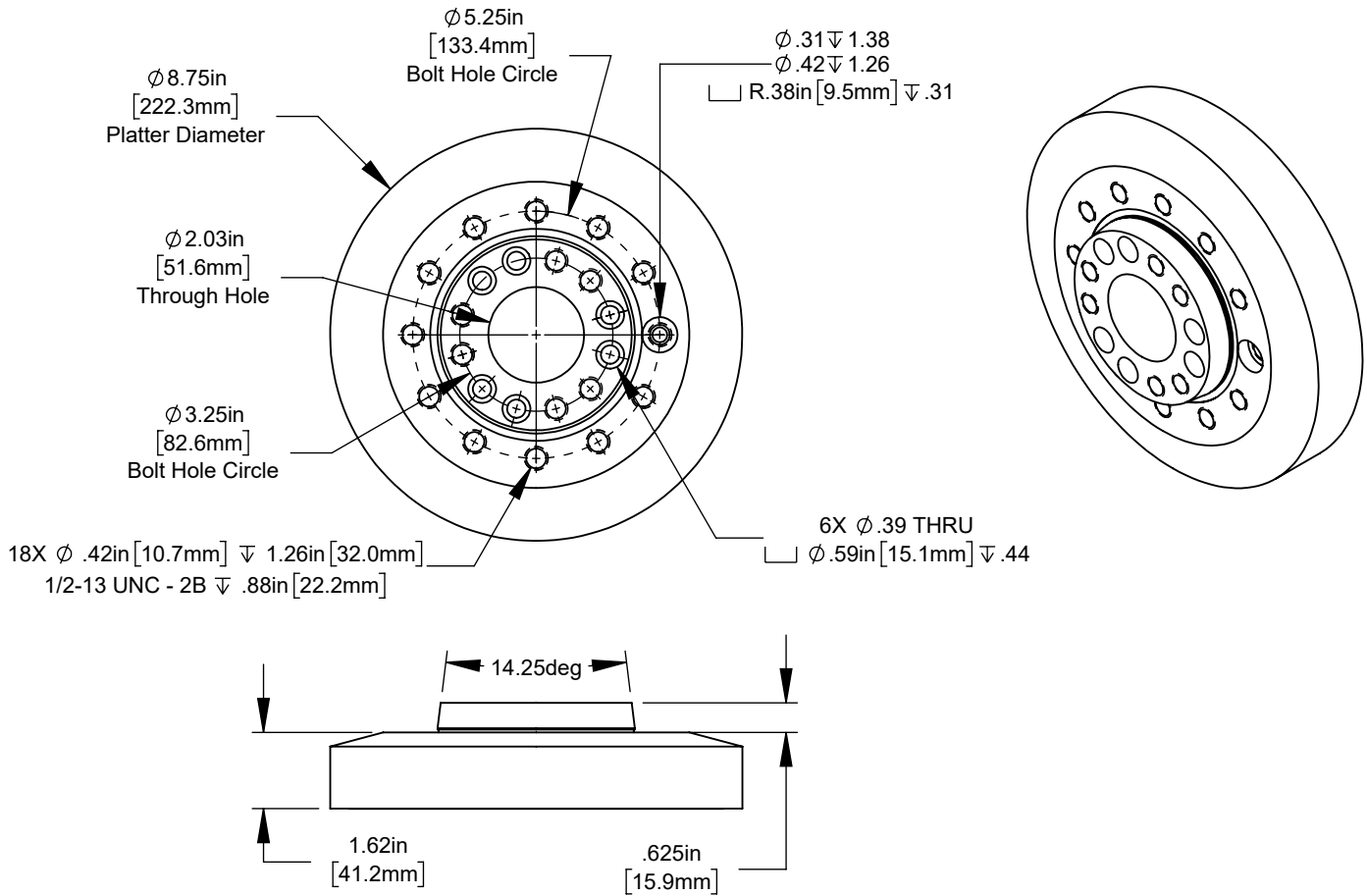
**Bottom View**



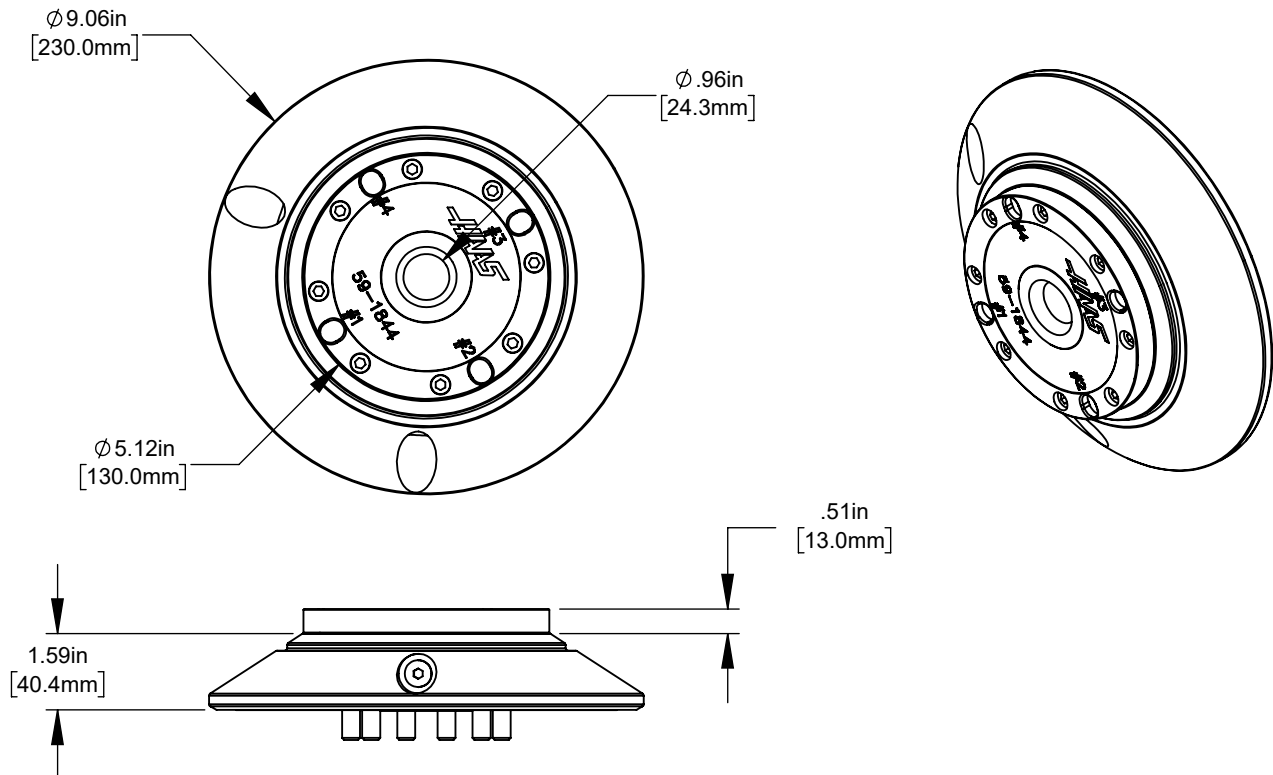
All dimensions based on stackup of sheetmetal, subject to variation of 1/2" ( 13 mm)



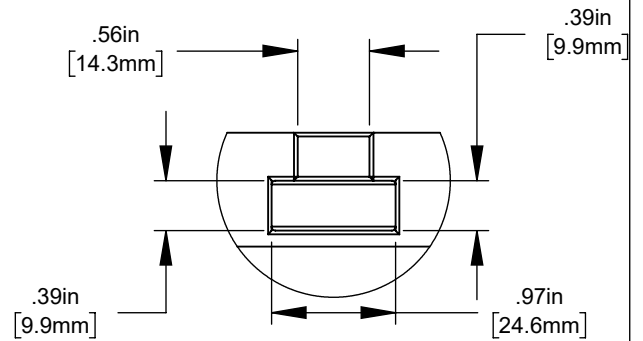
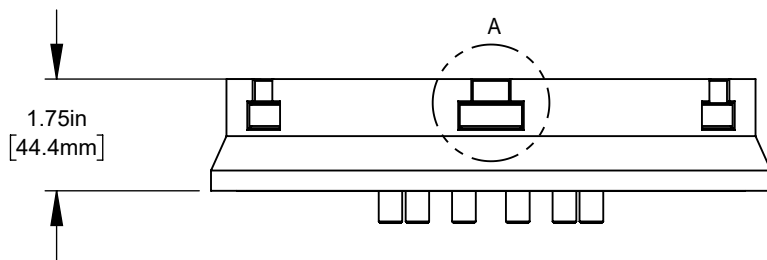
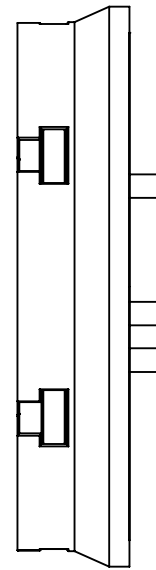
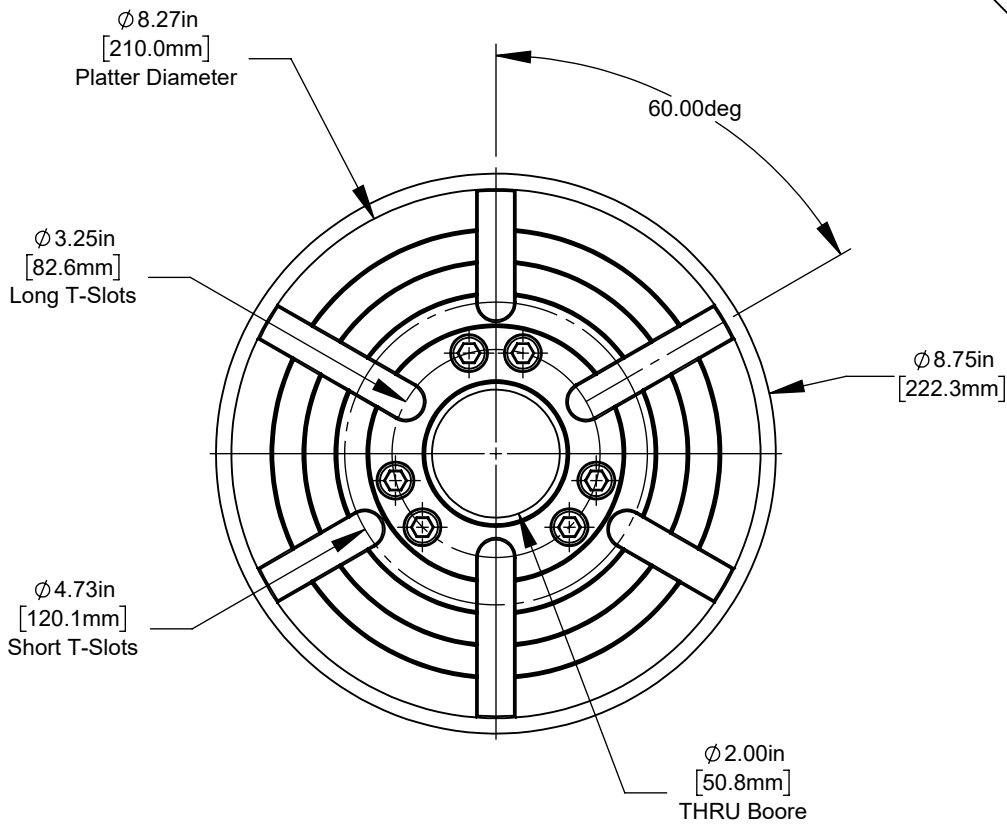
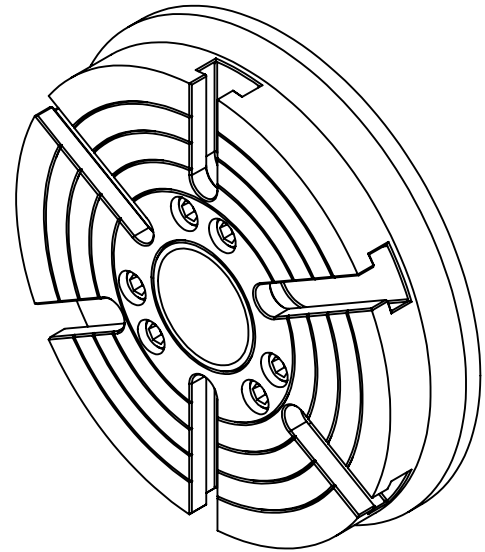
A6 Optional Platter



Zero Point Optional Platter



T-Slot Platter



**DETAIL A**  
**SCALE 2 : 3**