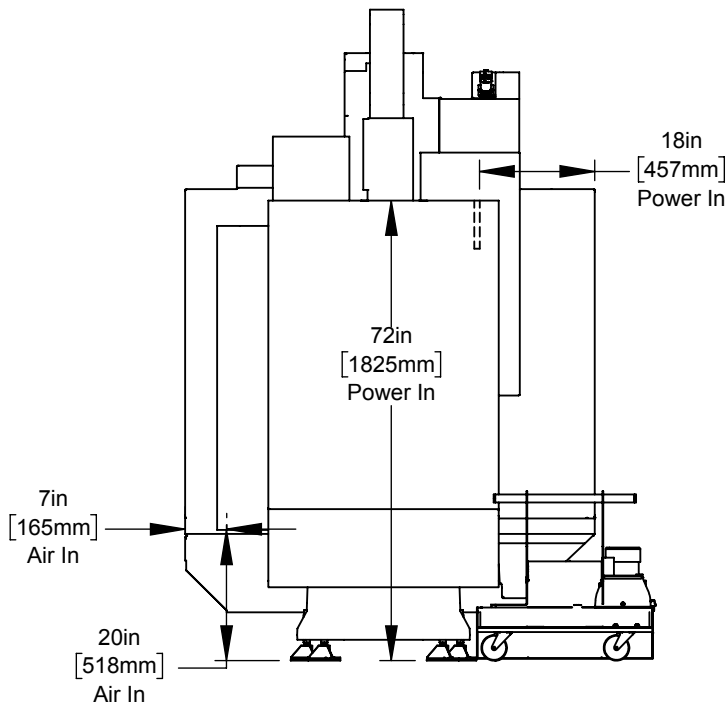


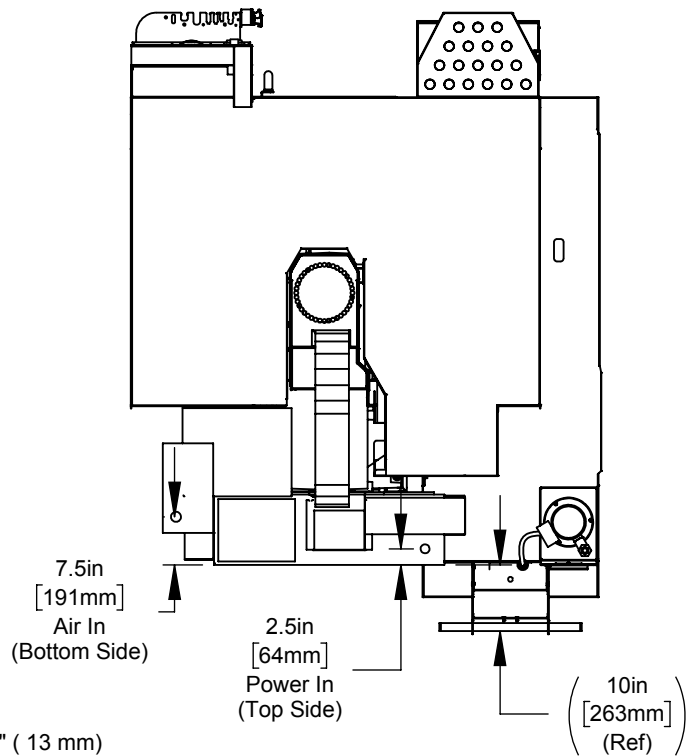
All dimensions based on stackup of sheetmetal, subject to variation of 1/2" (13 mm)
**Add 4" (101.6mm) for EC4 (Extended Clearance Option)

Air & Power

Back View

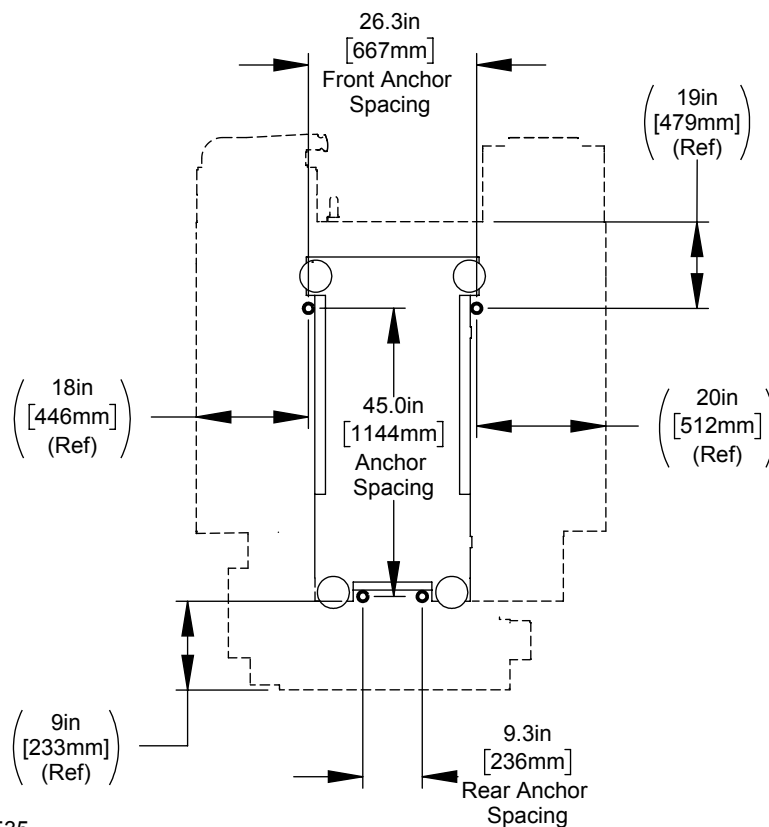


TopView

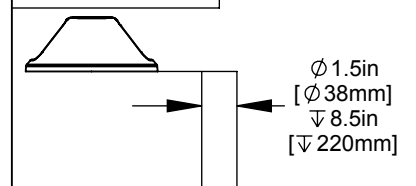


All dimensions based on stackup of sheetmetal, subject to variation of 1/2" (13 mm)

Anchor Pattern

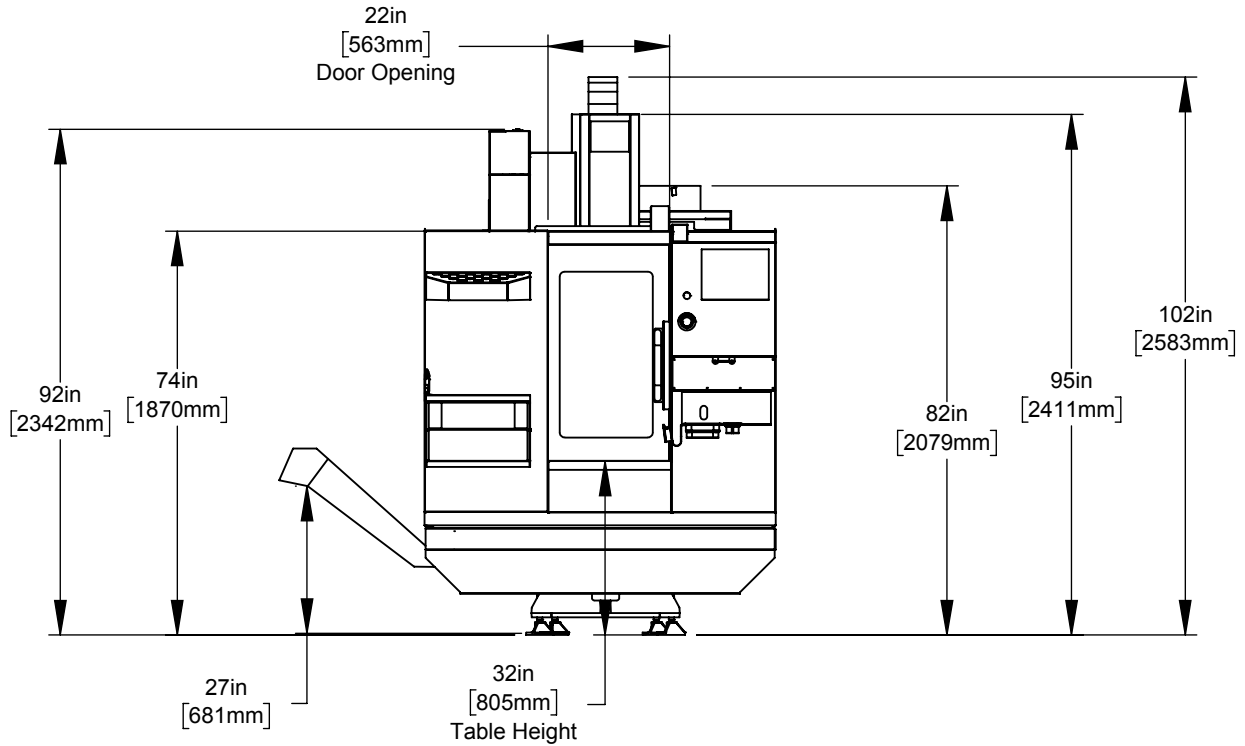


Anchor Hole Detail



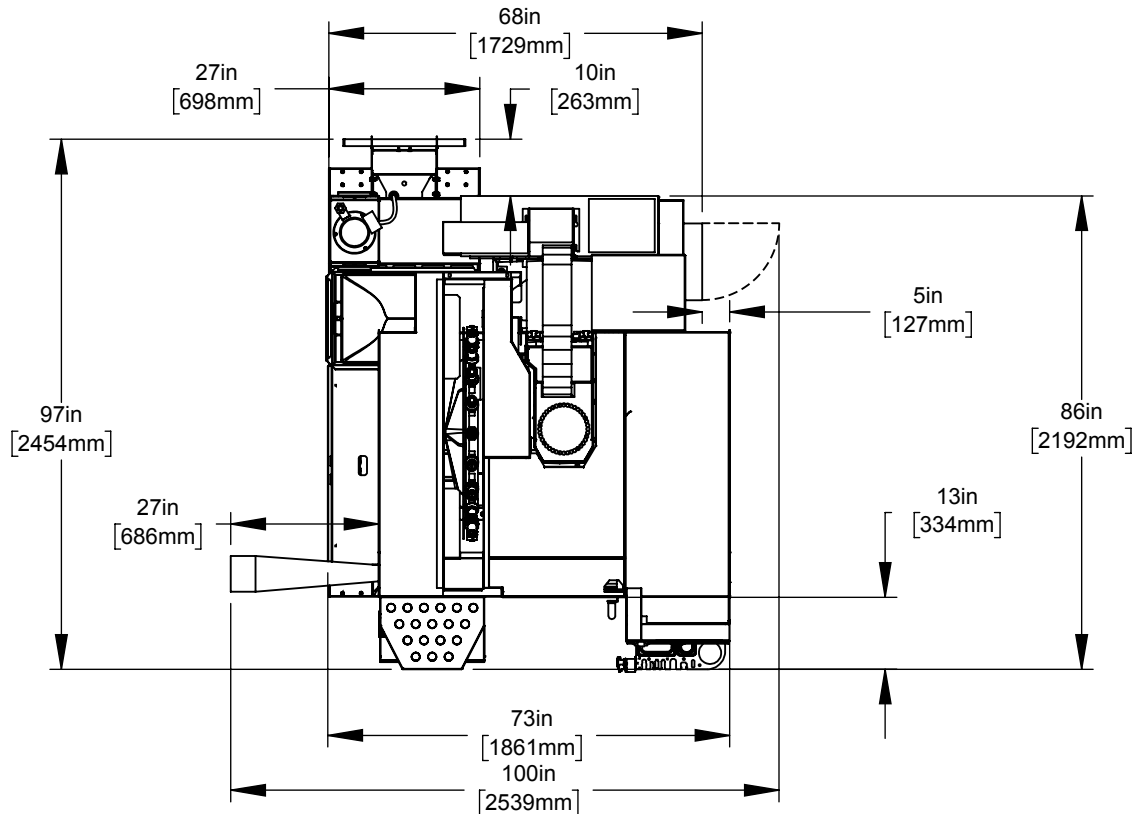
For use with Anchor Kit # 40-4535

Height Breakdown**



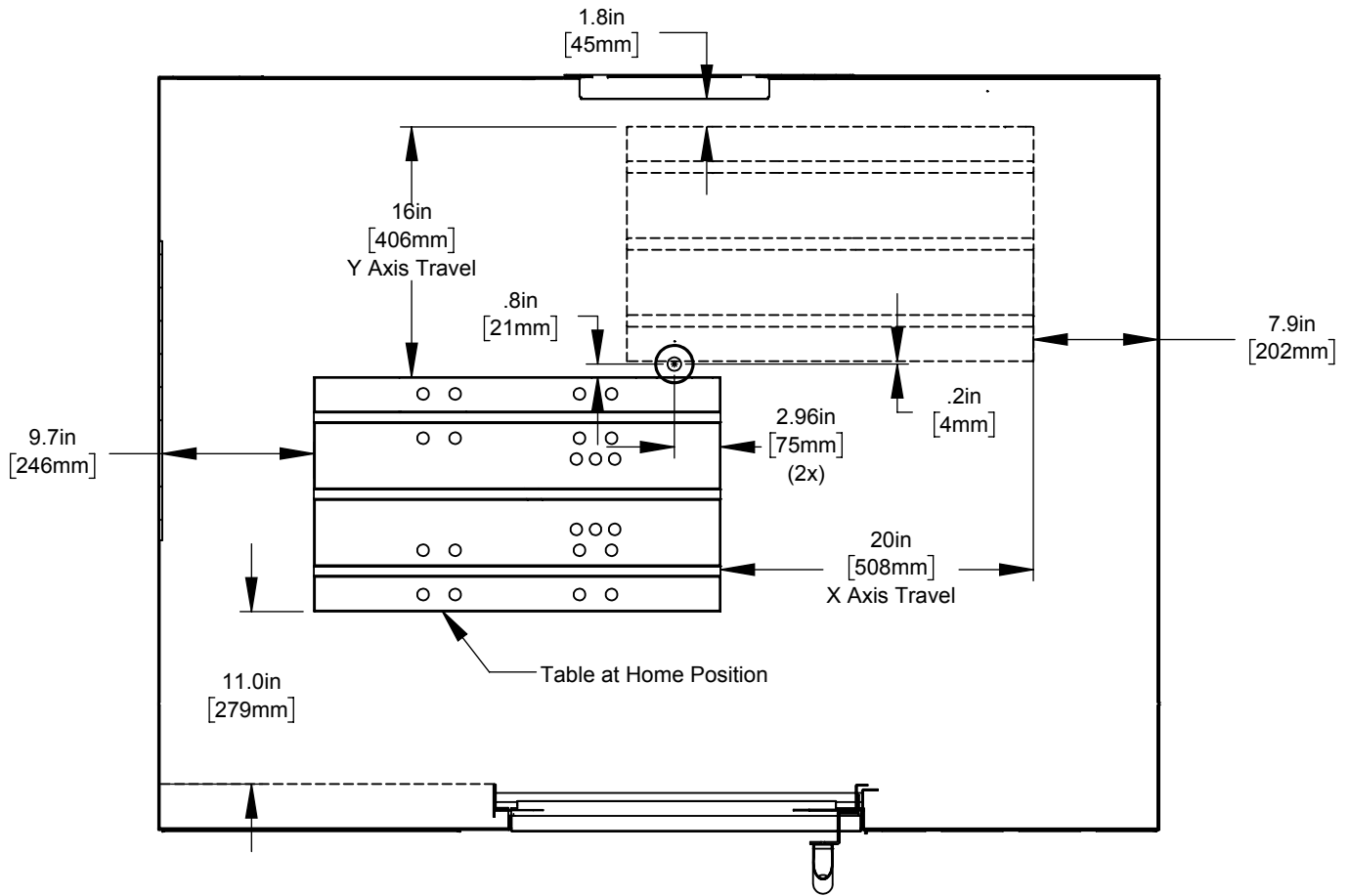
All dimensions based on stackup of sheetmetal, subject to variation of 1/2" (13 mm)
**Add 4" (101.6mm) for EC4 (Extended Clearance Option)

Width Breakdown

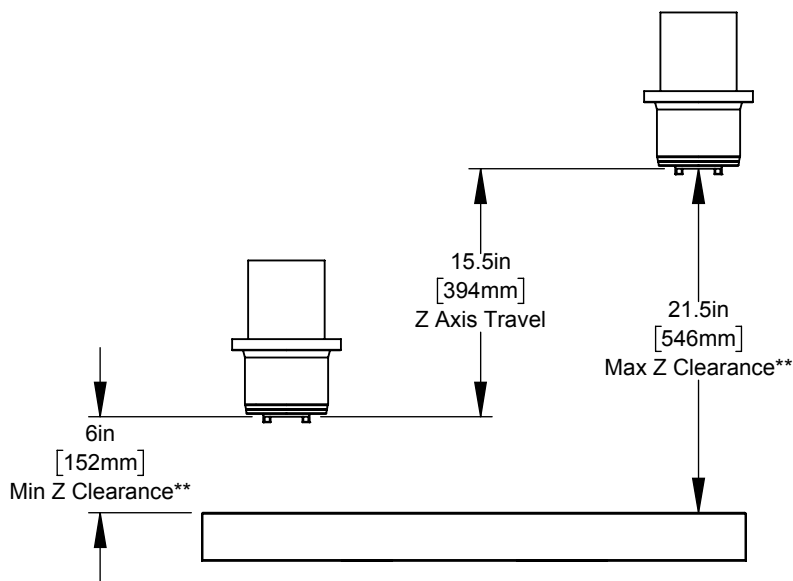


All dimensions based on stackup of sheetmetal, subject to variation of 1/2" (13 mm)

X&Y-Axis Clearance

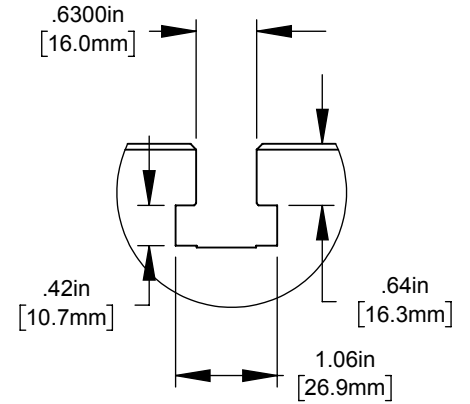
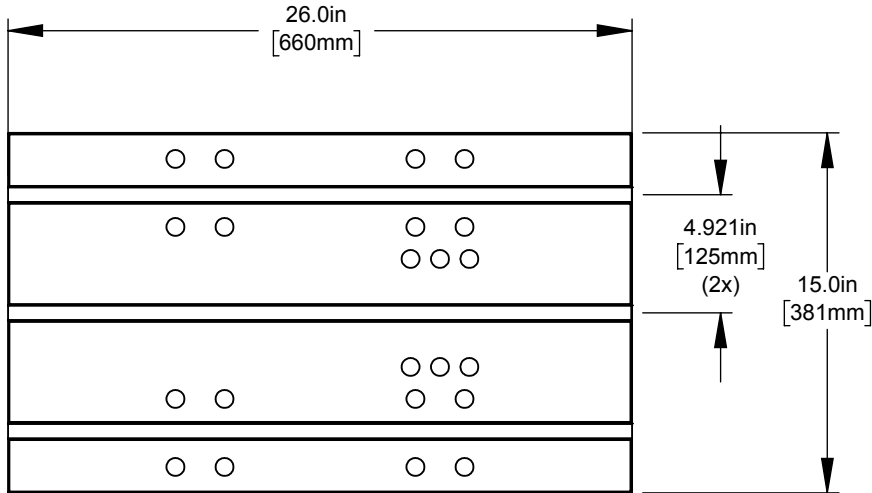


Z-Axis Clearance**



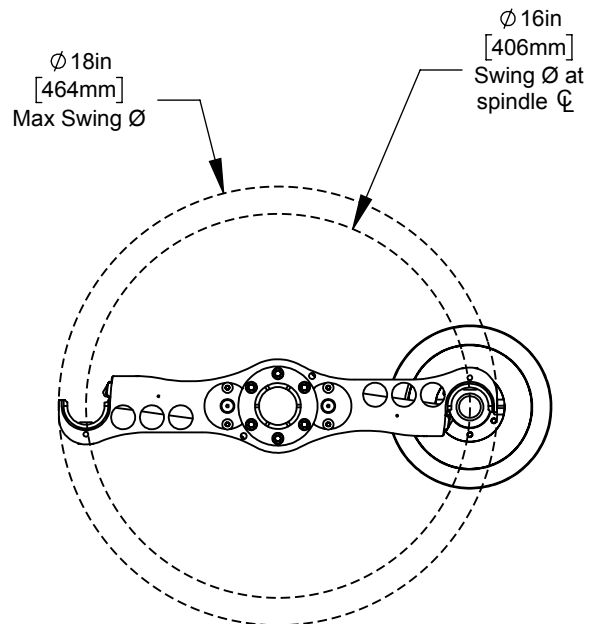
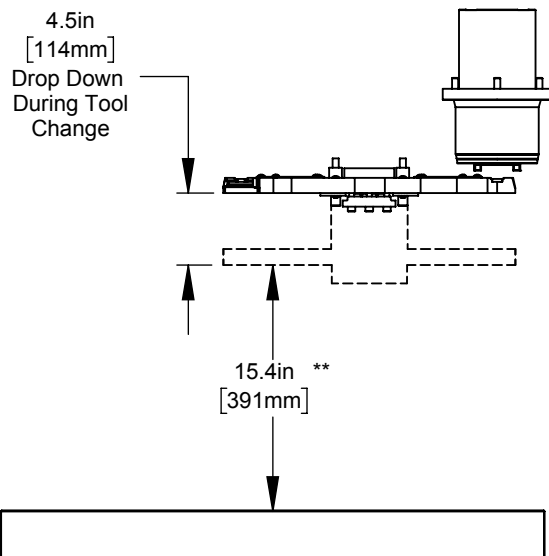
**Add 4" (101.6mm) for EC4 (Extended Clearance Option)

Table



T Slot Detail

Tool Changer



**Add 4" (101.6mm) for EC4 (Extended Clearance Option)