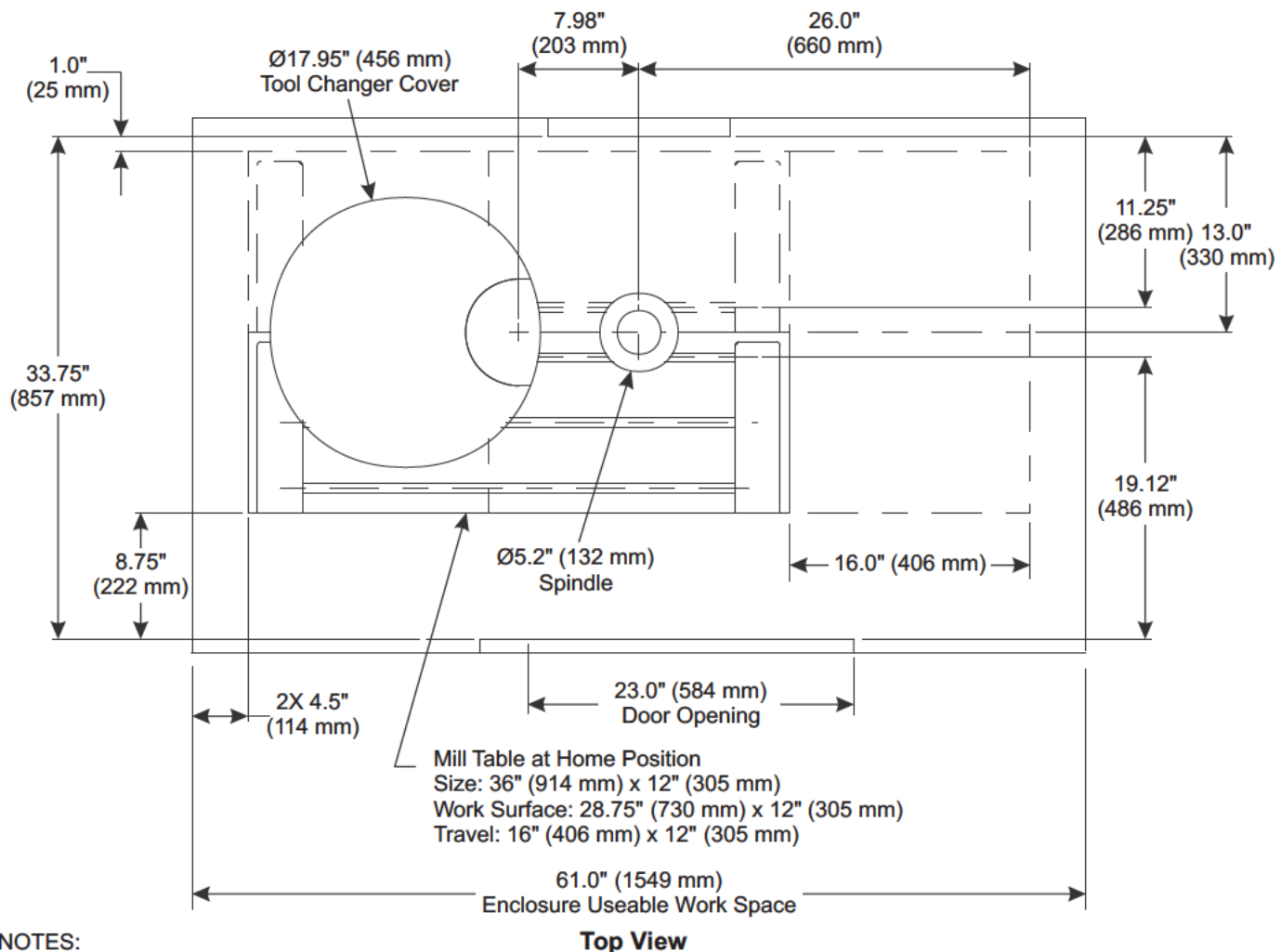
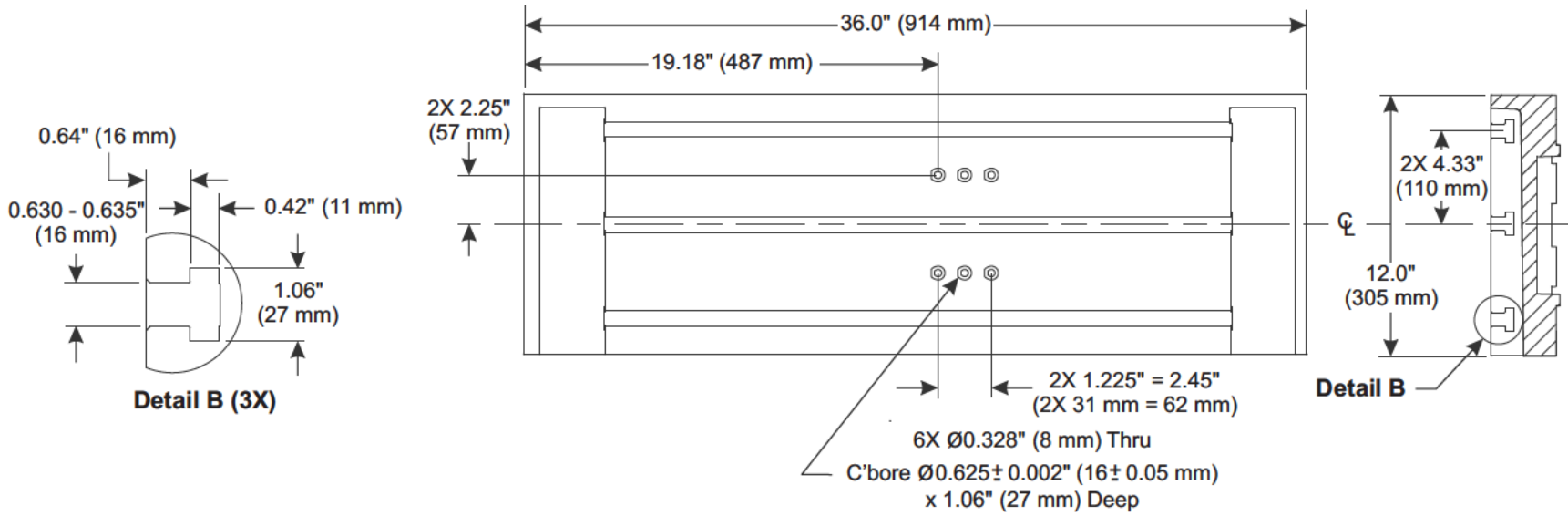
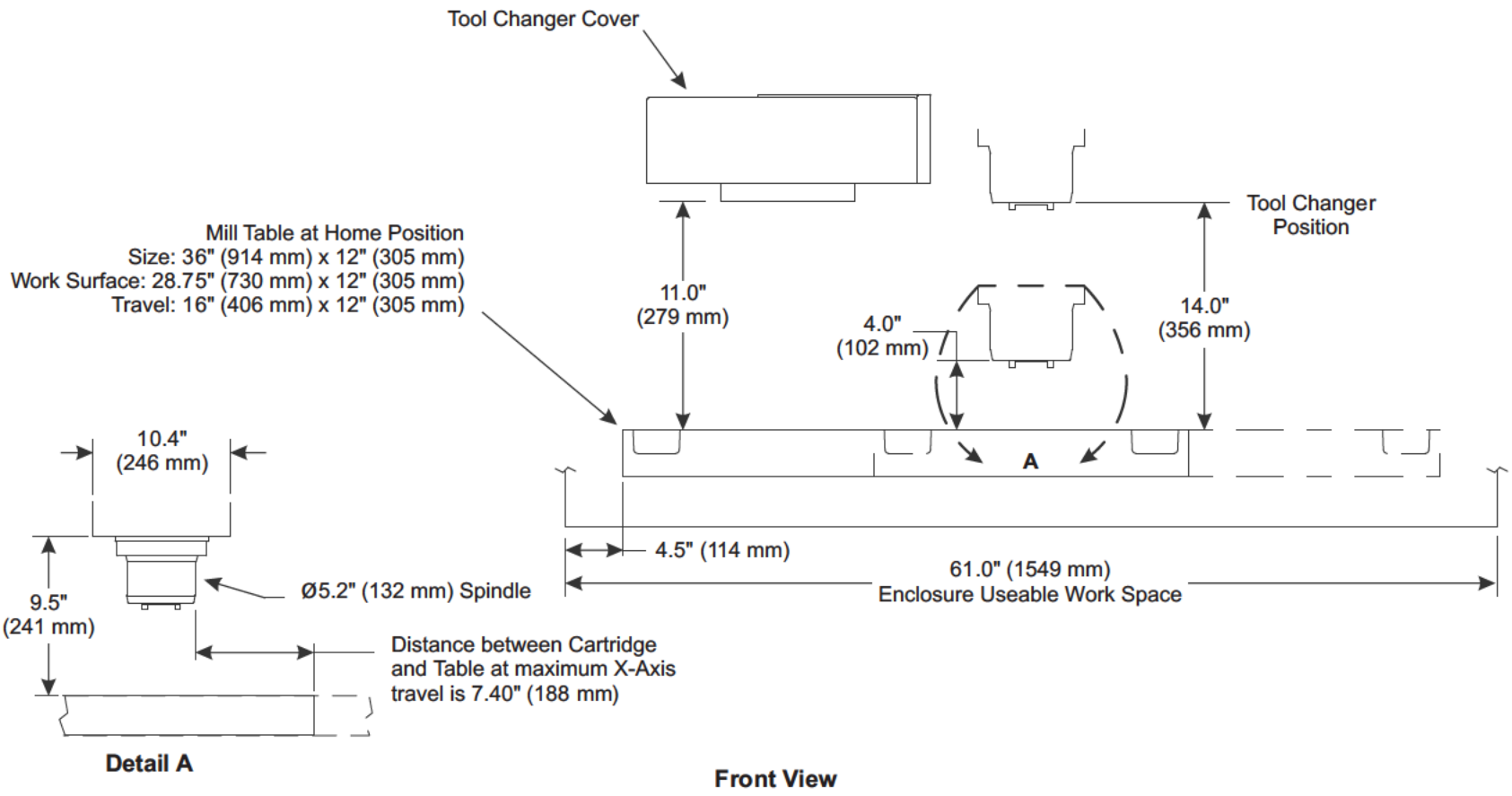


Mini Mill/Super Mini Mill Work Space Envelope



- NOTES:**
1. Table positions at Max X & Y travels
 2. Measurements are from the edge of Mill Table to nearest obstruction (1.e. enclosure, way cover, door, etc.)