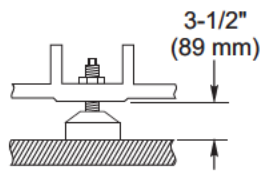
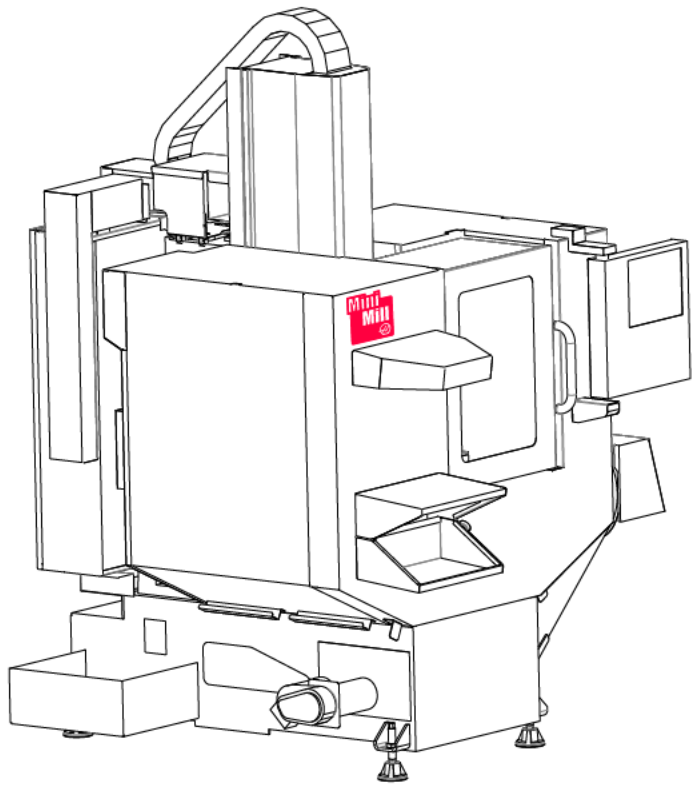
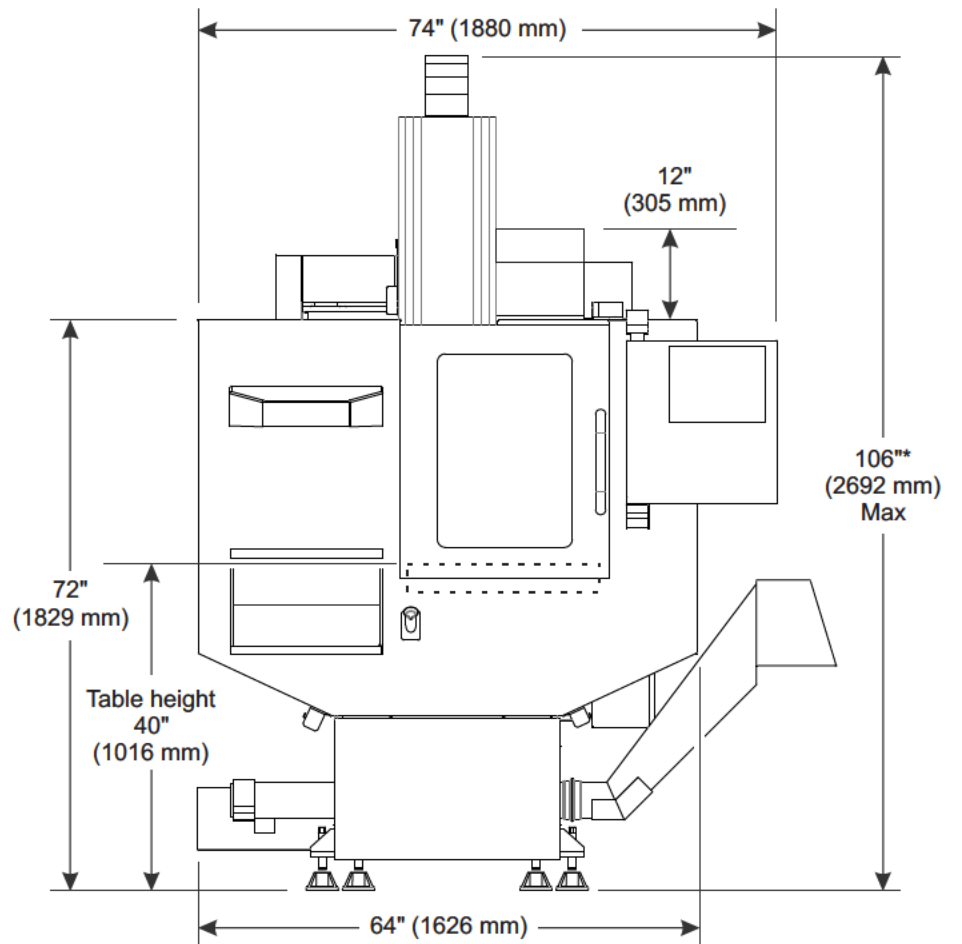
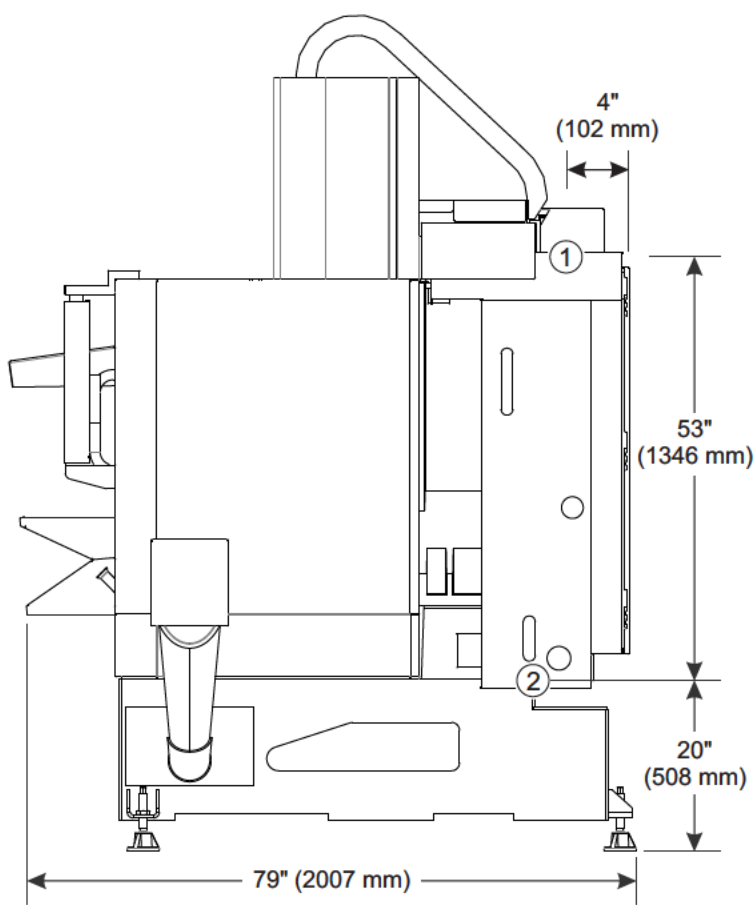
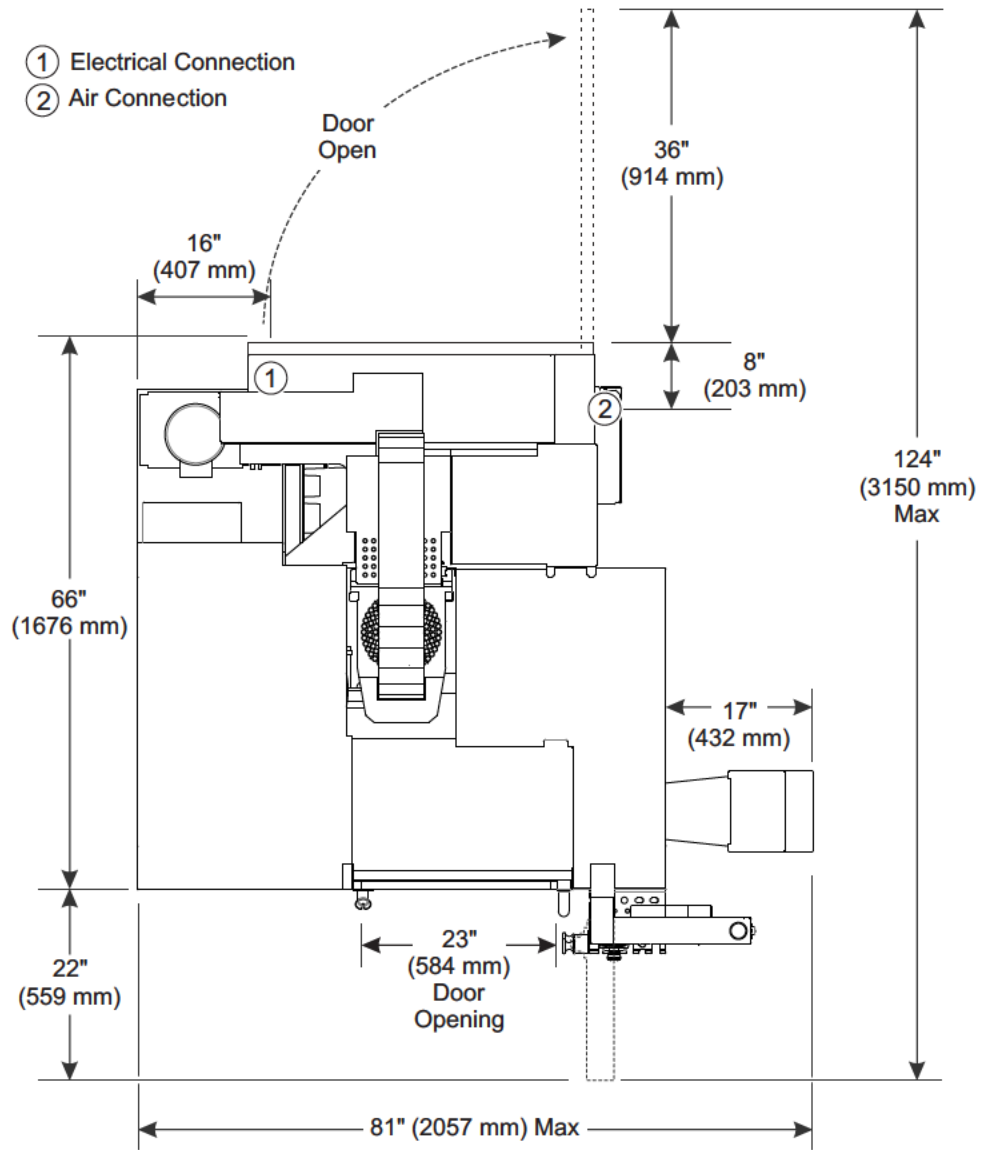


Mini Mill/Super Mini Mill Machine Layout Drawing

For machines built after July 2015

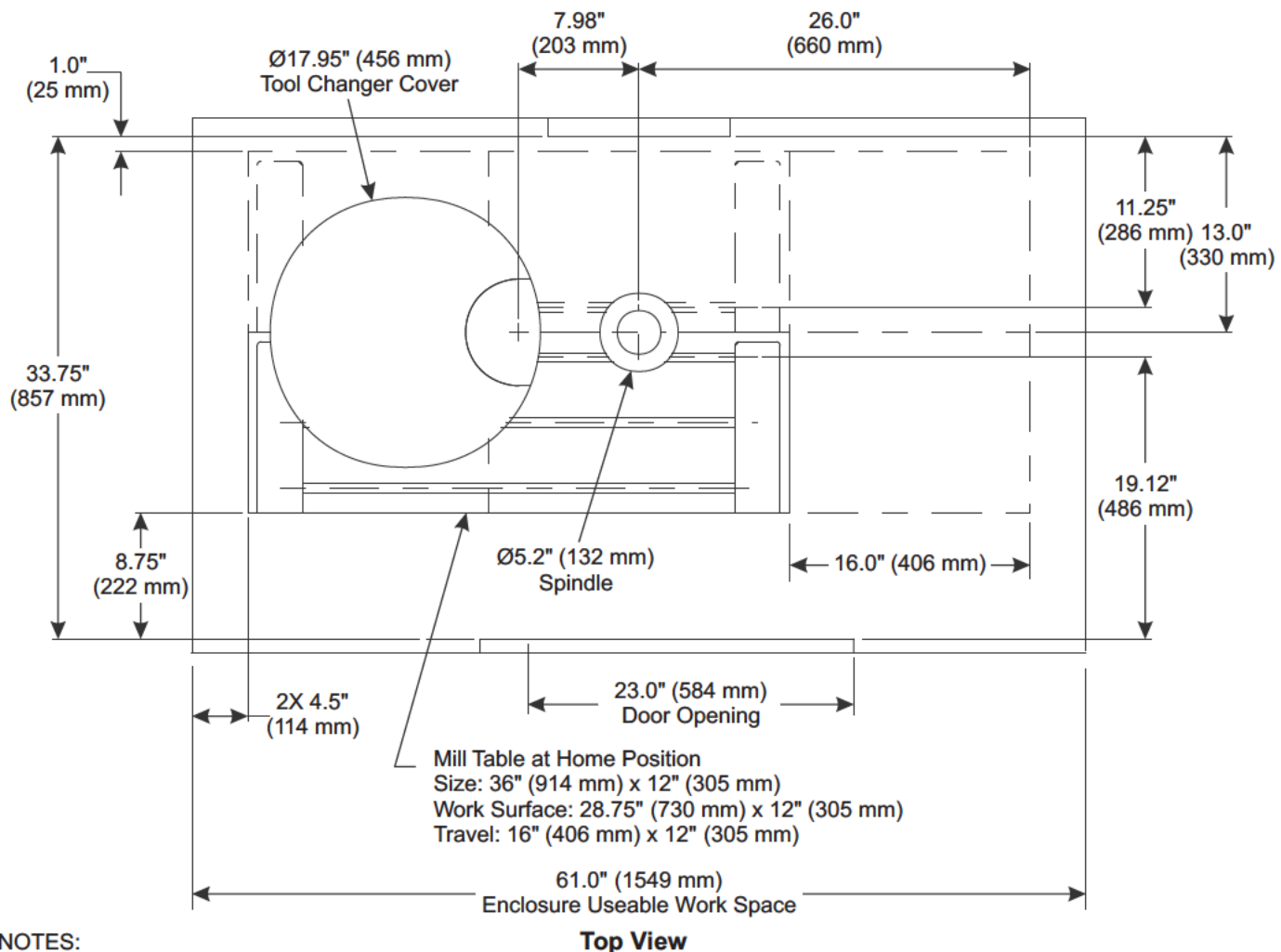
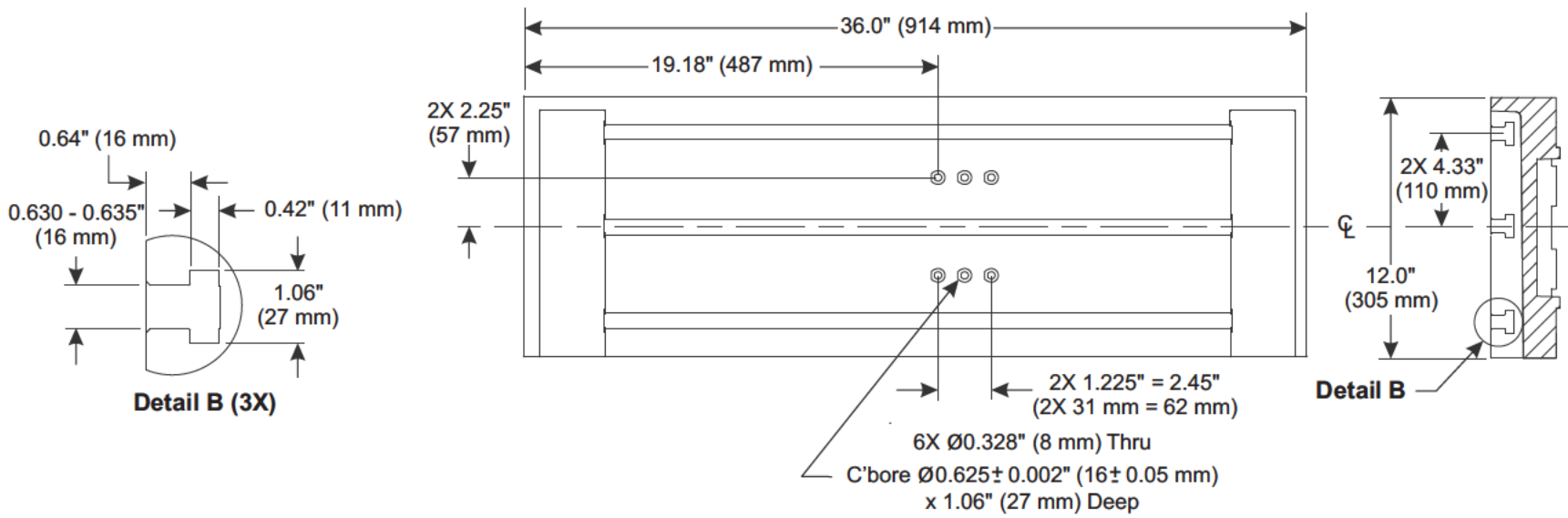
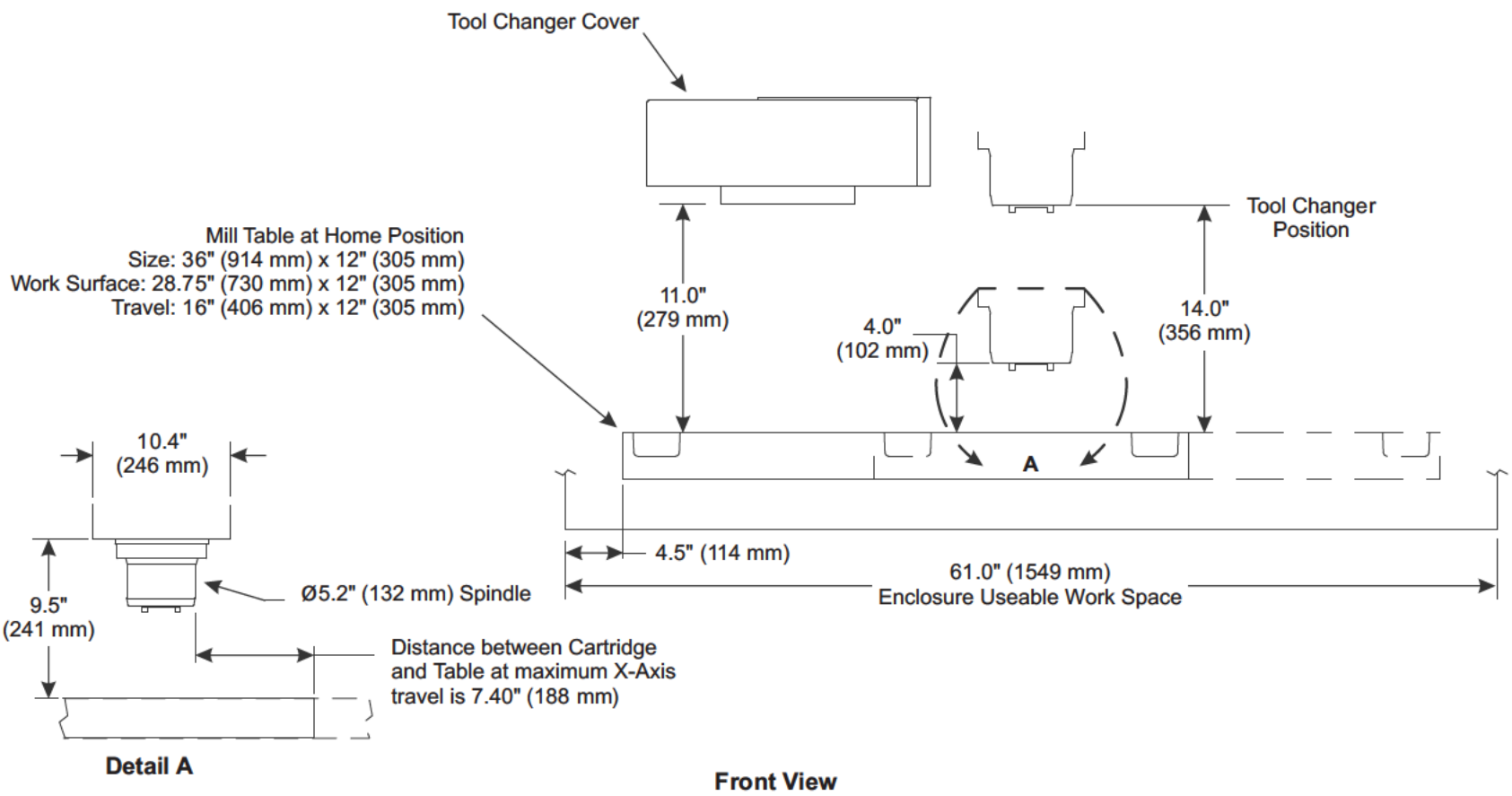


4X Leveling Pad Pin Dimension



*Shipping height: 92" (2337 mm)
Remove cable carrier to get to 80" (2032 mm)
Remove regen housing to get to 79" (2007 mm)
Spindle head is at 79" (2007 mm) in shipping position

Mini Mill/Super Mini Mill Work Space Envelope



- NOTES:**
1. Table positions at Max X & Y travels
 2. Measurements are from the edge of Mill Table to nearest obstruction (1.e. enclosure, way cover, door, etc.)