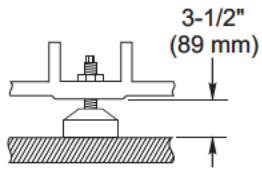


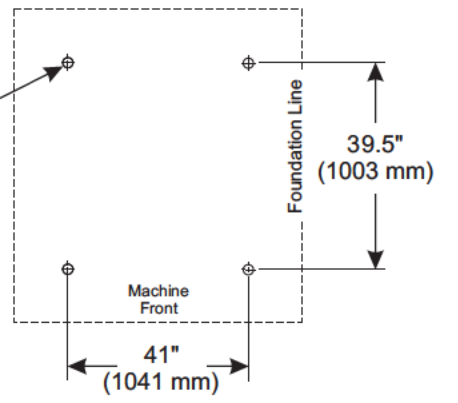
TM-2/TM-2P Machine Layout Drawing



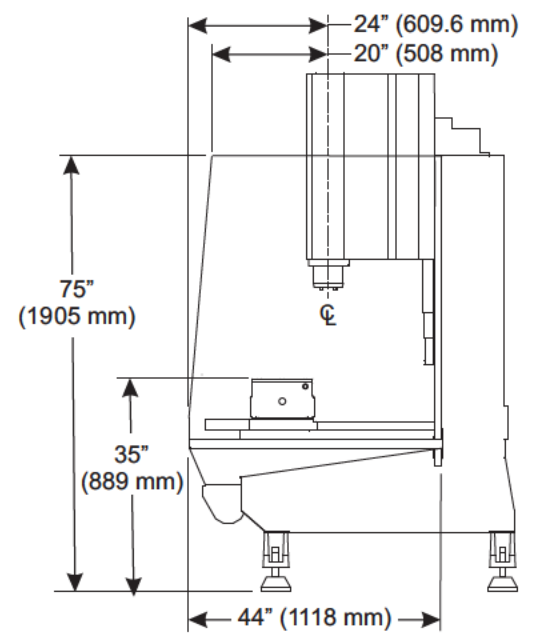
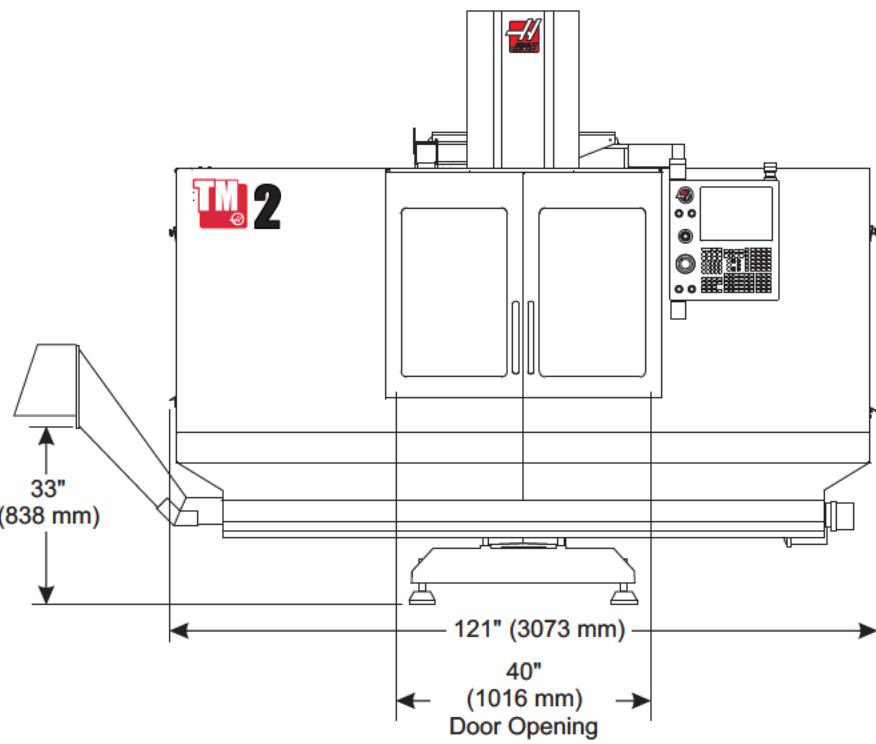
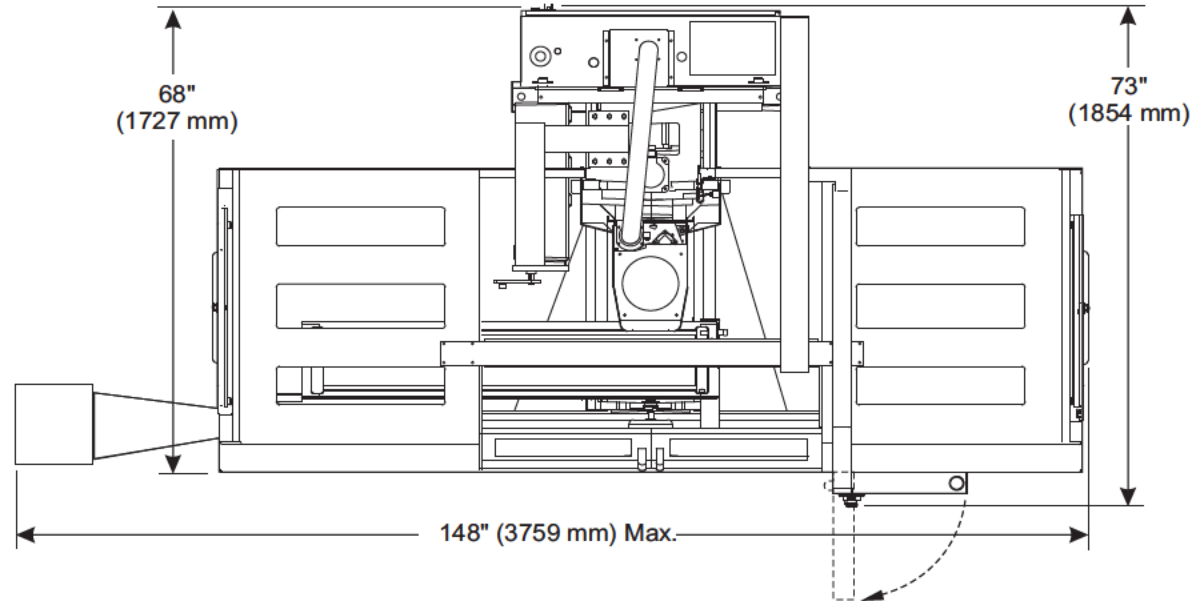
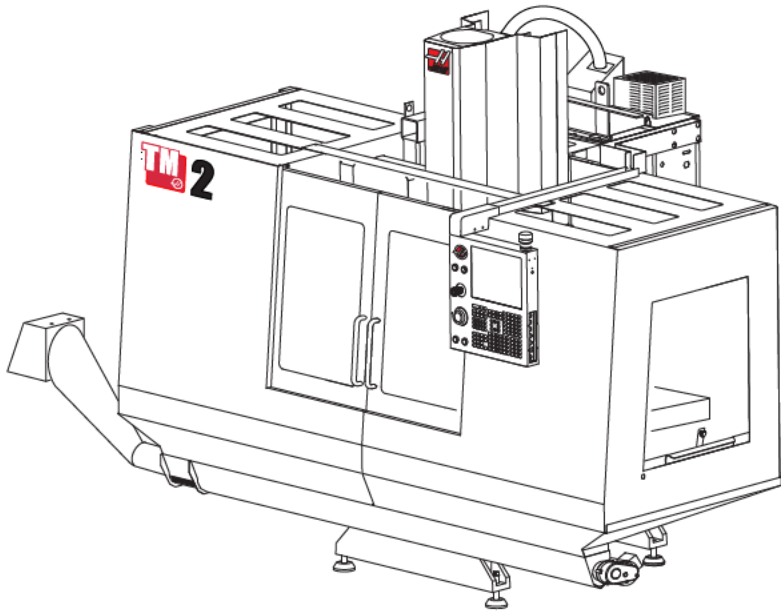
4X Leveling Pad Pin Dimension

(4X) Ø1-1/2 x 8-1/2" DP
(4X) Ø38 x 216 mm DP

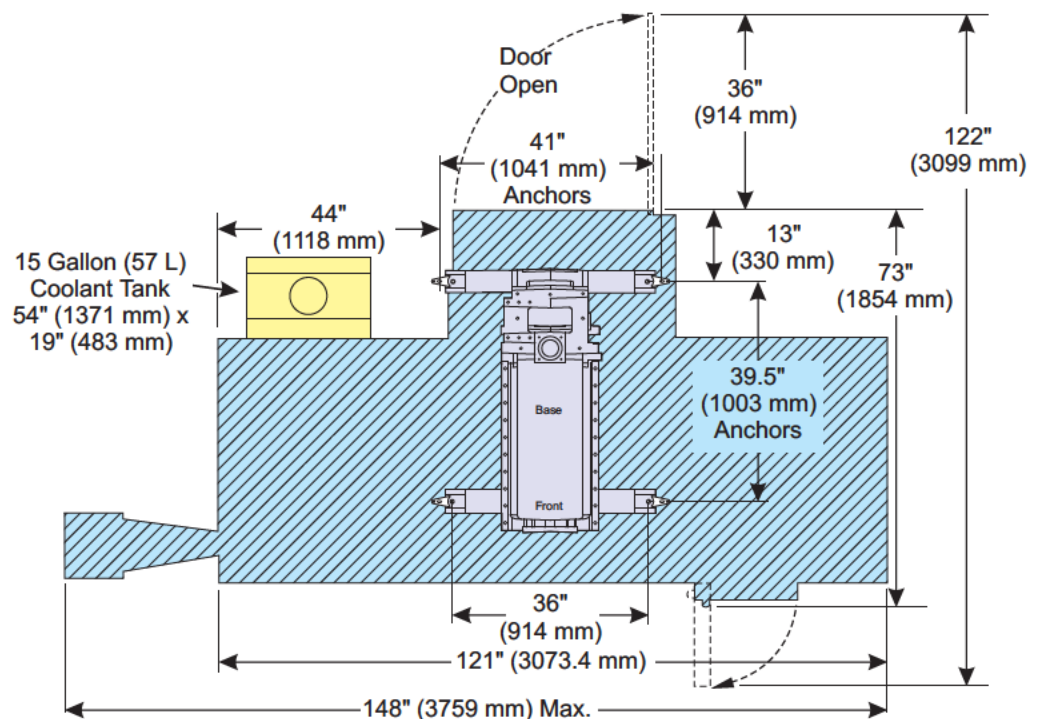
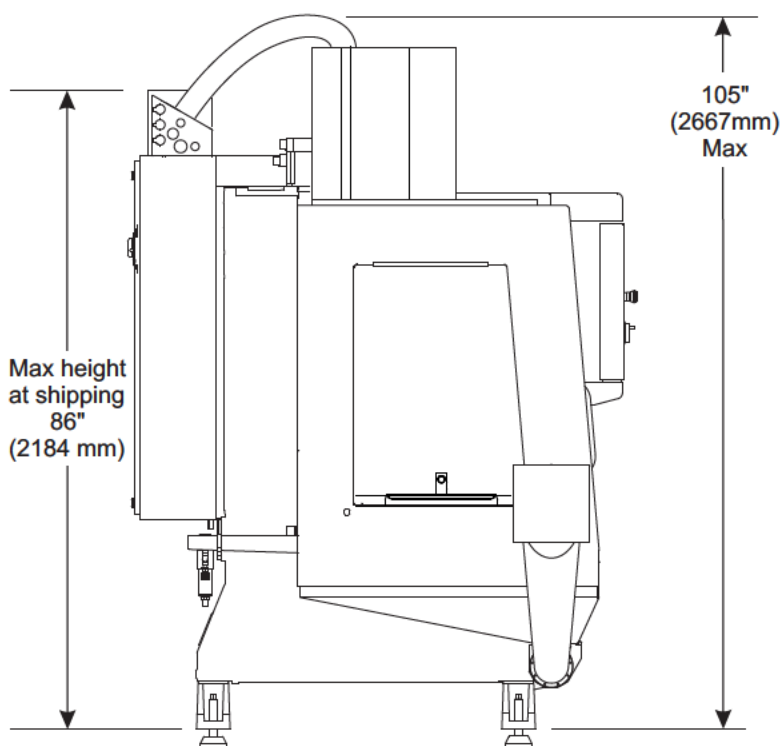
Note:
Foundation must extend at least 1 ft. (305 mm) from bored holes.



TM-2 Anchor Pattern

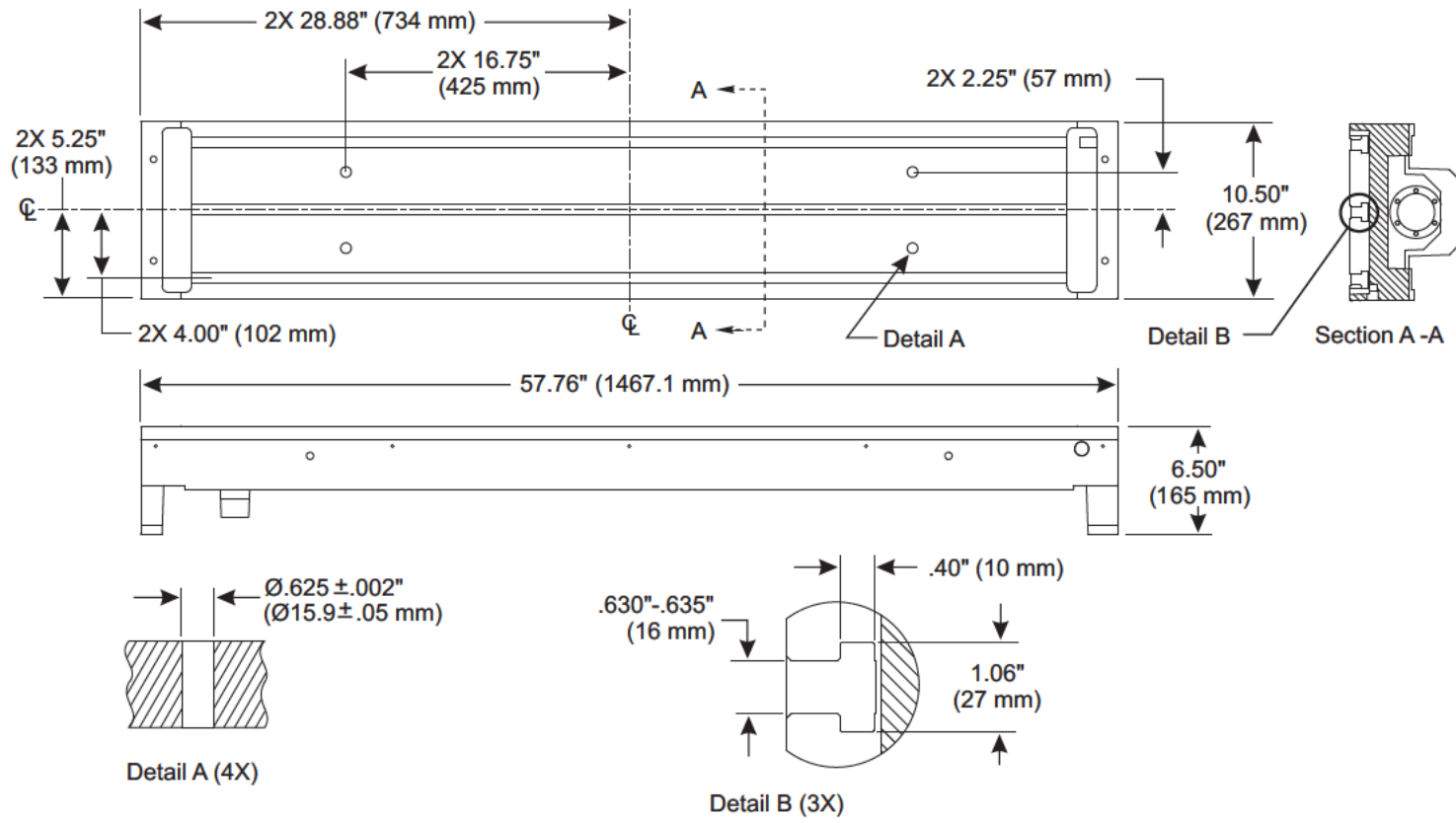


TM-2 Sheet Metal Removed for Clarity

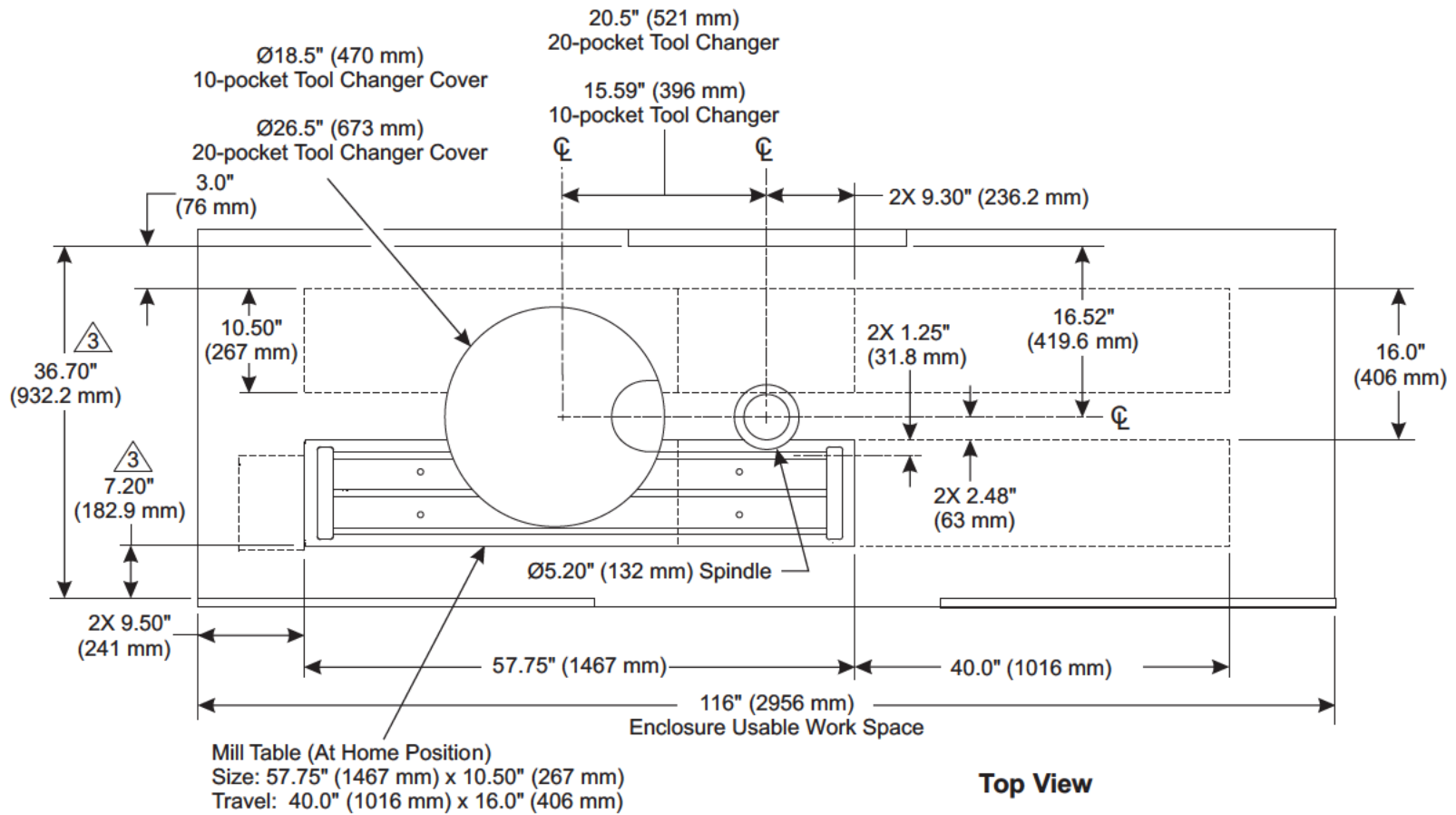


TM-2/TM-2P Machine Layout Drawing

TM-2 Enclosure Work Space



TM-2 Table Dimensions



- Notes: 1. Table position(s) at max X and Y travels.
 2. Measurements are from the edge of Mill table to nearest obstruction (ie. Enclosure, Waycover, Doors, etc.).
 Dimensions are reduced as height above Table increases.
 ie. Front of enclosure is sloped 5" inward from bottom to top.
 dimensions shown are at Table top height.

