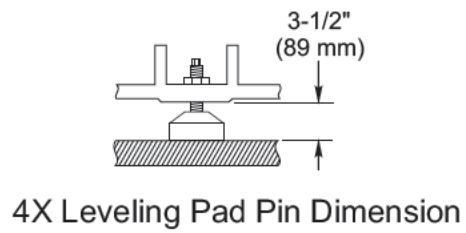
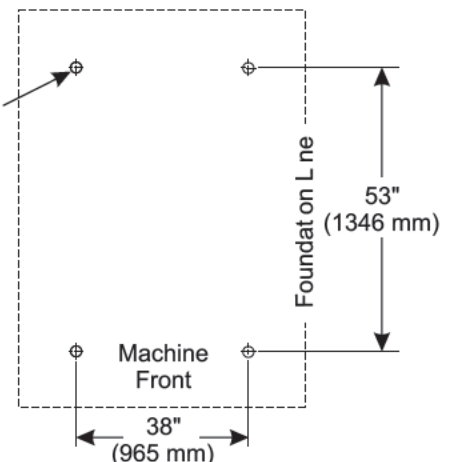


TM-3/TM-3P Machine Layout Drawing

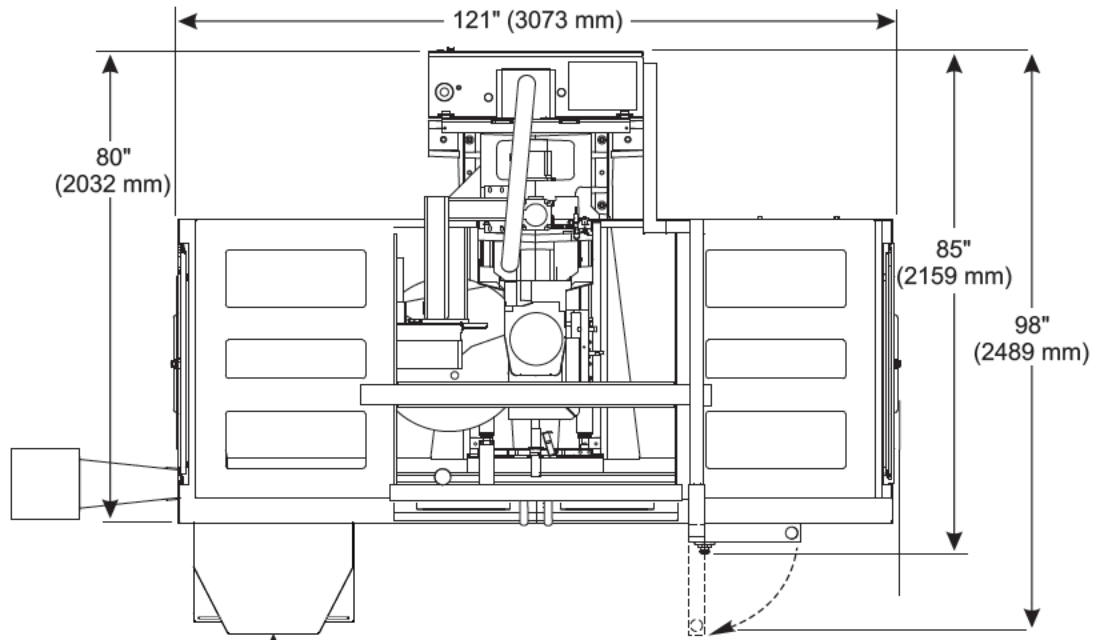
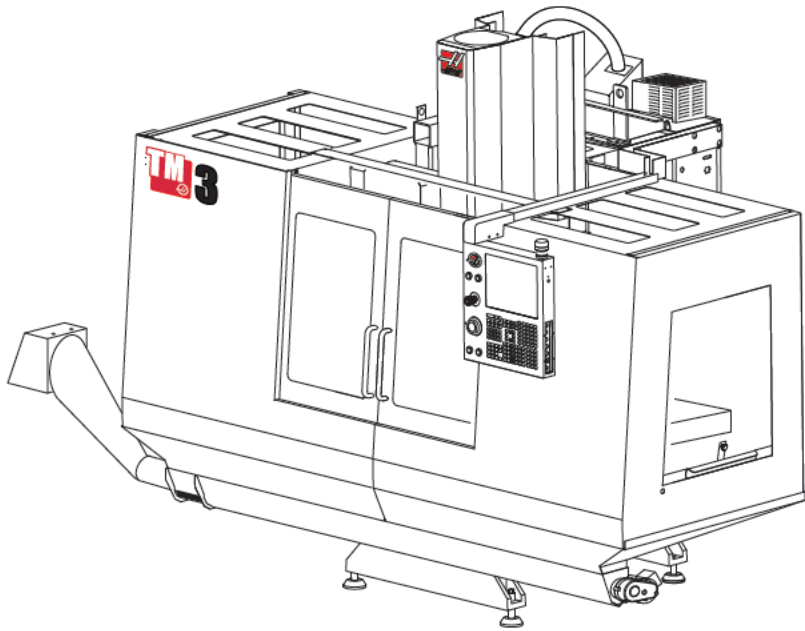


(4X) Ø1-1/2 x 8-1/2" DP
(4X) Ø38 x 216 mm DP

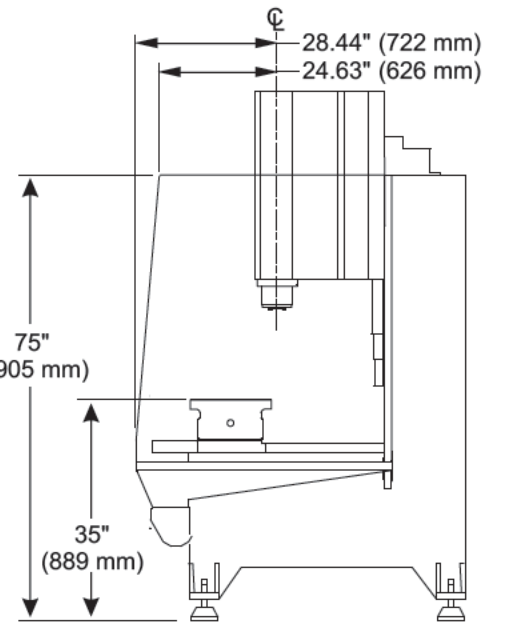
Note:
Foundation must extend
at least 1 ft. (305 mm)
from bored holes.



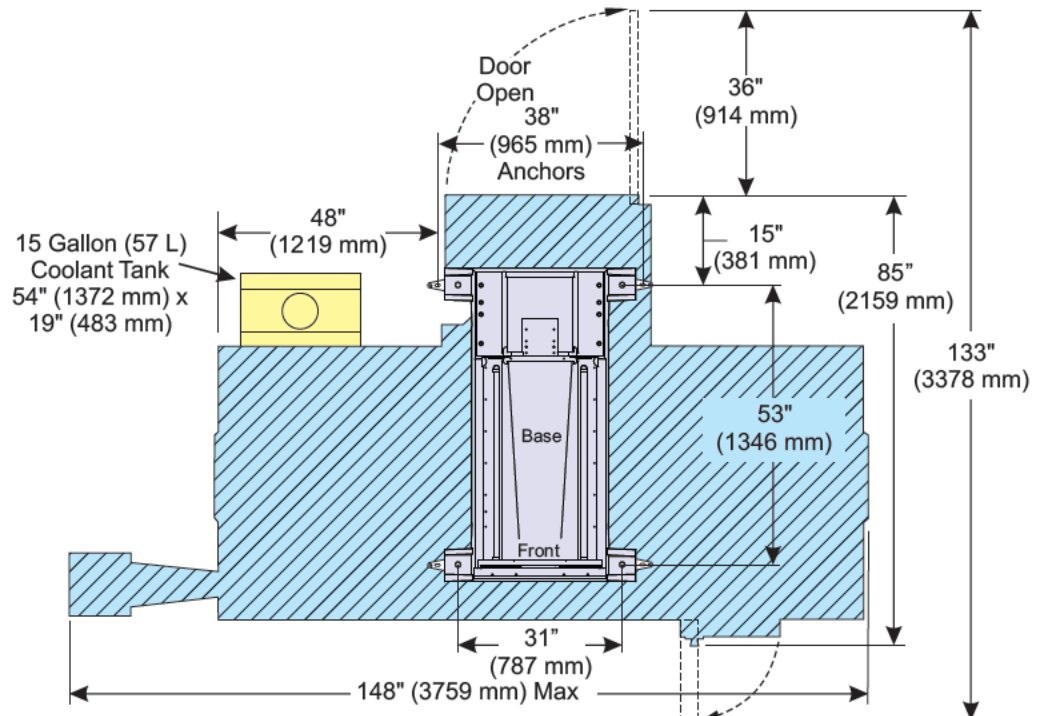
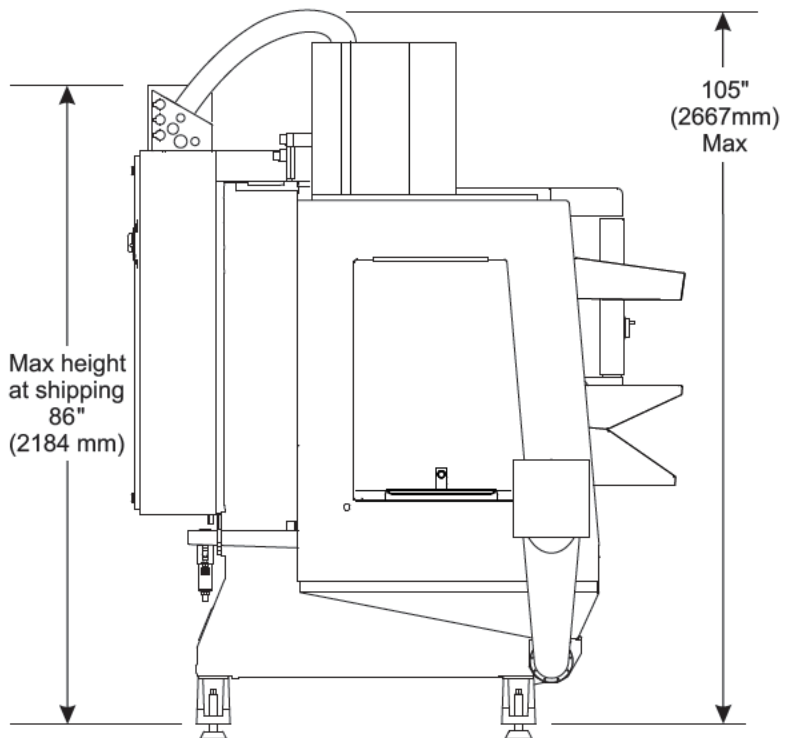
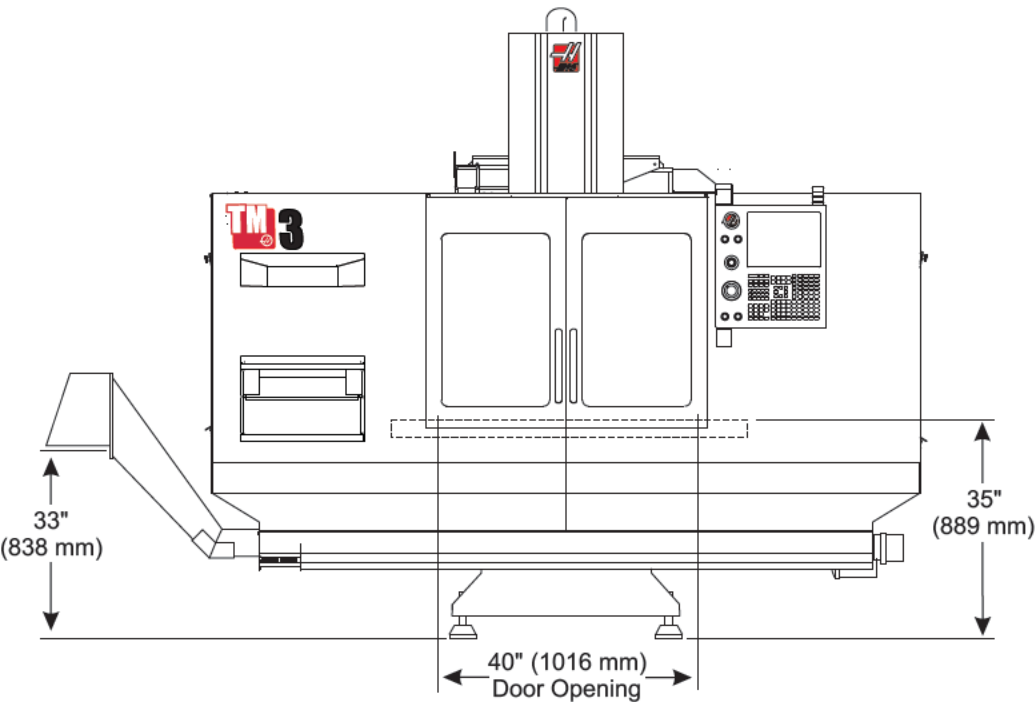
TM-3 Anchor Pattern



Convenience Package
Optional on TMs
Standard on TM-Ps



TM-3 Sheet Metal Removed for Clarity



TM-3/TM-3P Machine Layout Drawing

TM-3 Enclosure Work Space

