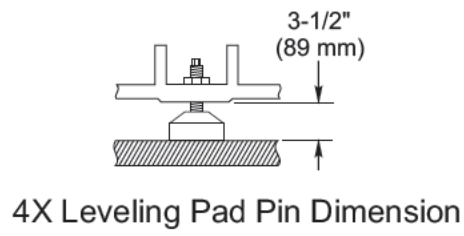
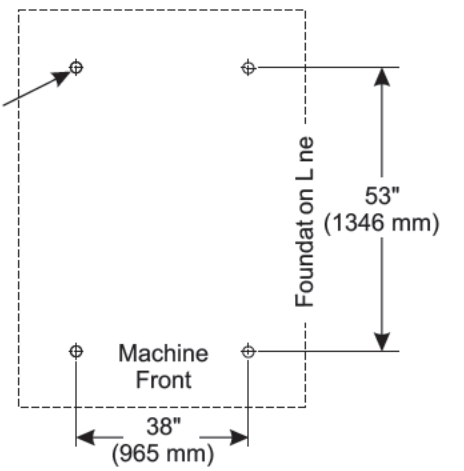


# TM-3/TM-3P Machine Layout Drawing

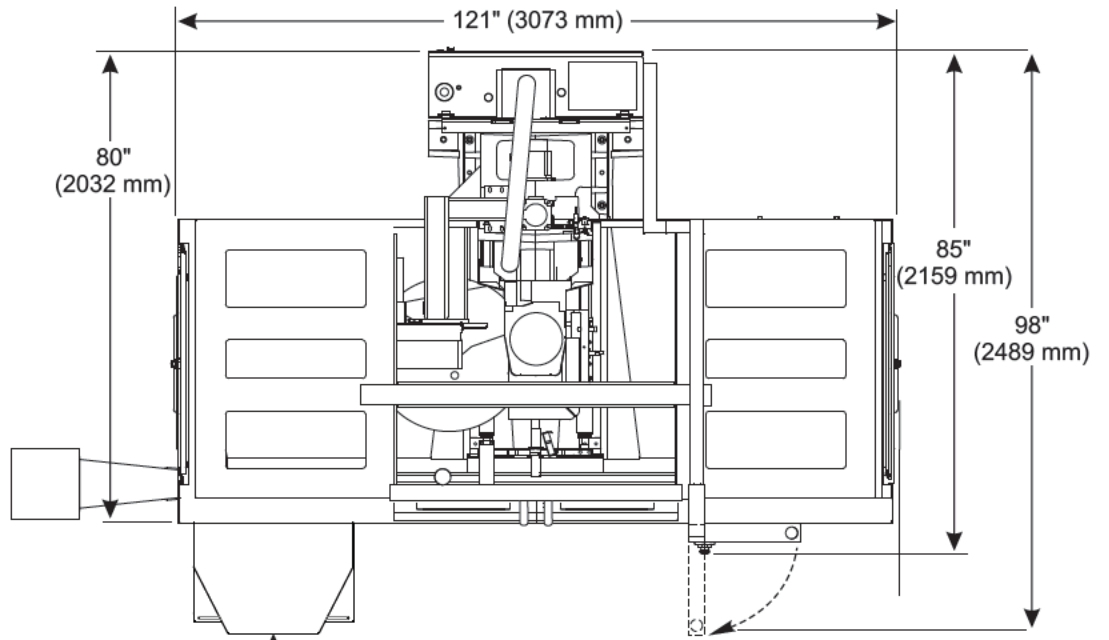
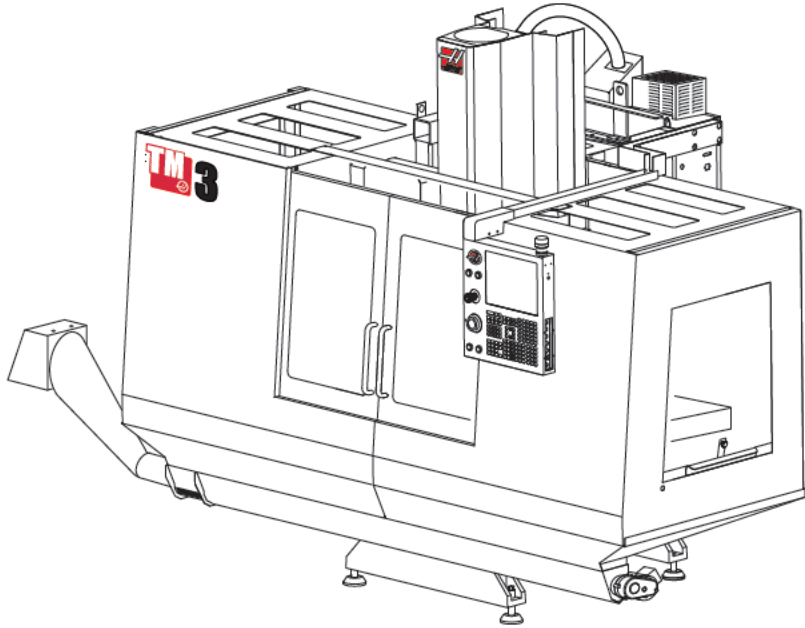


(4X) Ø1-1/2 x 8-1/2" DP  
((4X) Ø38 x 216 mm DP)

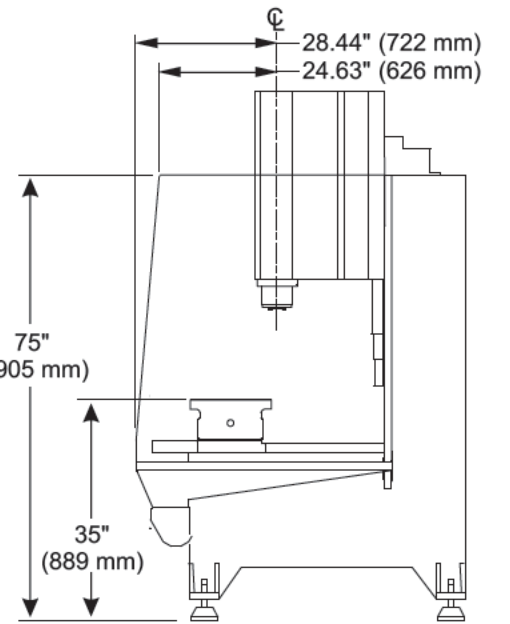
Note:  
Foundation must extend  
at least 1 ft. (305 mm)  
from bored holes.



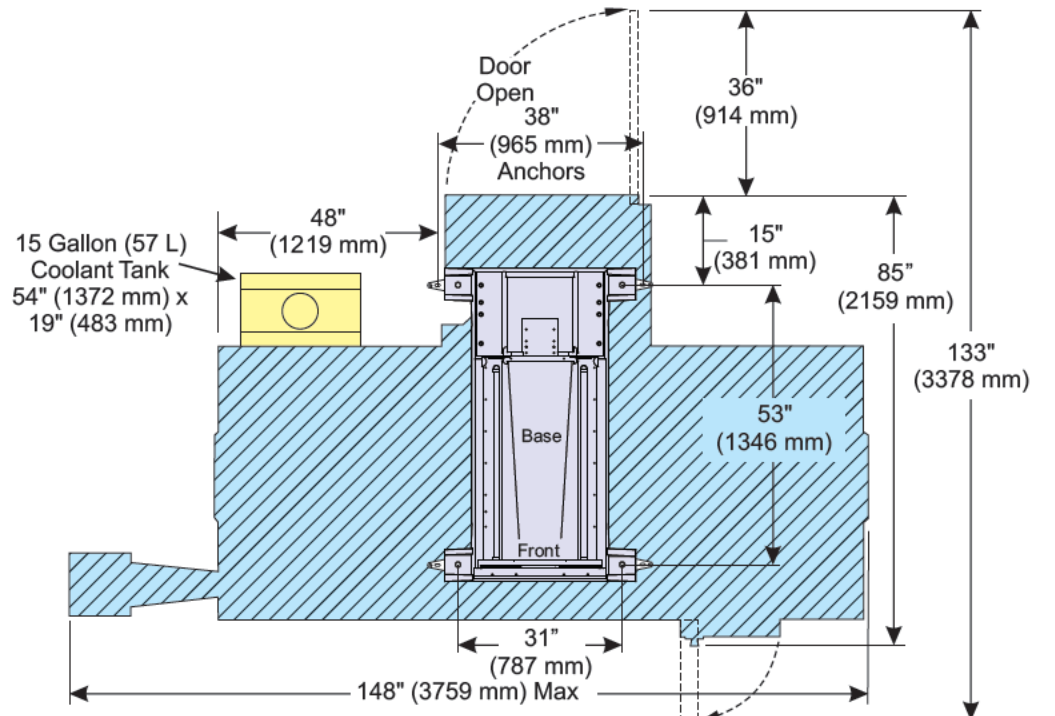
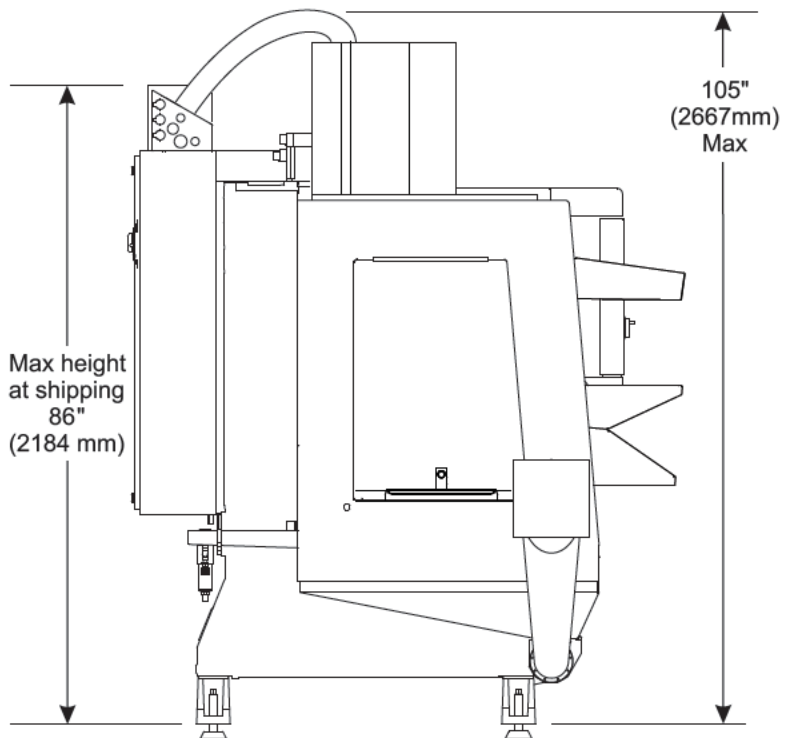
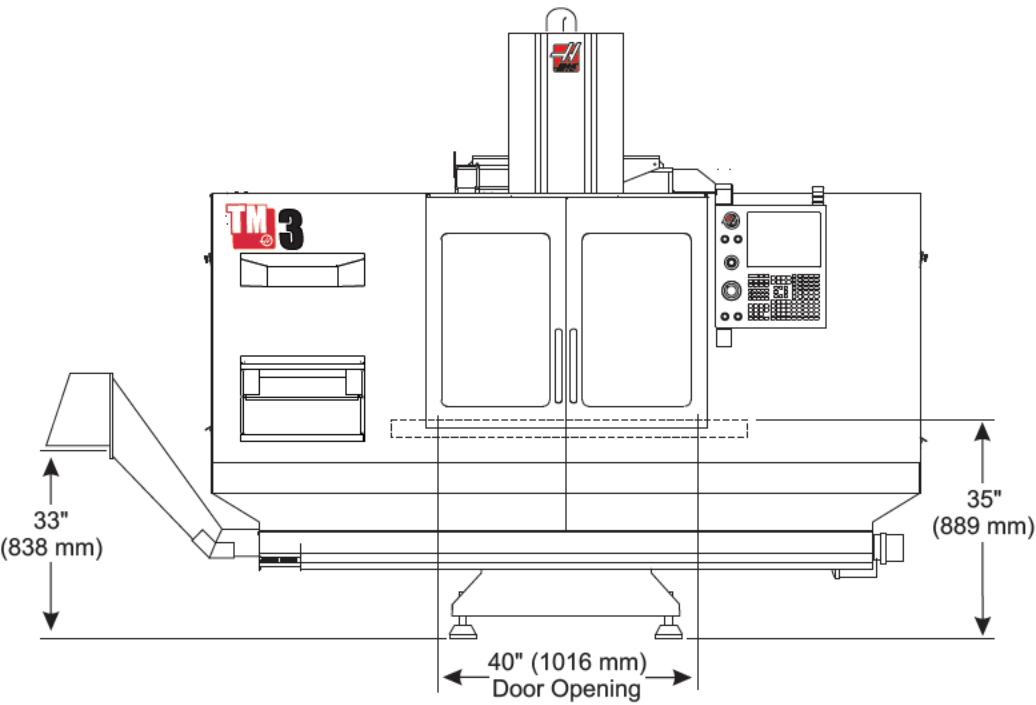
TM-3 Anchor Pattern



Convenience Package  
Optional on TMs  
Standard on TM-Ps



TM-3 Sheet Metal Removed for Clarity



# TM-3/TM-3P Machine Layout Drawing

## TM-3 Enclosure Work Space

