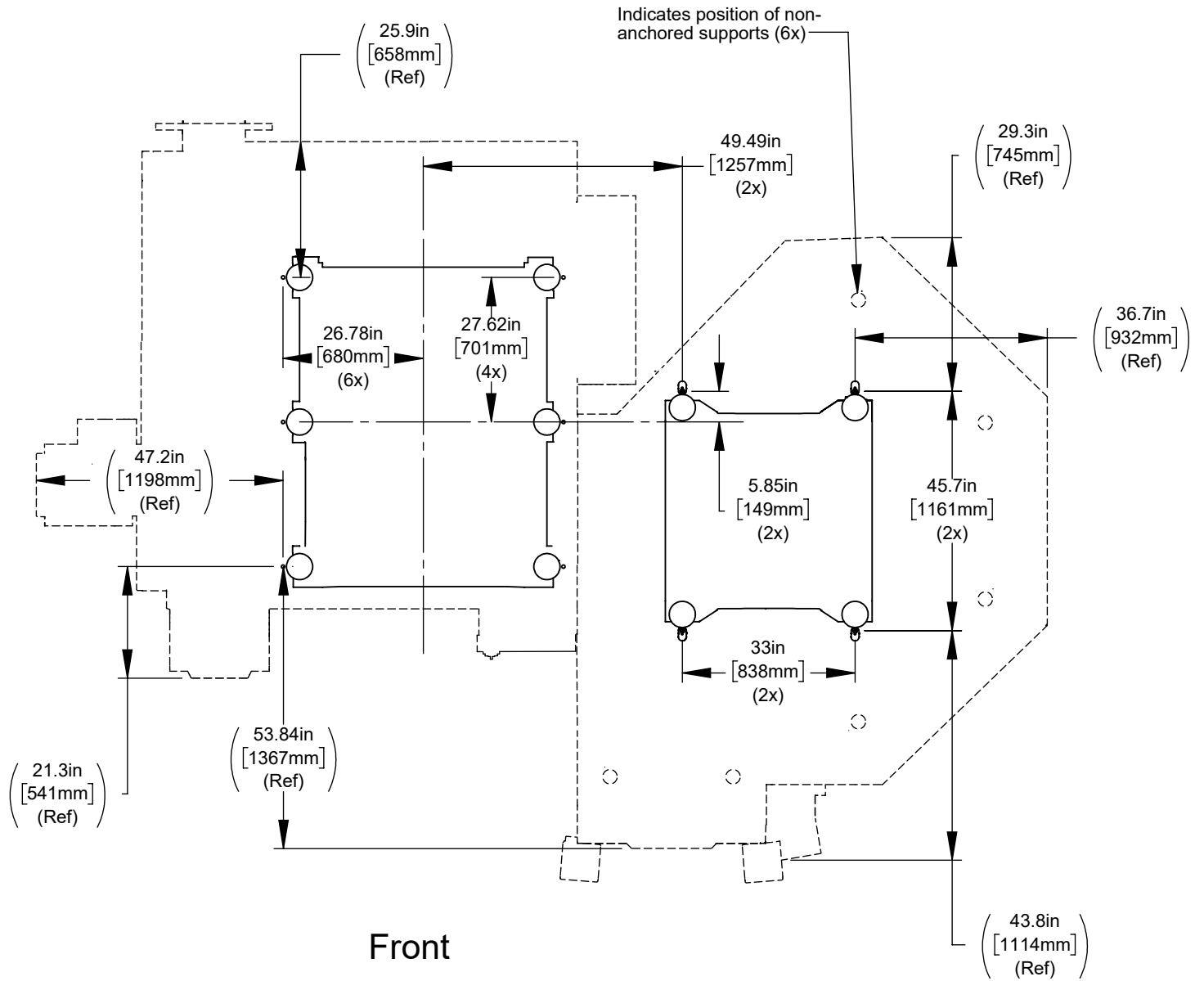
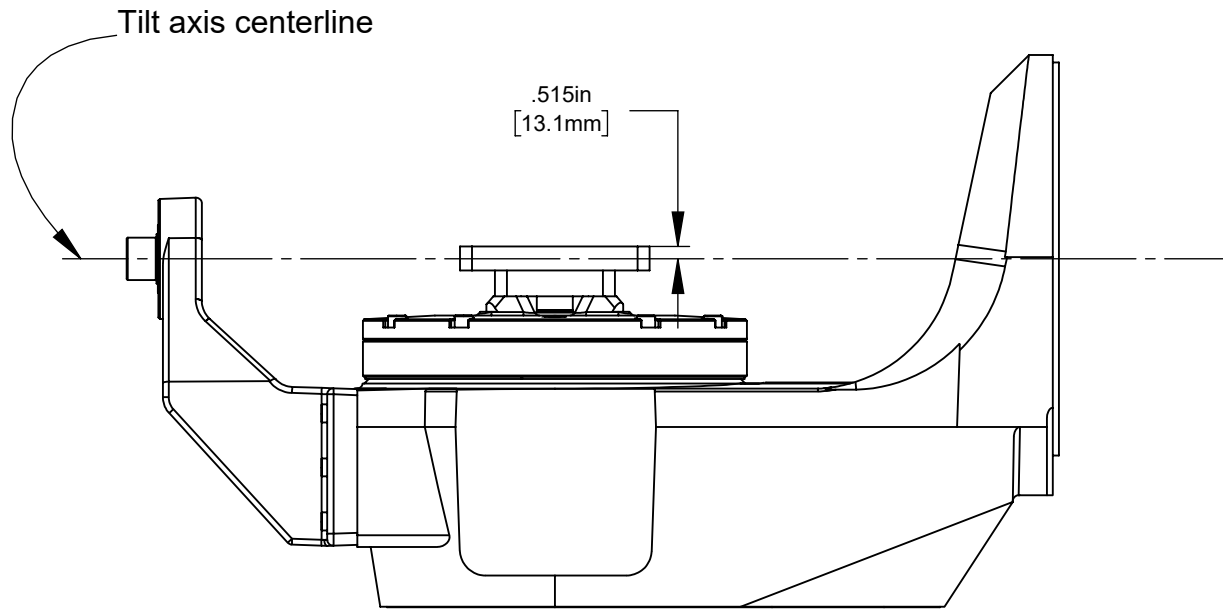


Please see the UMC-500 Layout Drawing for additional measurements and specifications of the machine



Center of Rotation



Pallet Pool Z Clearance

