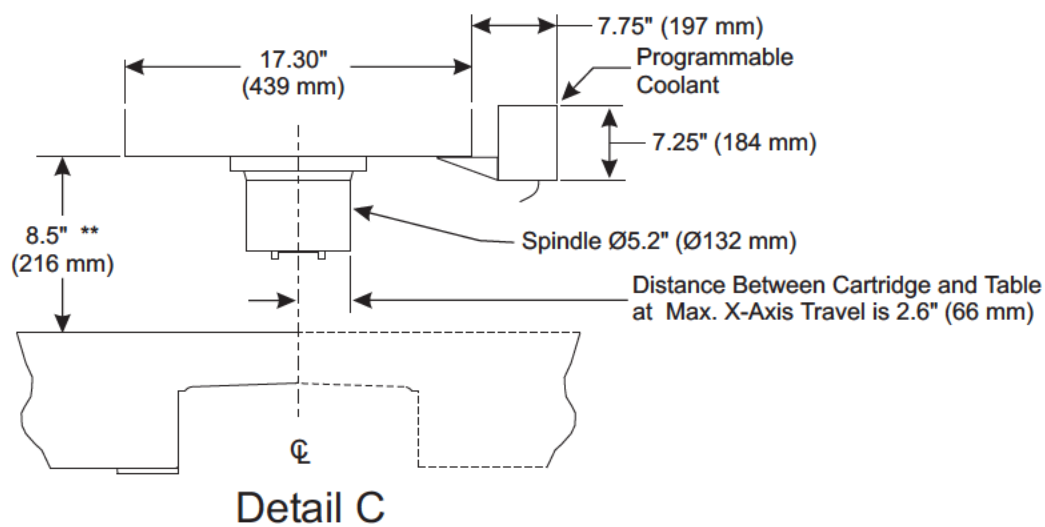
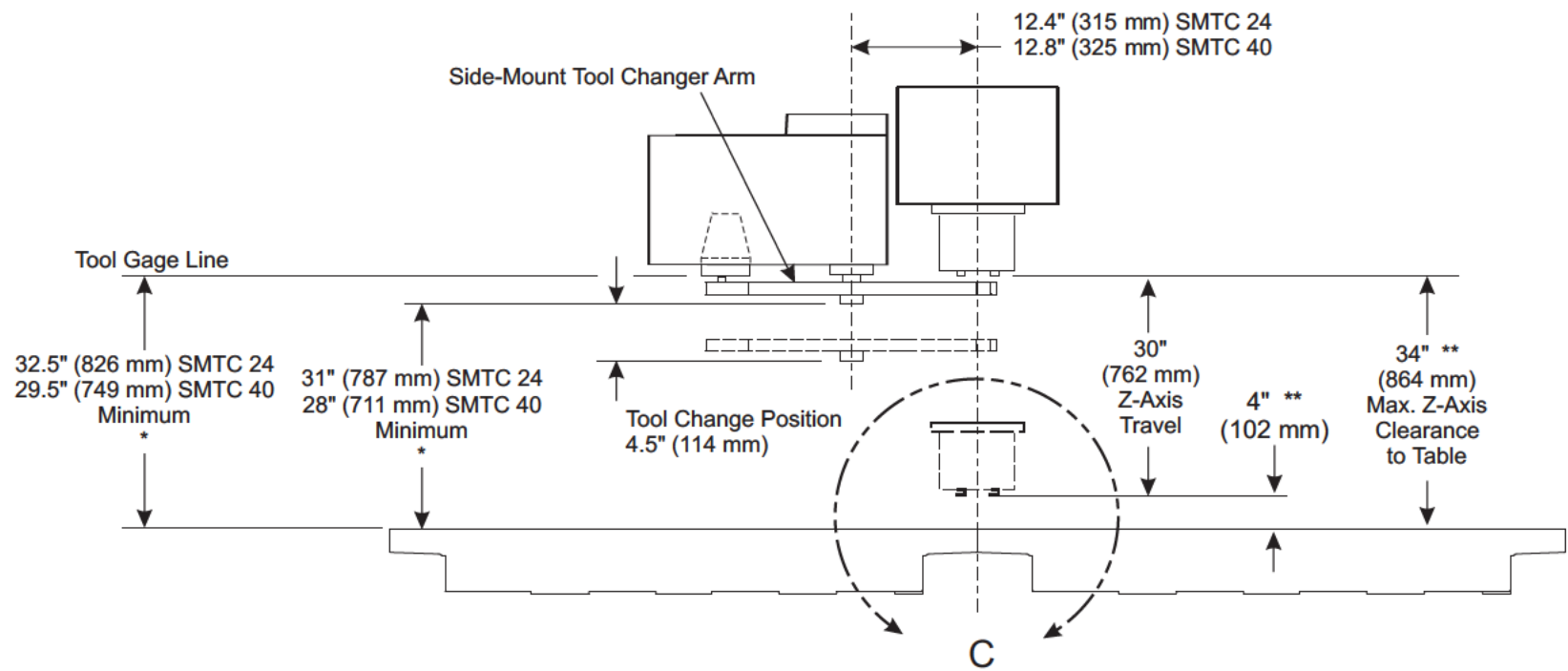






# VF-6/40, VF-6SS Machine Layout Drawing



Front View

VF-6 Enclosure Usable Work Space