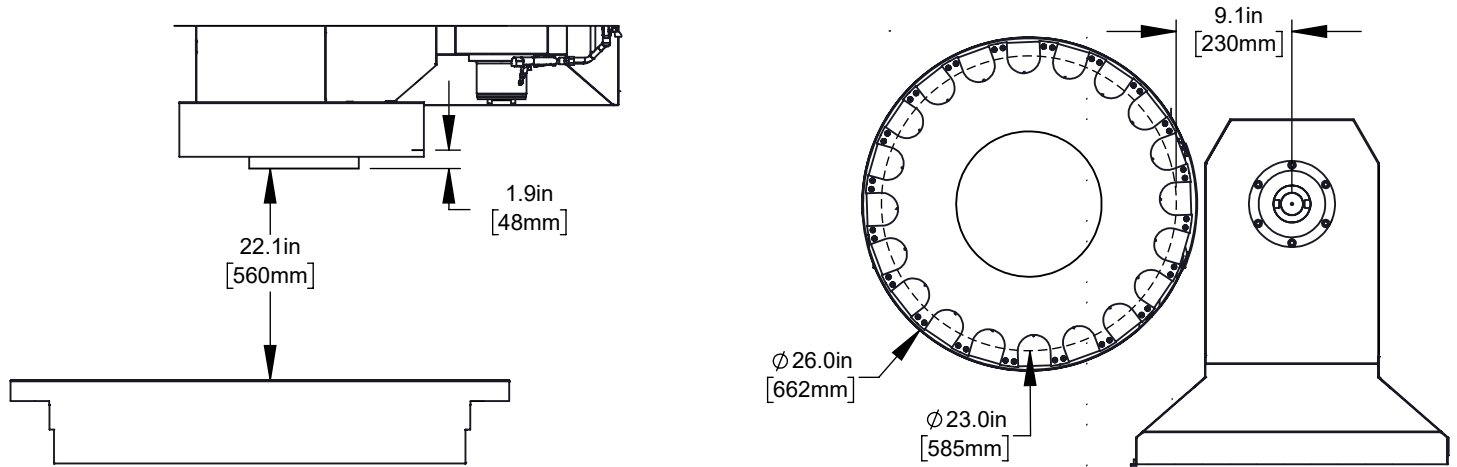
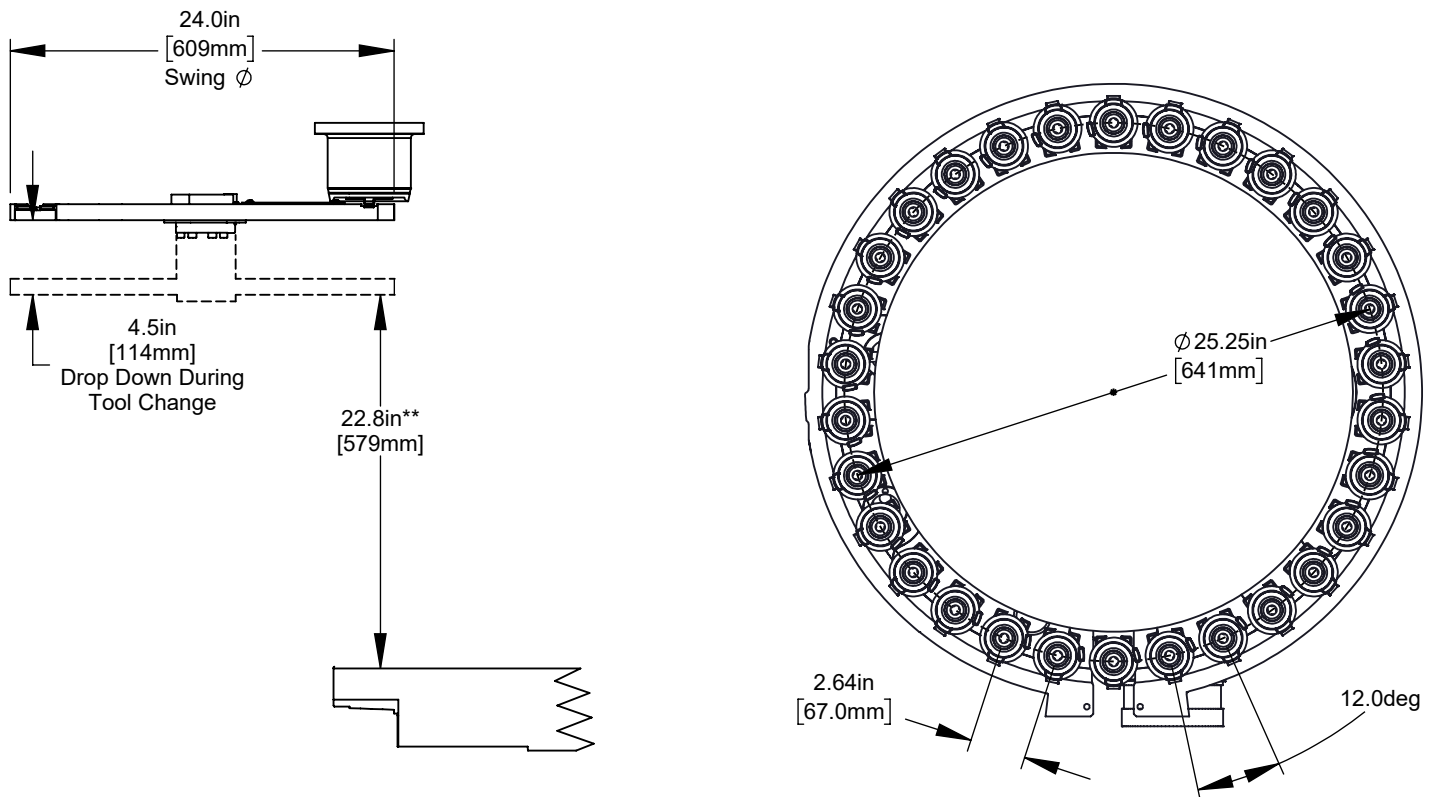


Umbrella Tool Changer



Side Mount Tool Change



**Add 3.0 in [76mm] if Extended Z Clearance option is selected