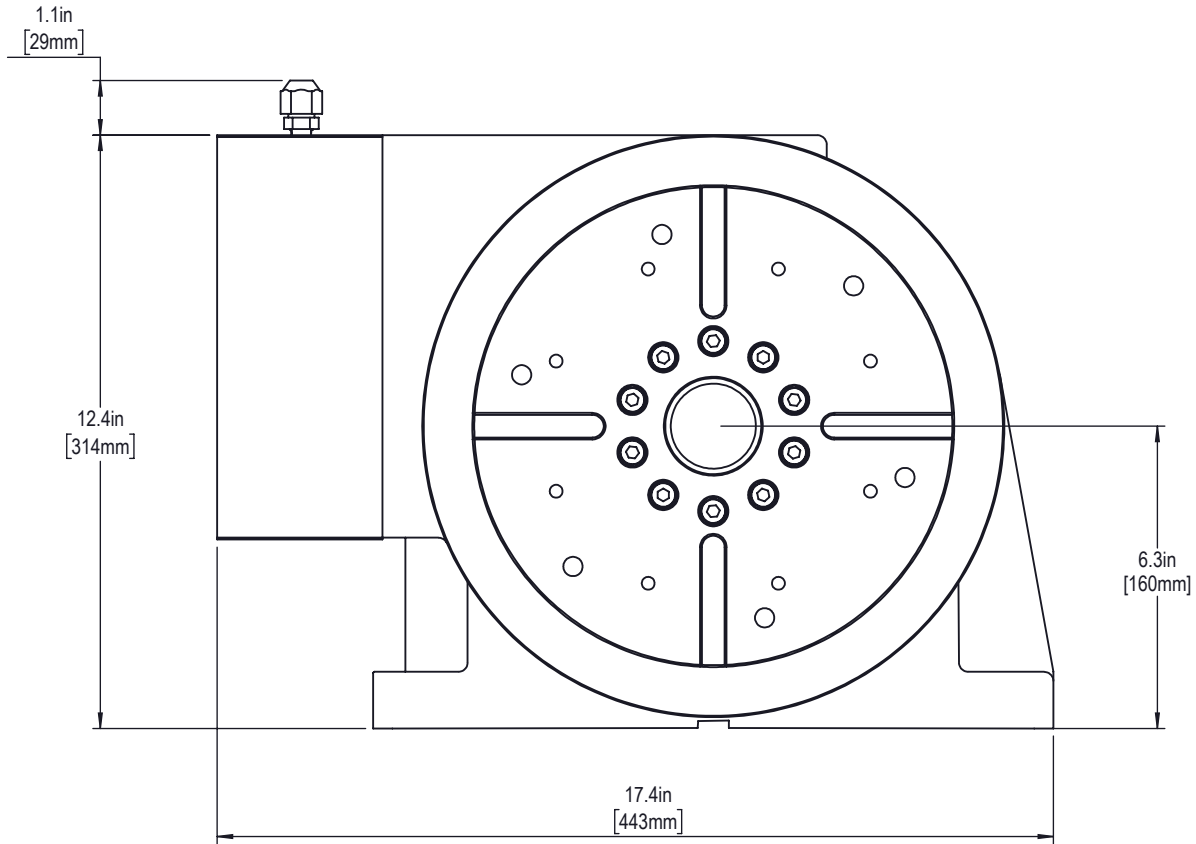
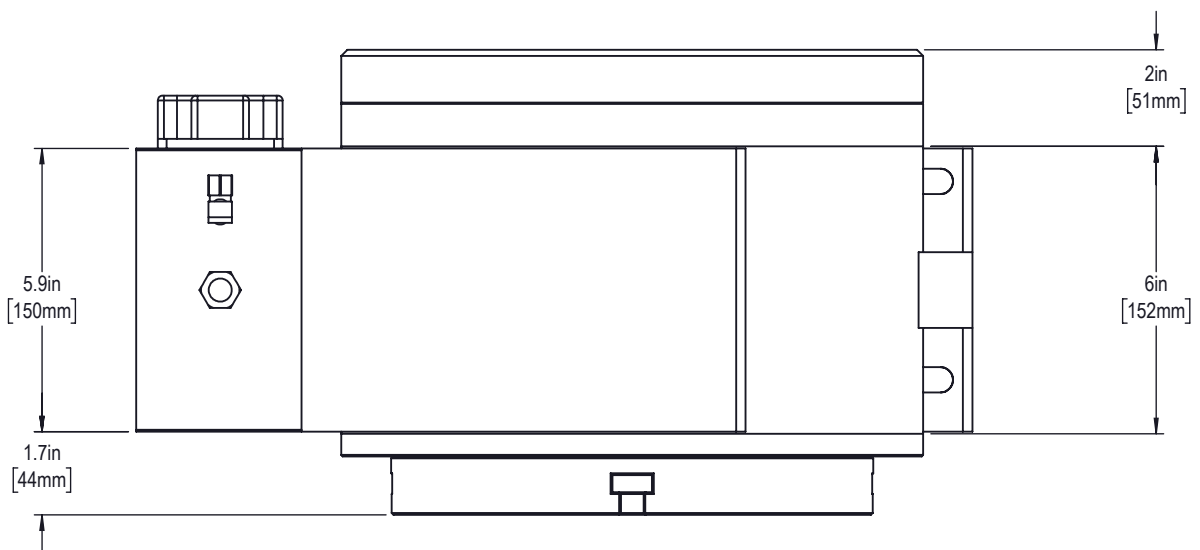




FRONT VIEW



TOP VIEW

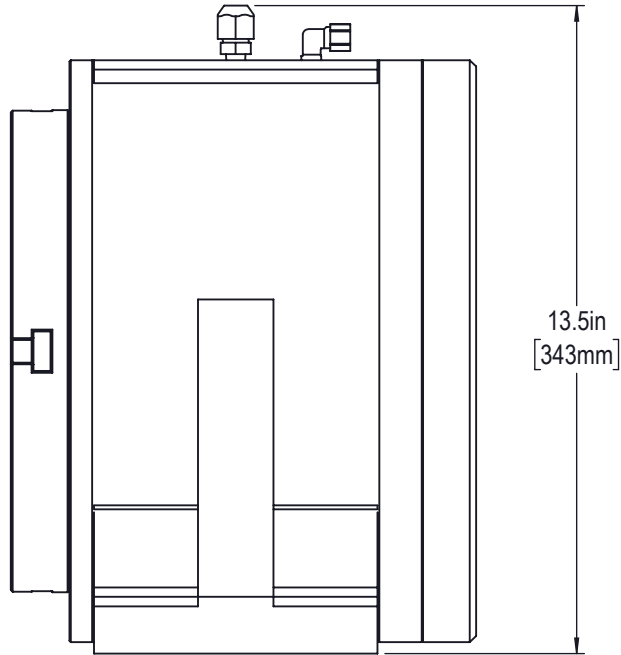


PLATTER SIDE

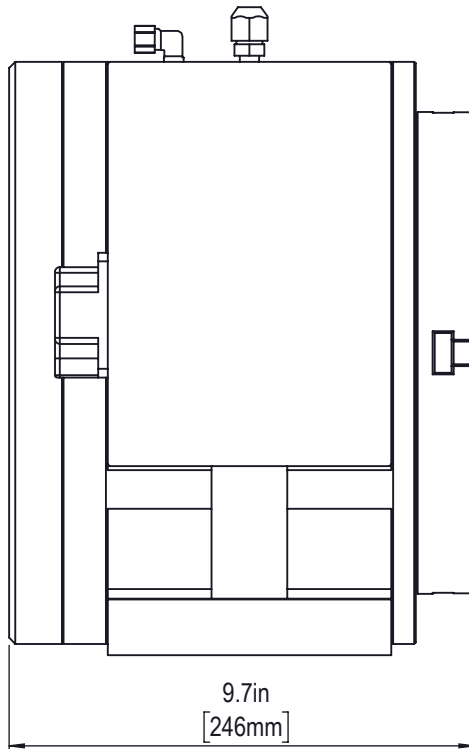


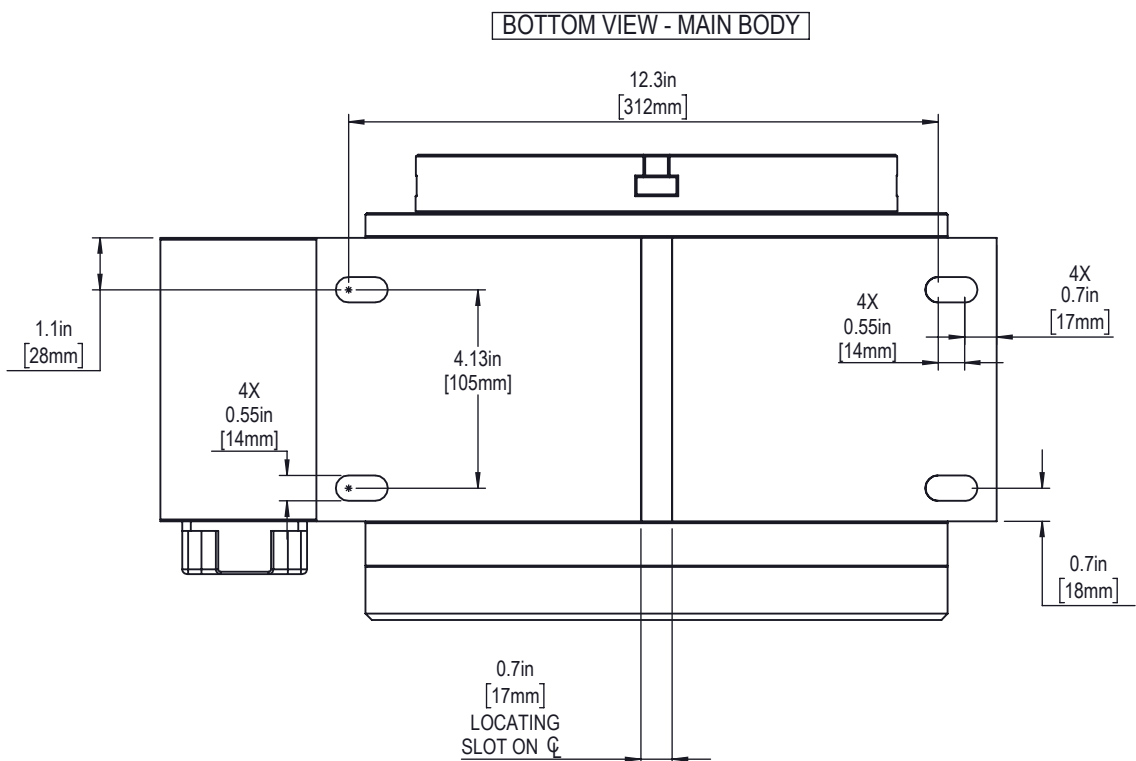
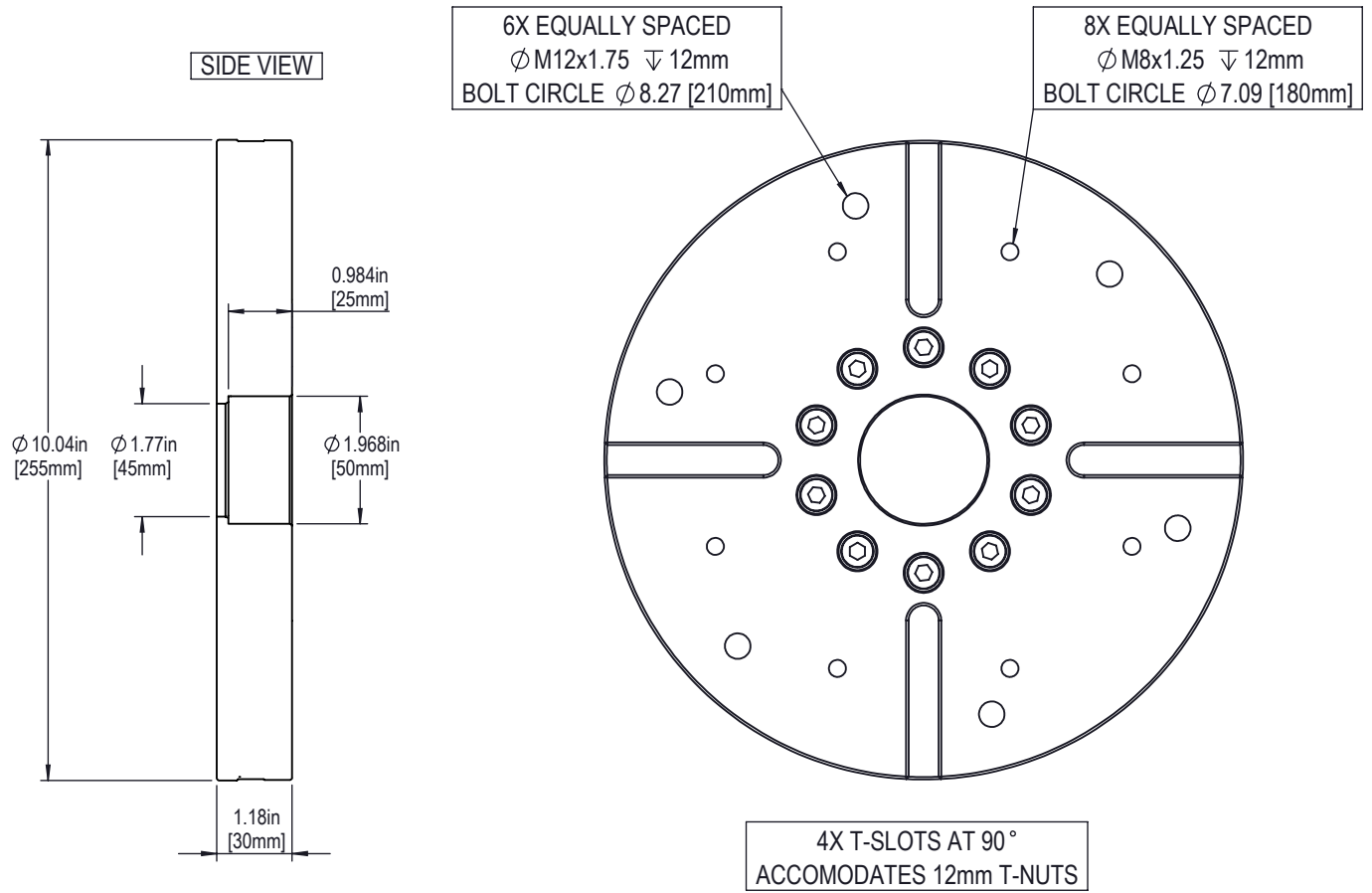
RIGHT SIDE VIEW

PLATTER
SIDE

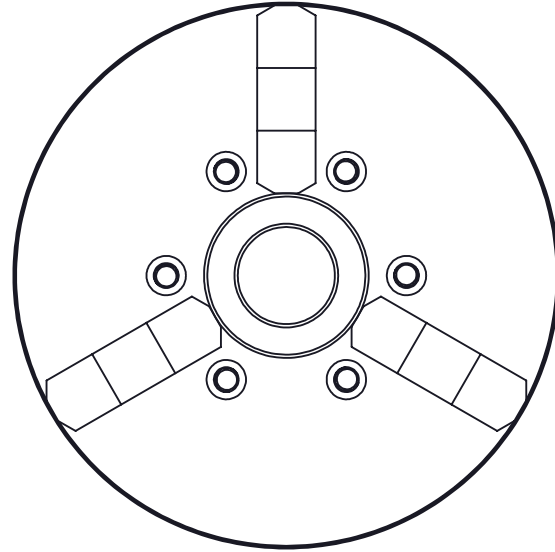
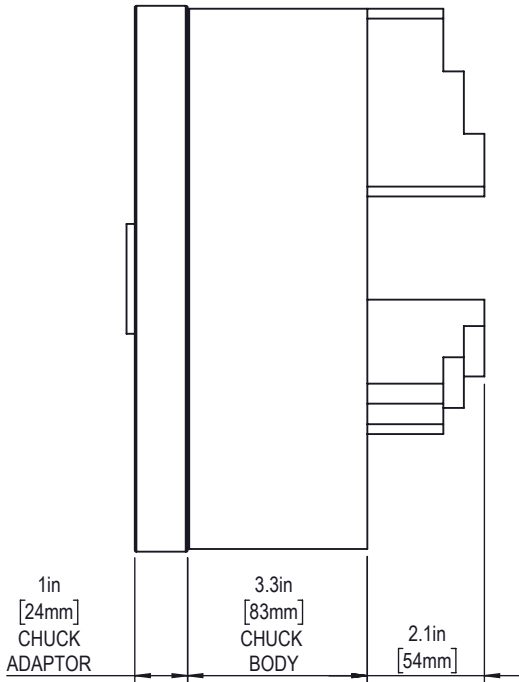


LEFT SIDE VIEW





OPTIONAL 9.85in [250mm] 3-JAW CHUCK



CHUCK AND ADAPTOR BORE DIMENSIONS
 \varnothing 3.0in [76mm] X ∇ 3.54in [90mm]
MAY VARY PER VENDOR

INCLUDES MOUNTING HARDWARE
AND A SET OF REVERSIBLE HARD-JAWS

REMAINING ADAPTOR BORE
 \varnothing 1.77in [45mm] X ∇ 0.76in [19mm]

ISOMETRIC VIEW

