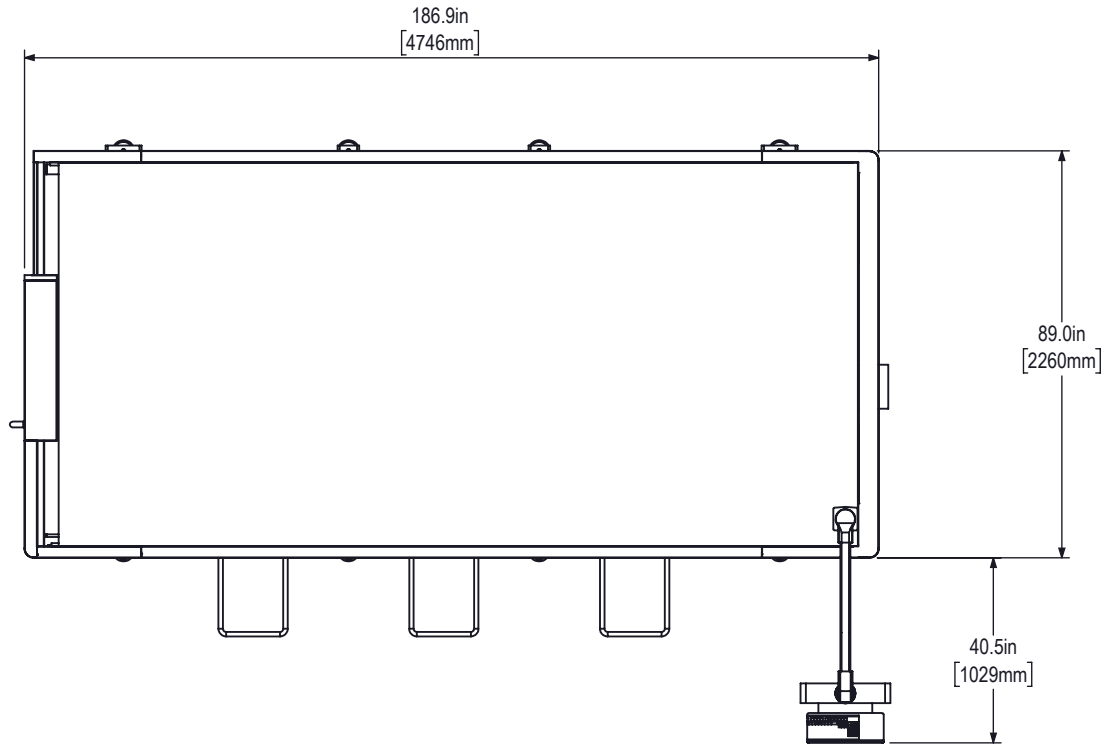
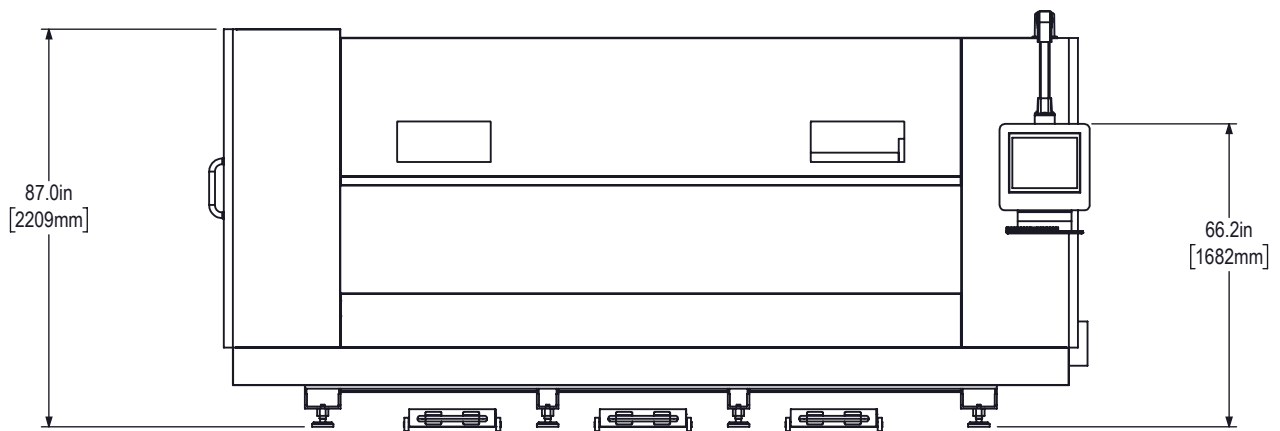




TOP VIEW - OPERATIONAL LENGTH AND WIDTH



FRONT VIEW - OPERATIONAL HEIGHT



MINIMUM 24in [610mm] RECCOMENDED SIDE TO SIDE SPACE BETWEEN SUPPORT EQUIPMENT BELOW

315.9in
[8023mm]

WALL

50in
[1270mm]
AVERAGE DISTANCE
TO WALL

MAIN POWER
XTRANS



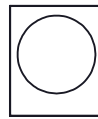
SERVO
XTRANS



VOLTAGE
REGULATOR



WATER
CHILLER



LASER POWER
SOURCE CABINET

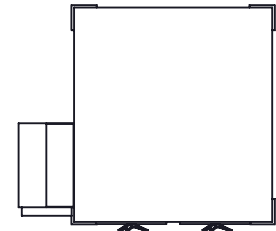
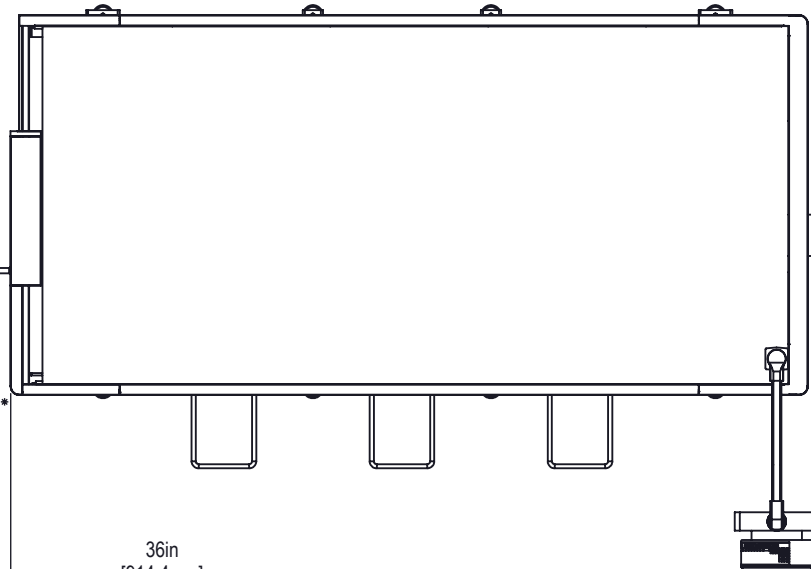


ELECTRICAL
CABINET



40in [1000mm] Minimum Aisle Clearance

192.7in
[4894.5mm]

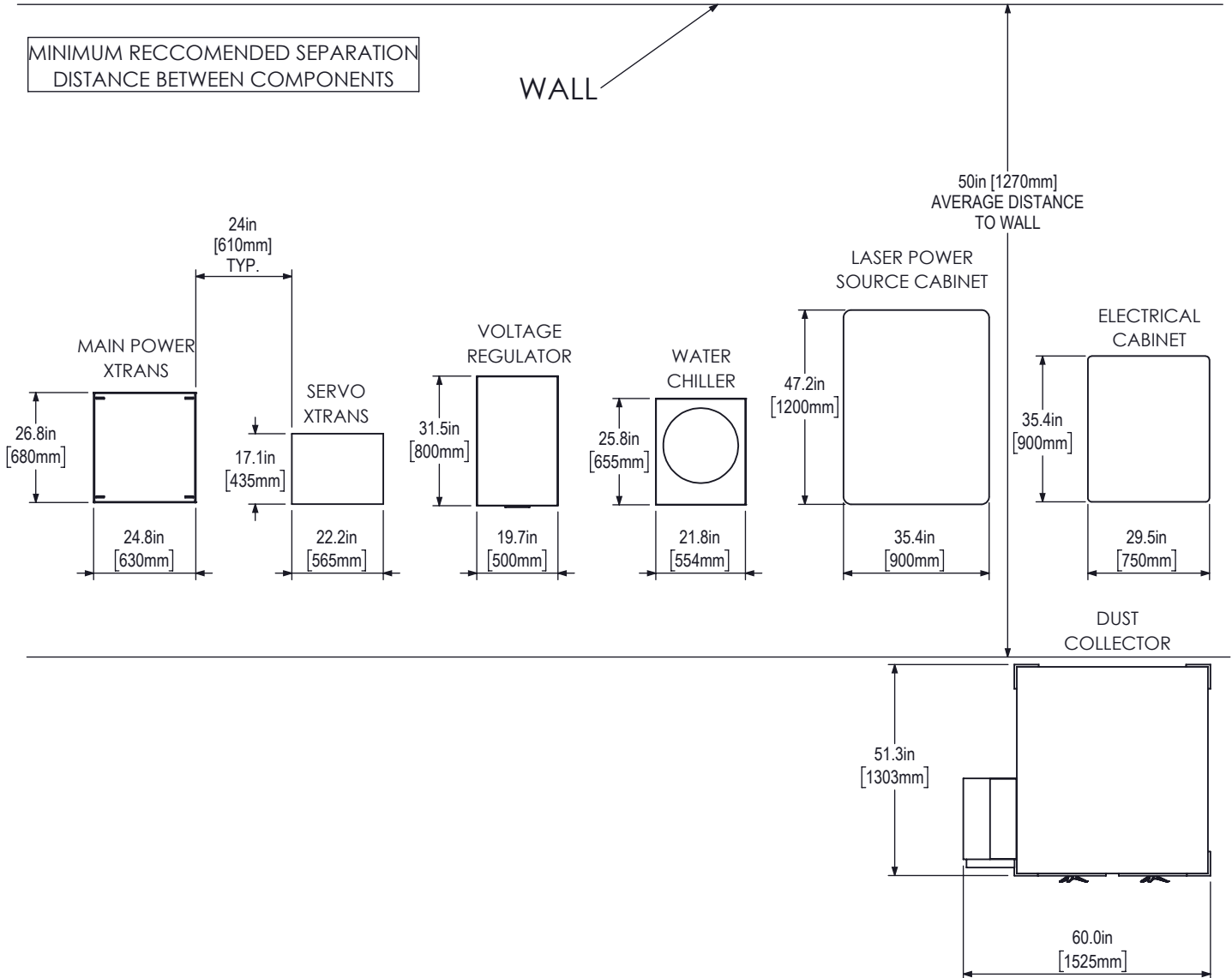


DUST
COLLECTOR

36in
[914.4mm]
RECOMMENDED

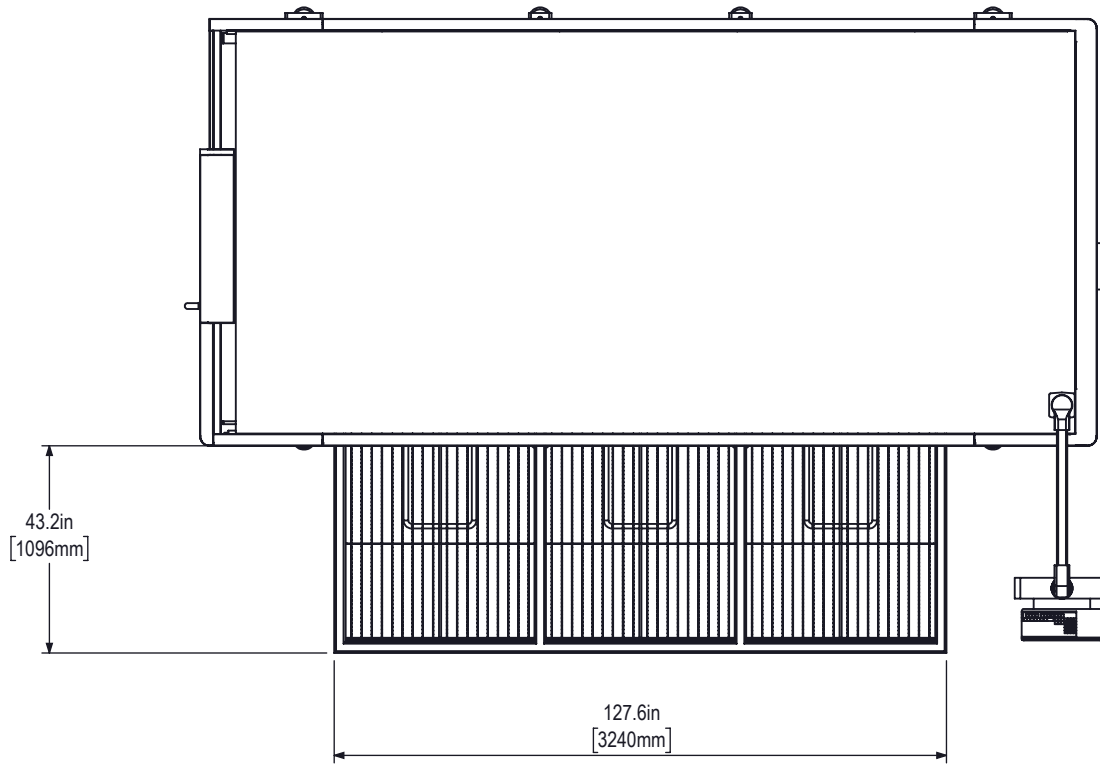
WALL

CAREFUL PLANNING SHOULD BE DONE TO ALLOW WALL DISTANCES FOR MATERIAL LOADING, MACHINE MAINTANANCE AND SUPPORT EQUIPMENT

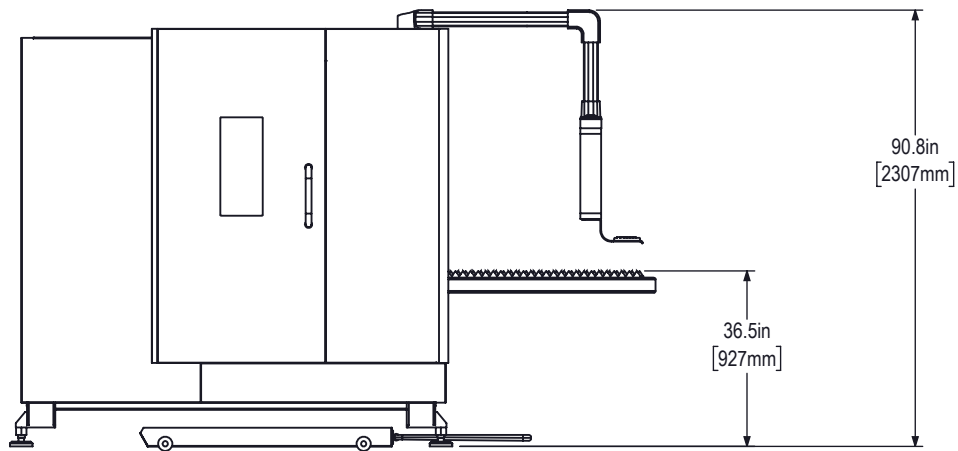


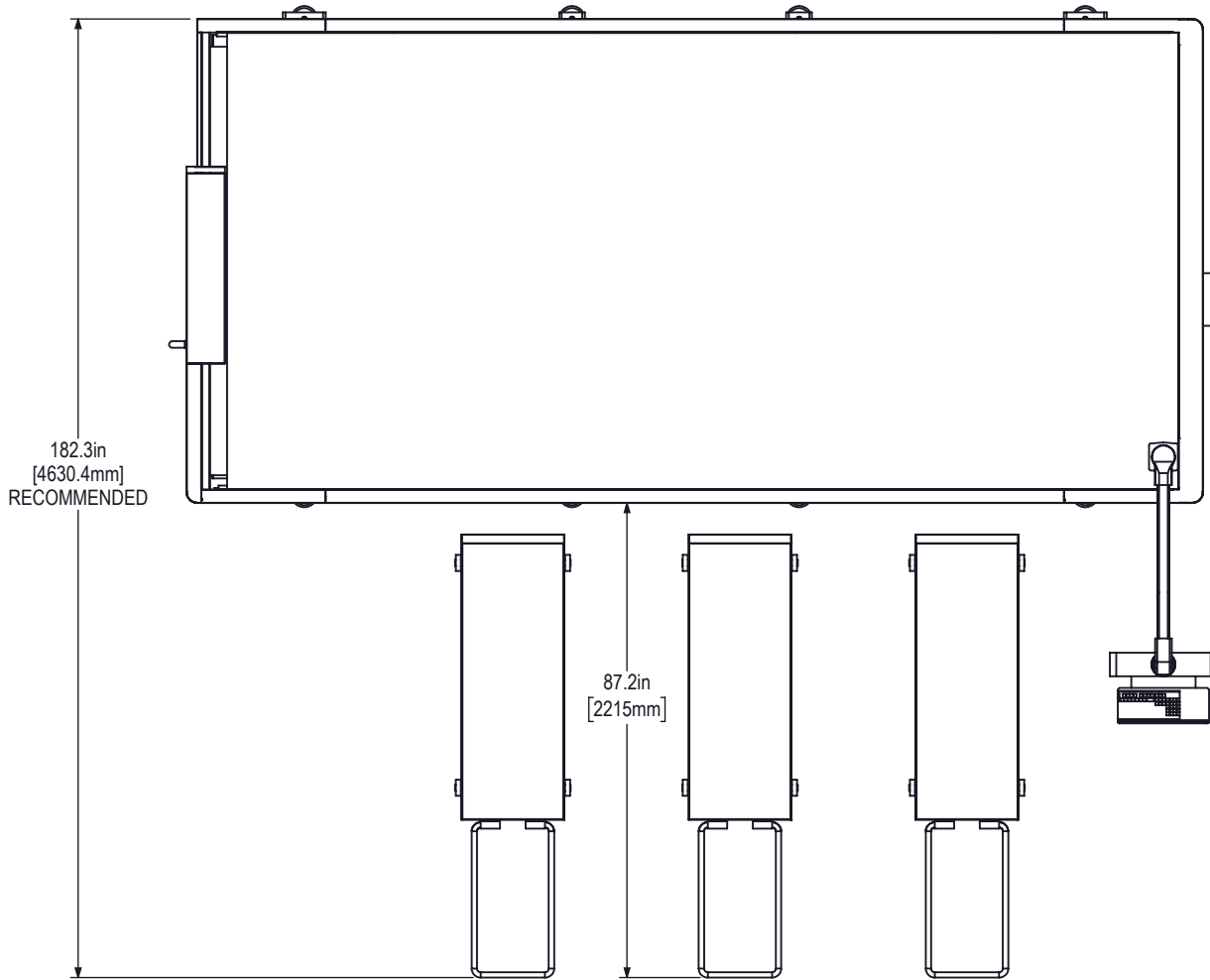
- SEE OPERATIONS SECTION OF MANUAL FOR CUTTING GAS PSI REQUIREMENTS

TOP VIEW



SIDE VIEW





-PLEASE ALLOW FOR ADEQUATE CLEARANCE TO FULLY WITHDRAW DROP PANS