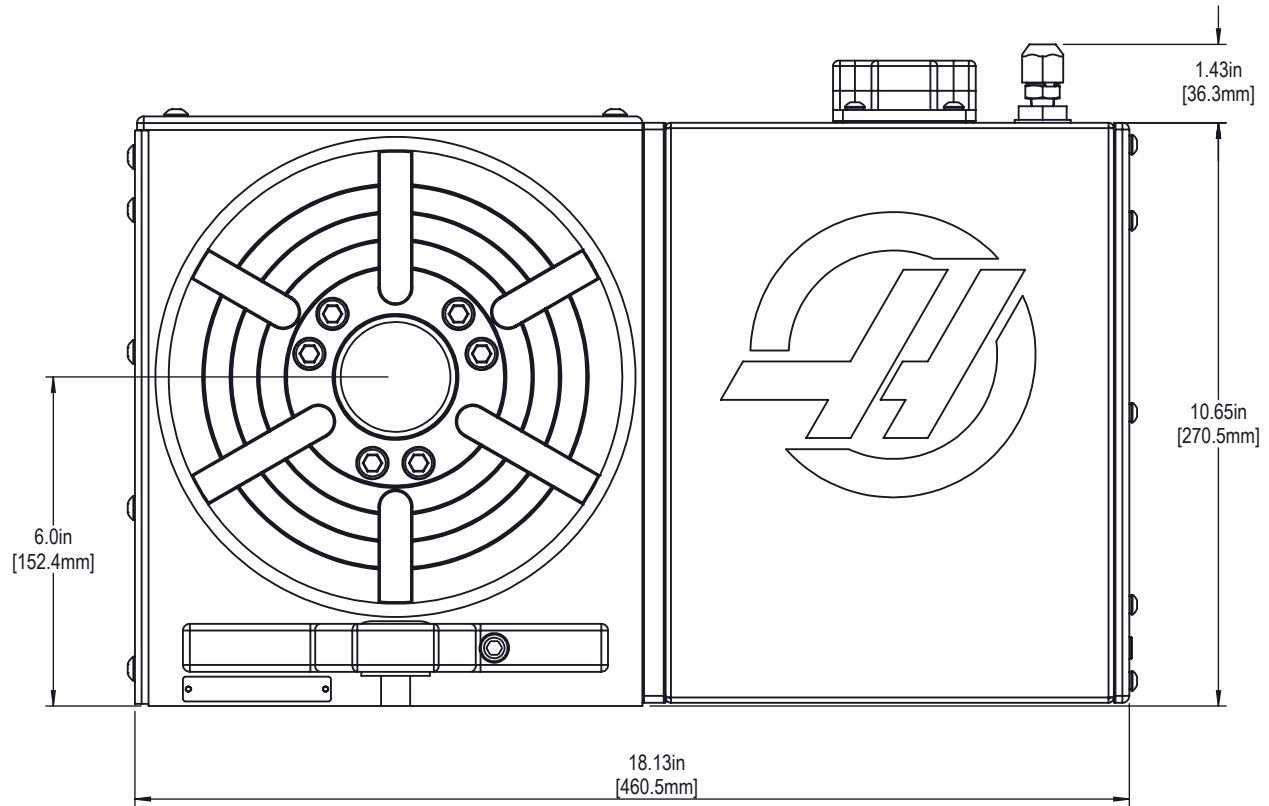
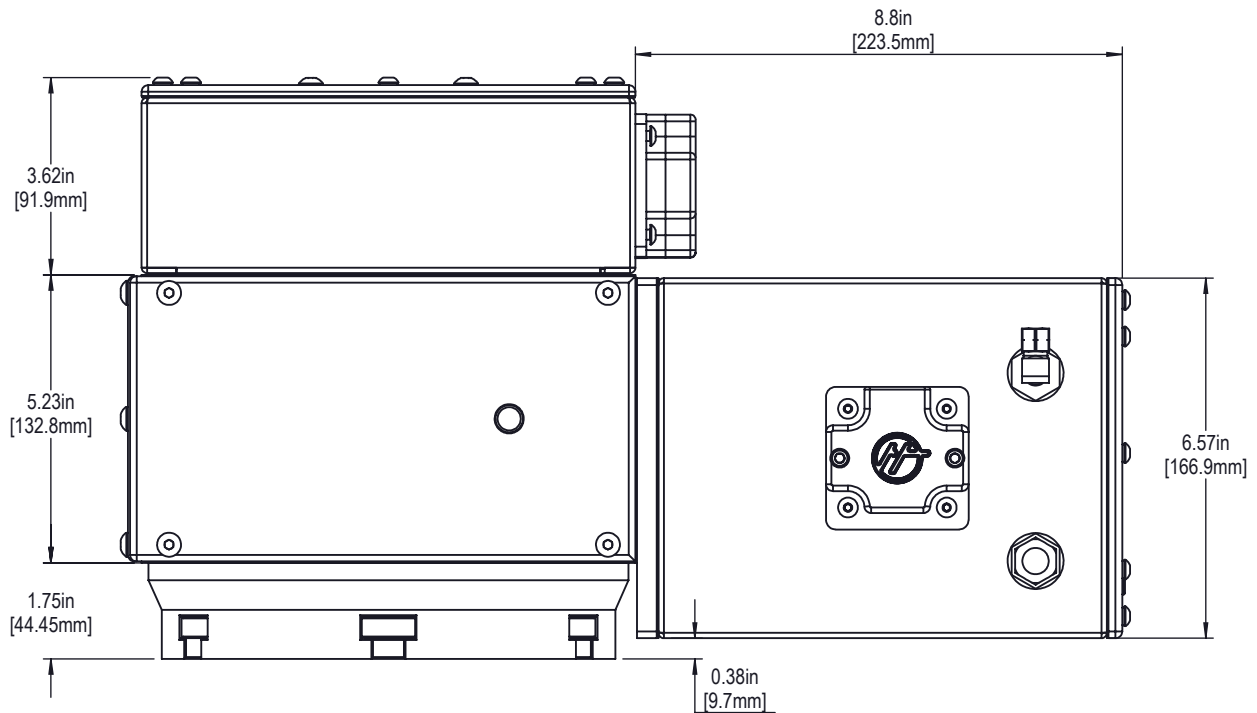




FRONT VIEW

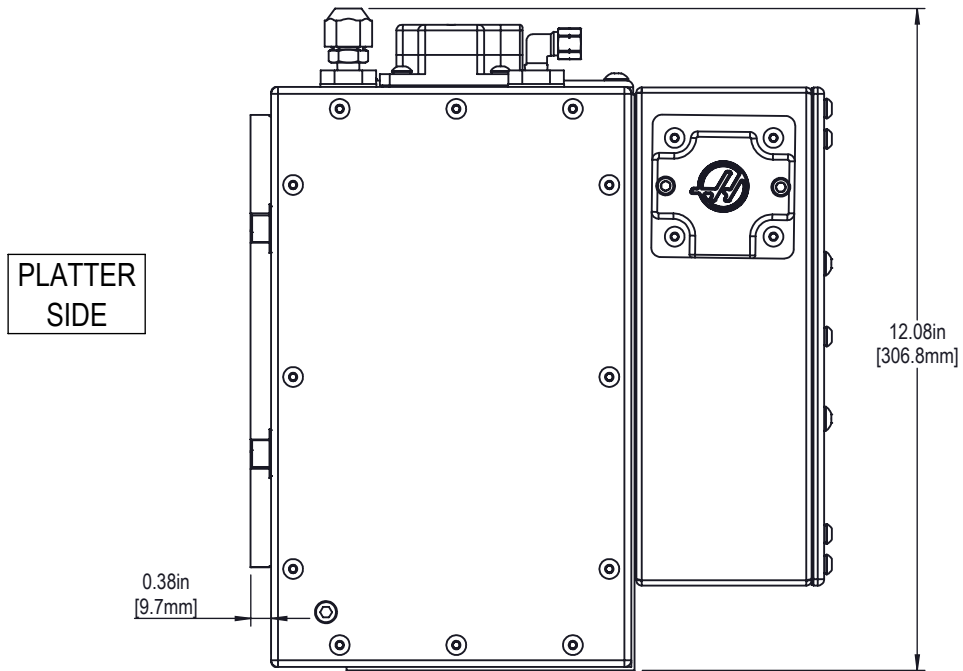


TOP VIEW

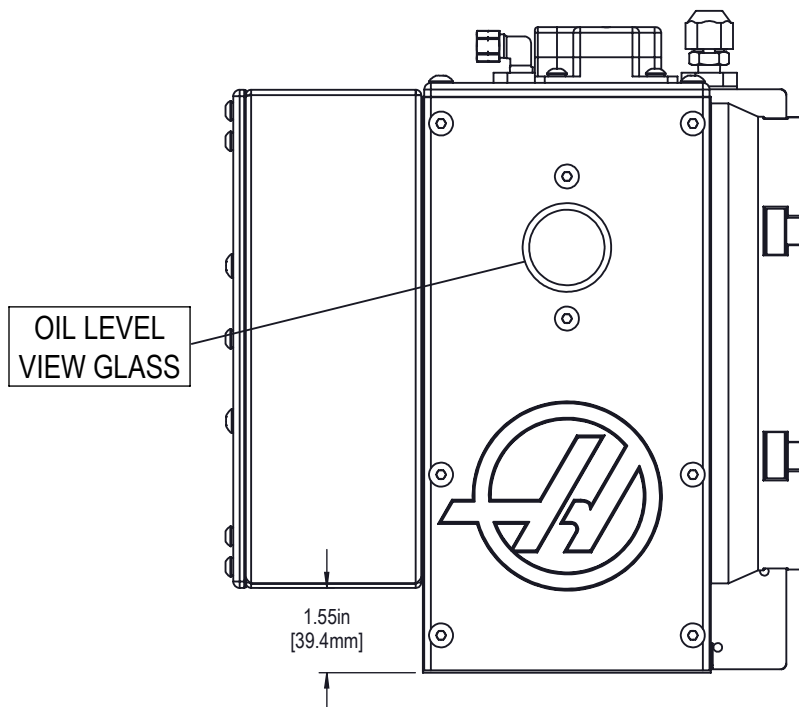




RIGHT SIDE VIEW

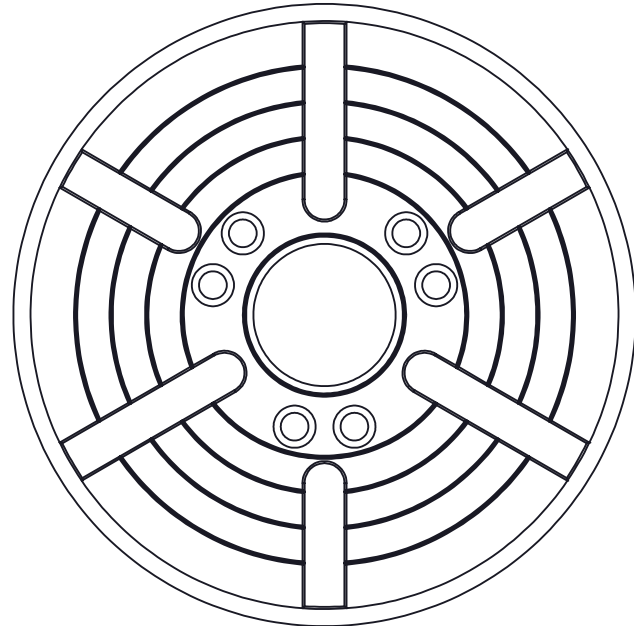
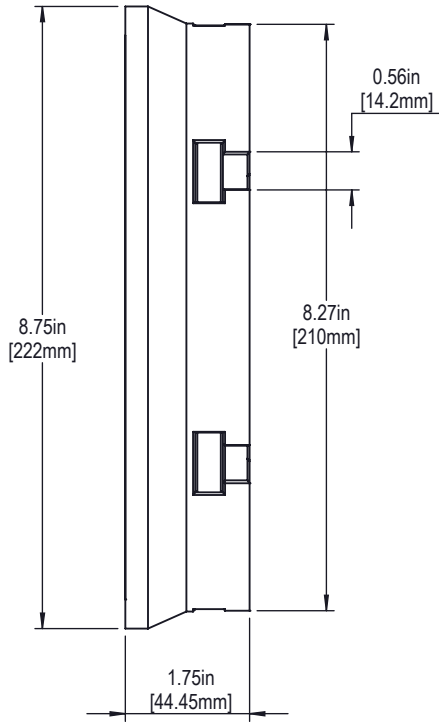


LEFT SIDE VIEW



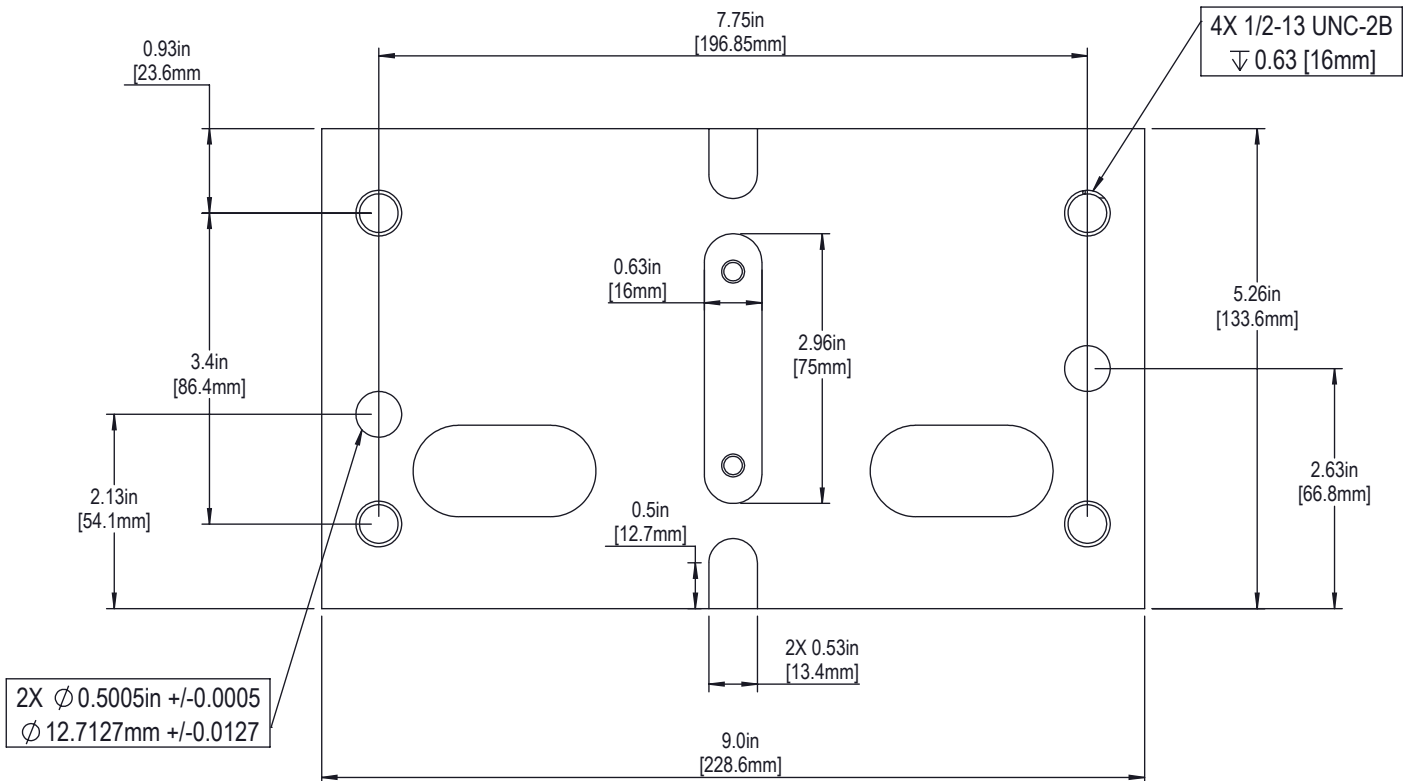


6X T-SLOTS AT 60°  
ACCOMODATES 14mm OR 1/2in T-NUTS

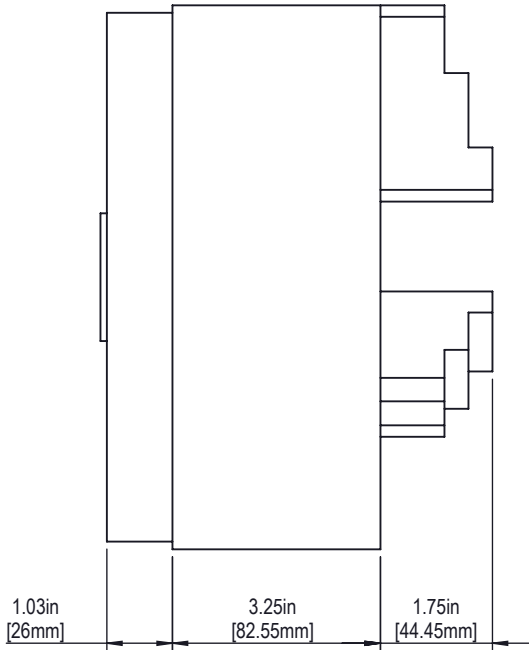


THRU BORE IS 2.0in [50.8mm]

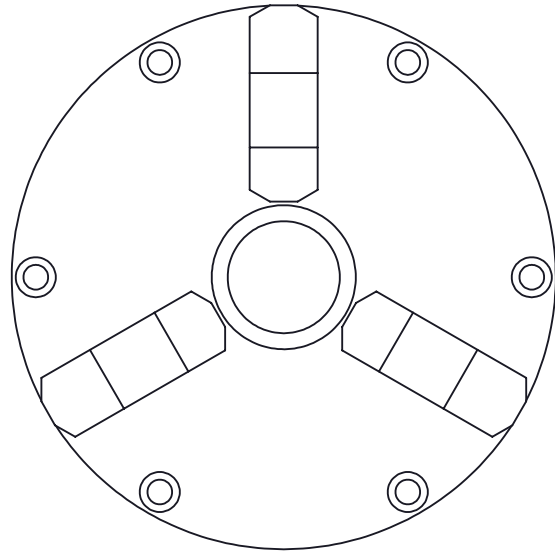
BOTTOM VIEW - MAIN BODY



OPTIONAL 8in [203mm] 3-JAW CHUCK



INCLUDES MOUNTING HARDWARE  
AND A SET OF REVERSIBLE HARD-JAWS

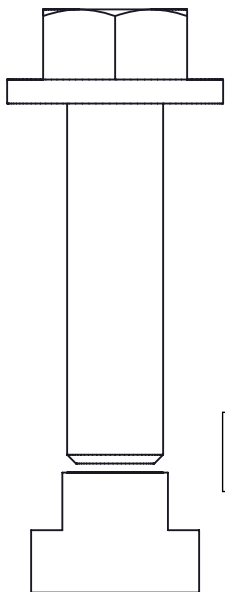


CHUCK ADAPTOR  
THRU BORE IS  $\varnothing$  1.75in [44.4mm]

CHUCK BORE DIAMETER  
IS 2.25in [57mm] - MAY VARY PER VENDOR

OPTIONAL TOE CLAMP KIT

INCLUDES 4 EACH  
BOLT AND T-NUT ASSEMBLY  
4 TOE CLAMPS



14 MM T-NUTS  
1/2-13 BOLTS

