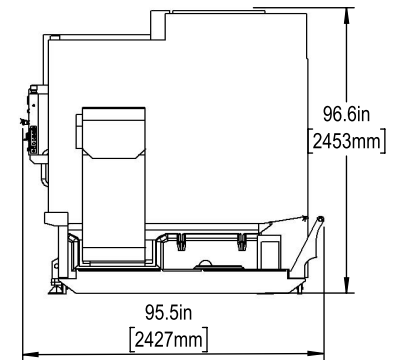
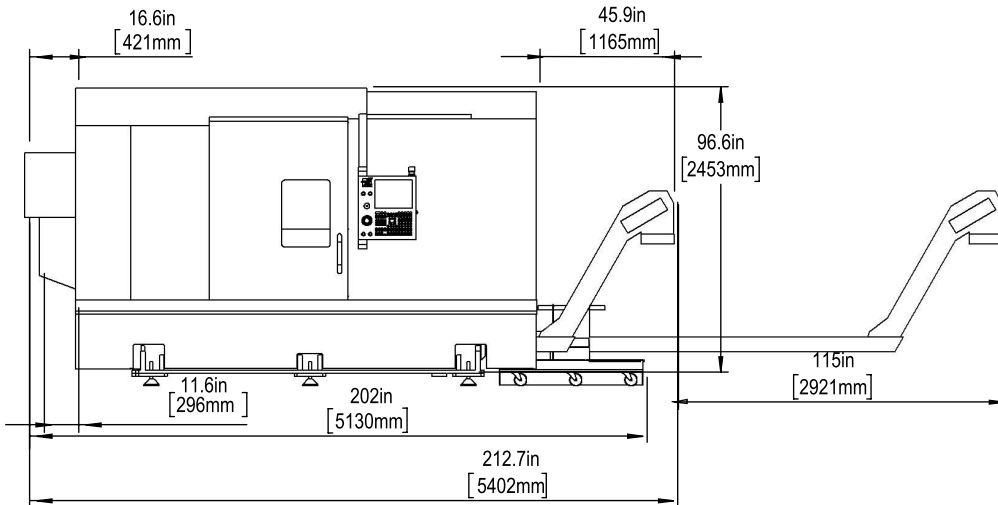
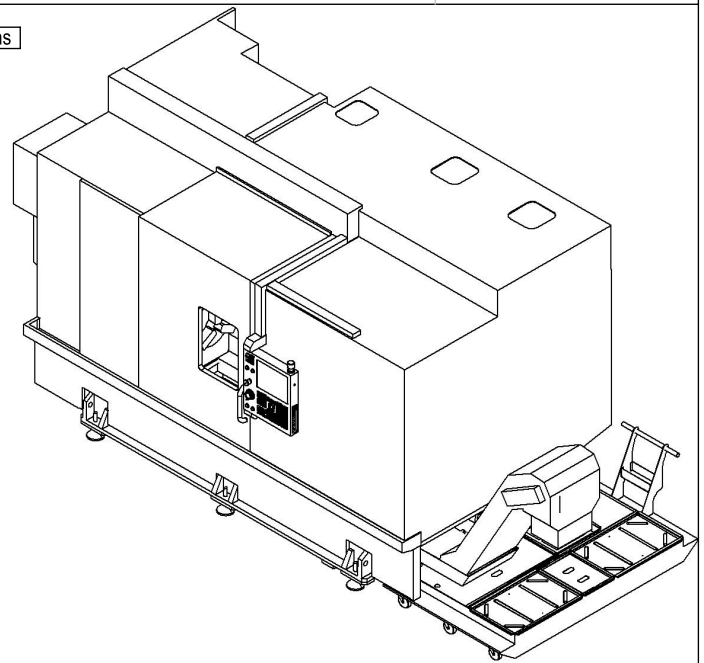
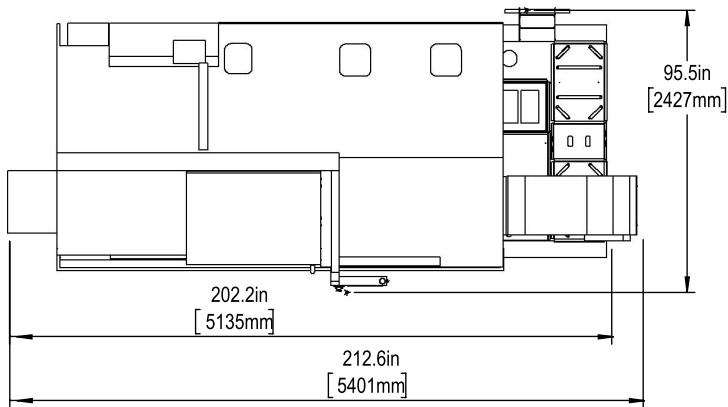


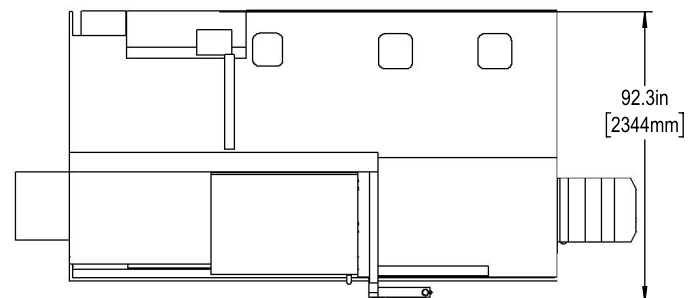
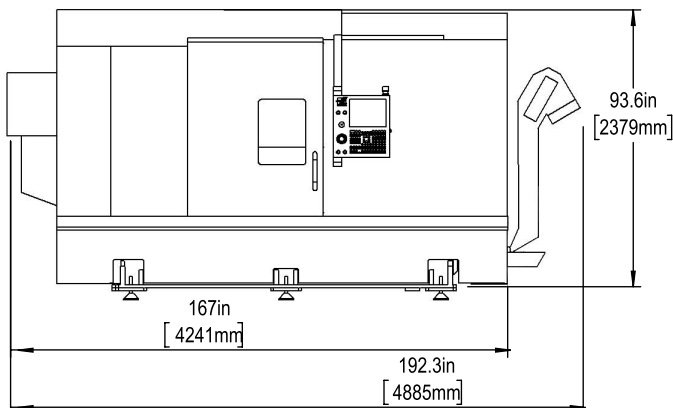


Installed Dimensions

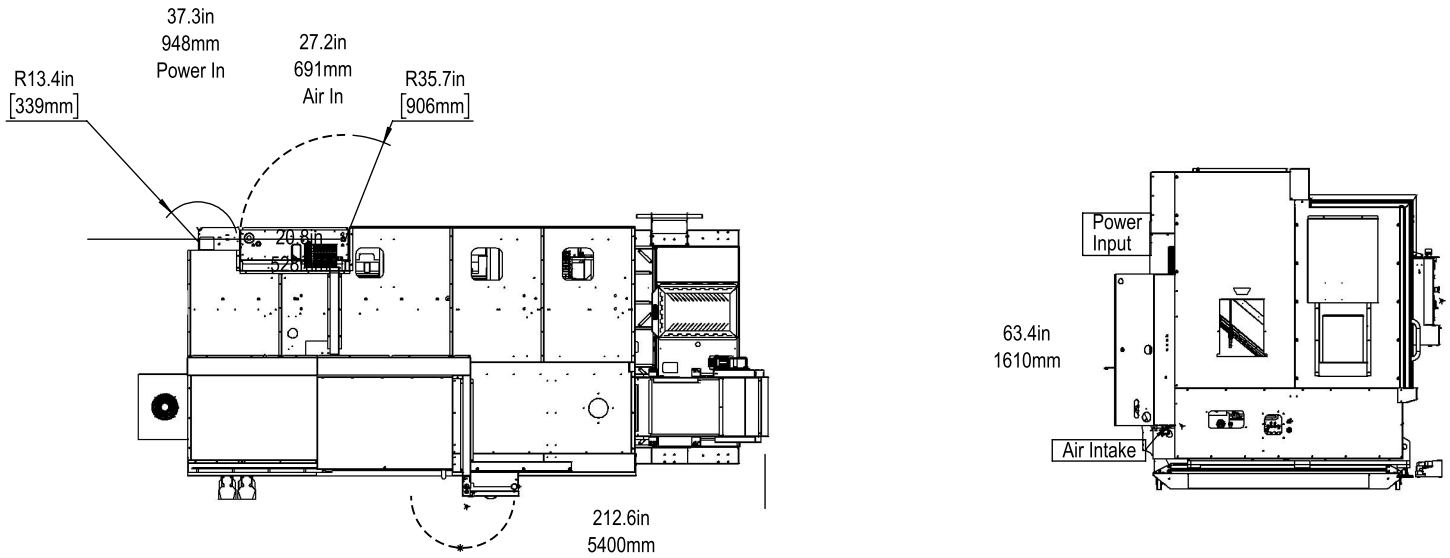


Shipping Dimensions

*All Height Dimensions Based on Suggested Leveling Pad Height



Air & Power



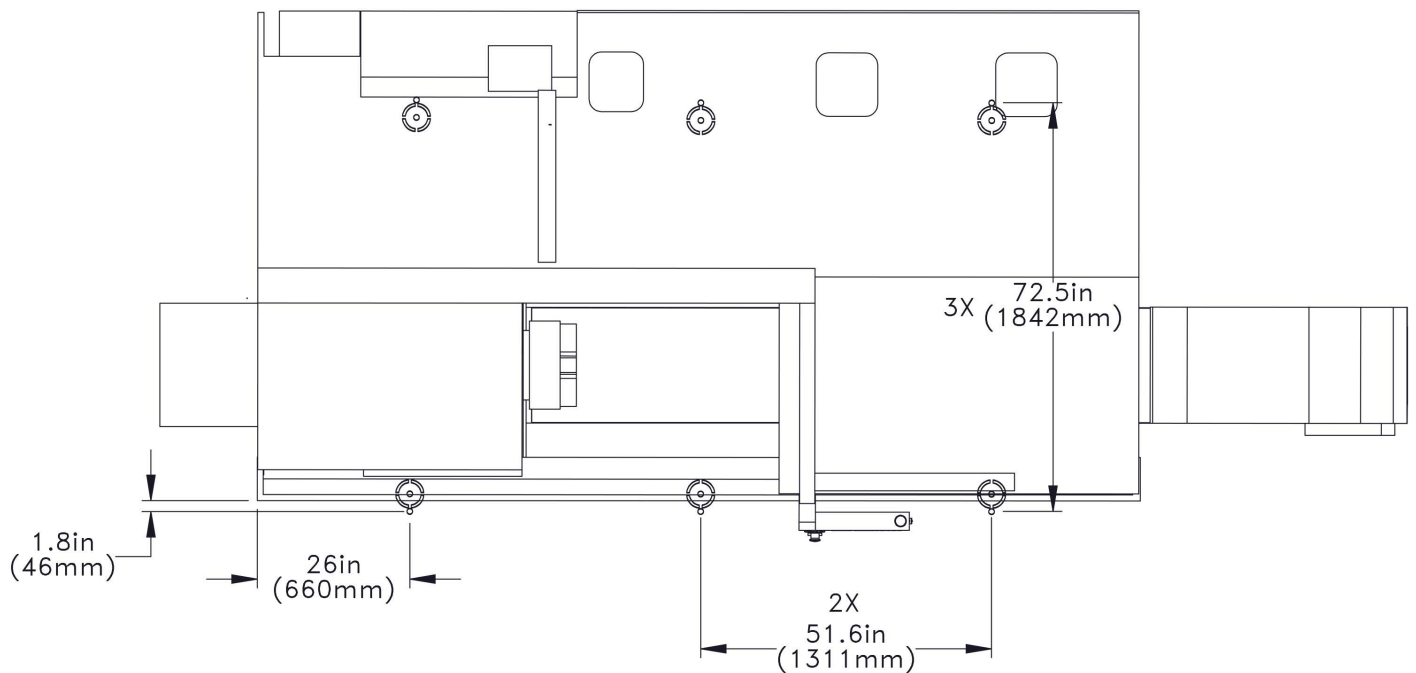
Maintain 3 feet [915mm] clearance to the nearest obstruction around all sides of machine perimeter for maintenance access

Note:

Machine must be placed on one continuous concrete slab. Slab should extend 12in [305mm] beyond anchor holes in all directions

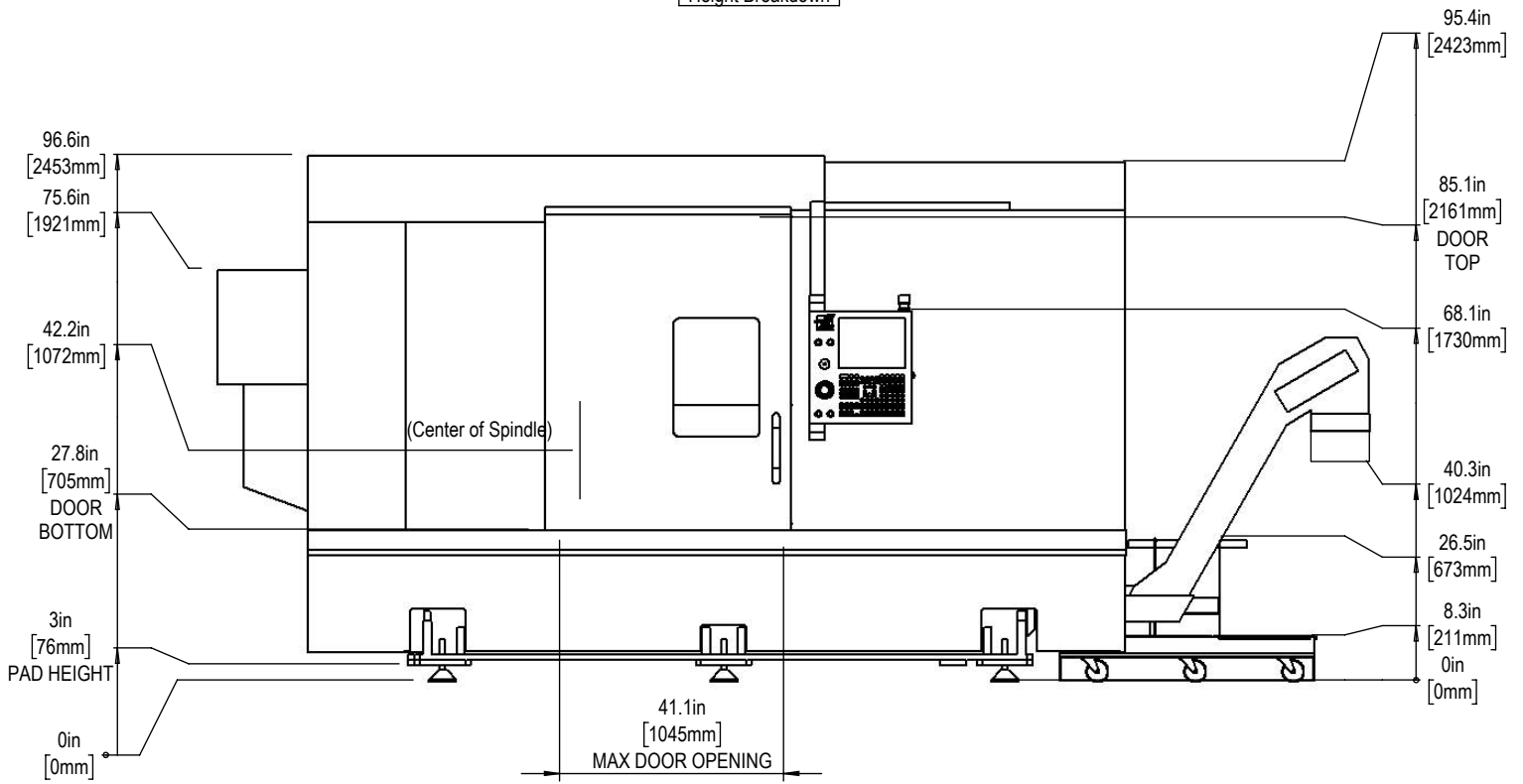
Anchor Pattern

Anchor Hole Detail
 Ø 0.625in[25mm]
 ▽ 2.0in[50mm]-
 ▽ 2.25in[57mm]

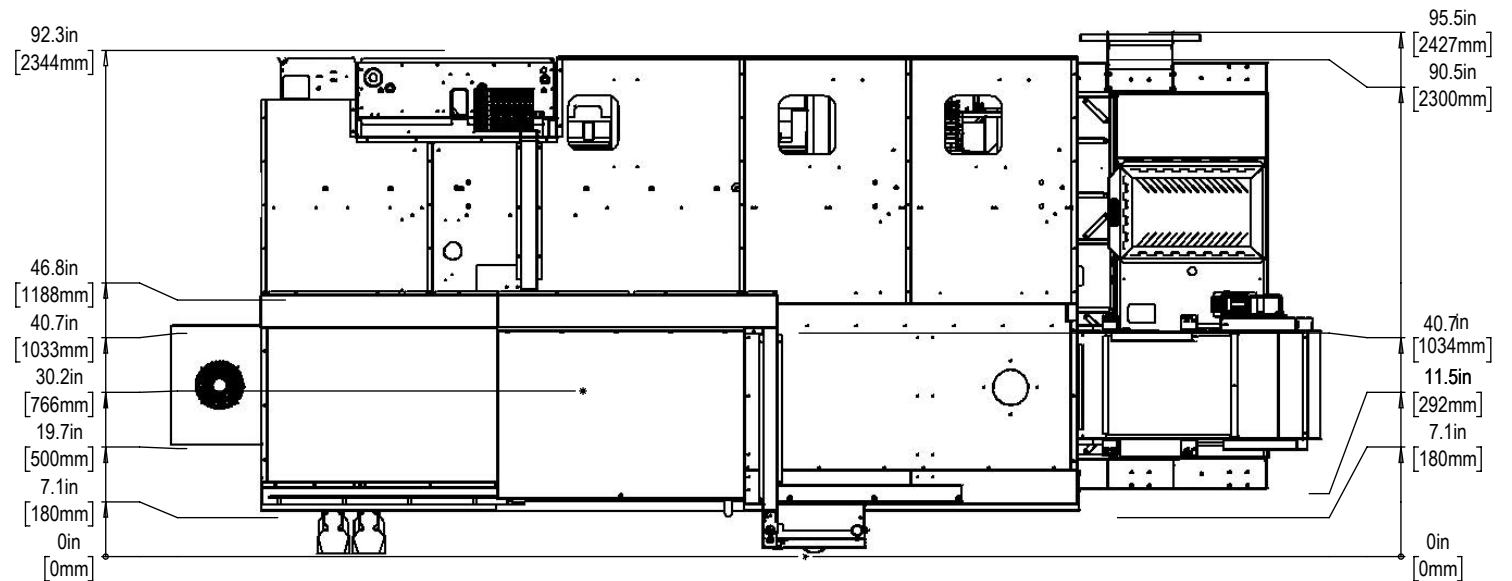


For precise locations and specifications please use template in Anchoring Kit found at Haascnc.com

Height Breakdown

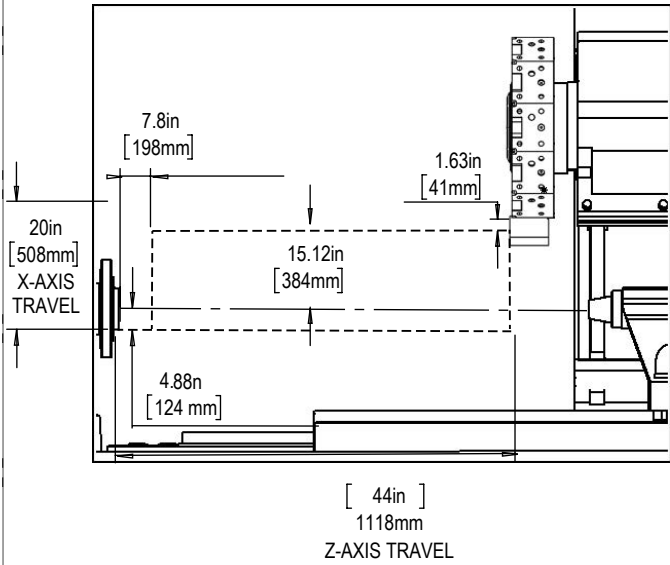


Depth Breakdown

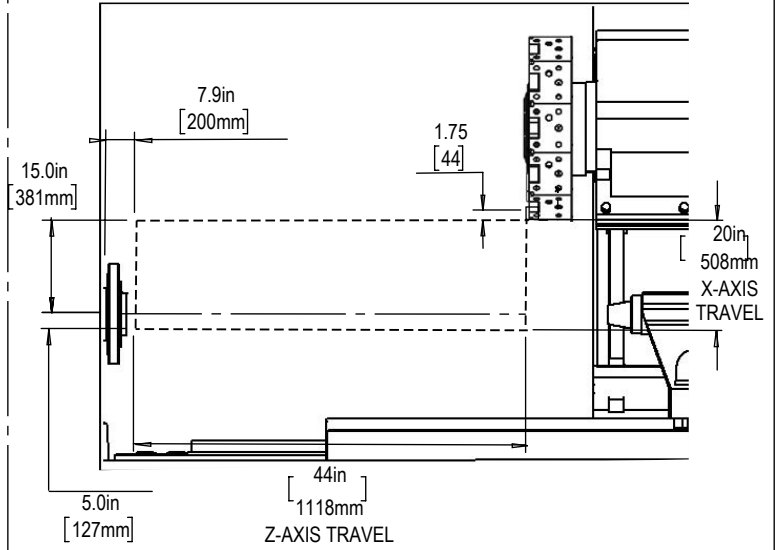


Axis Travel Diagrams

Turning Tool - ID

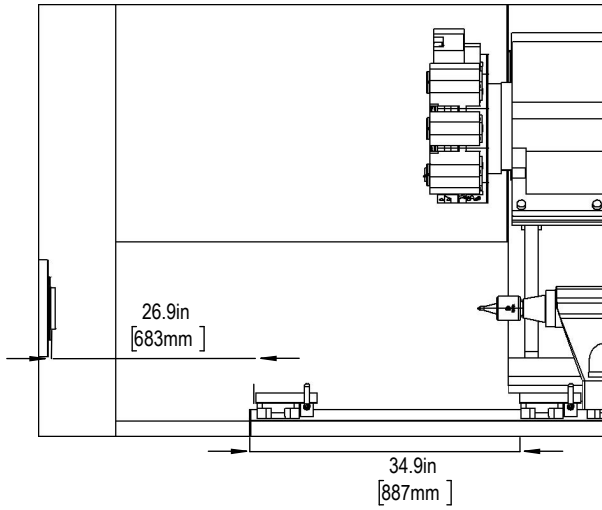


Turning Tool - OD

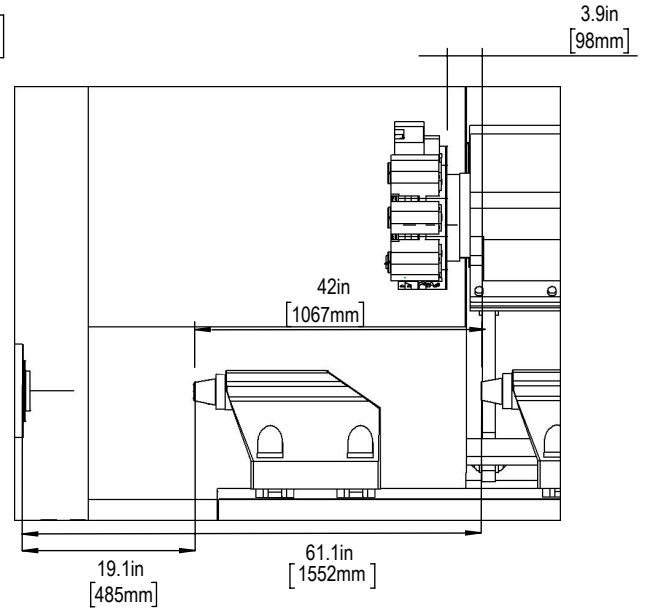


Axis Travel Diagrams

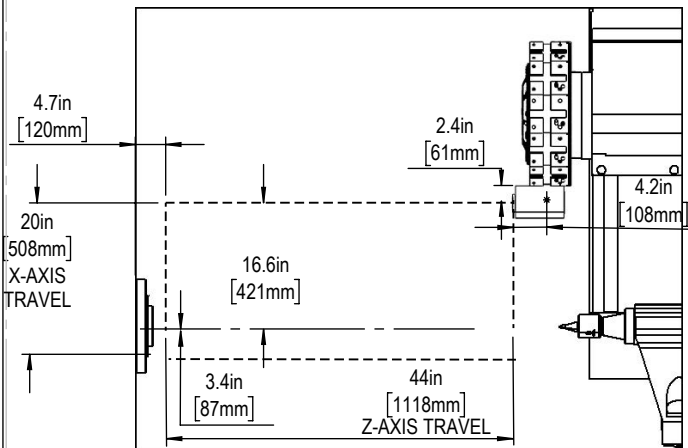
Steady Rest Travels



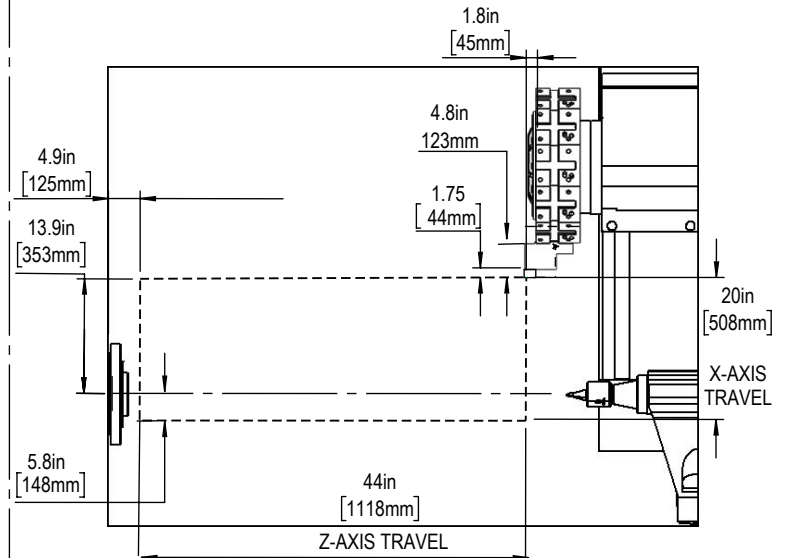
Tailstock Travels



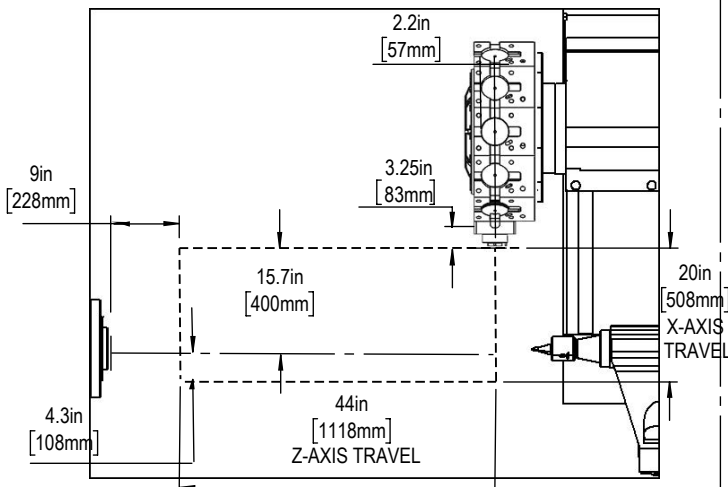
Turning Tool - ID



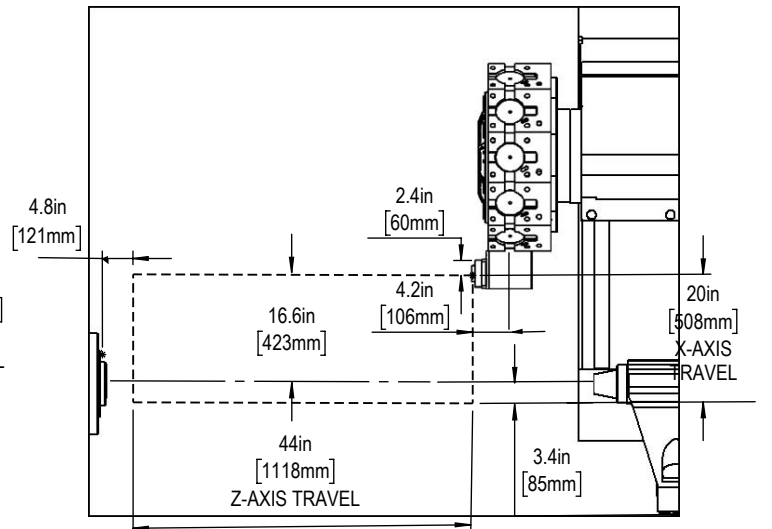
Turning Tool - OD



Optional Live Tooling - BMT75-STRAIGHT

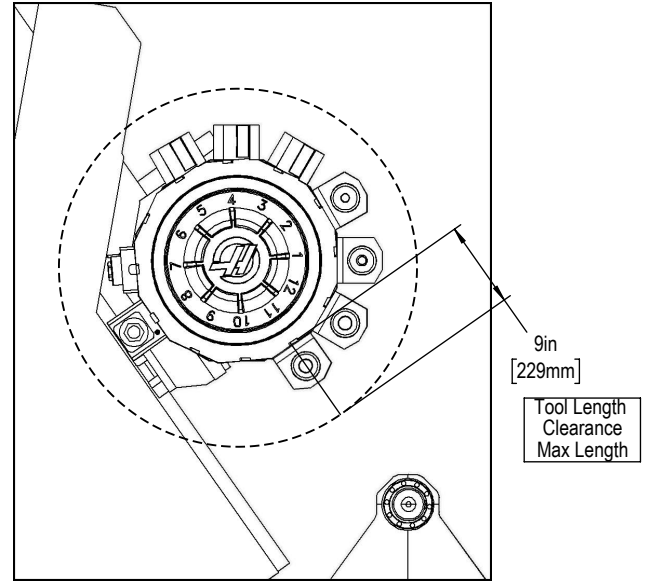
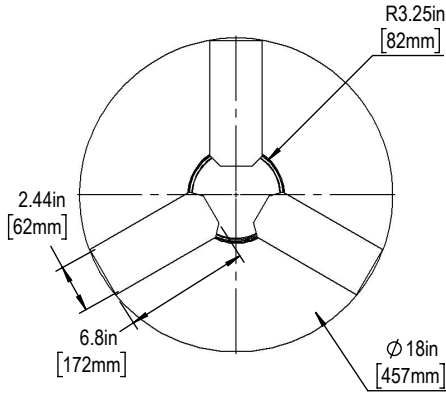
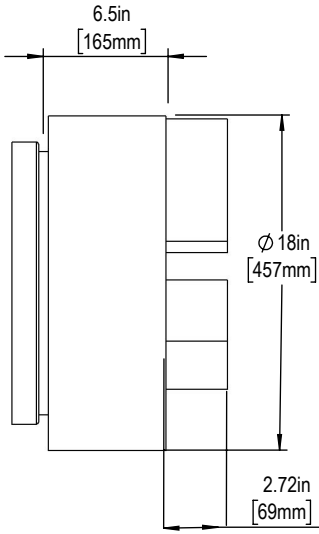


Optional Live Tooling - BMT75-90-DEGREE



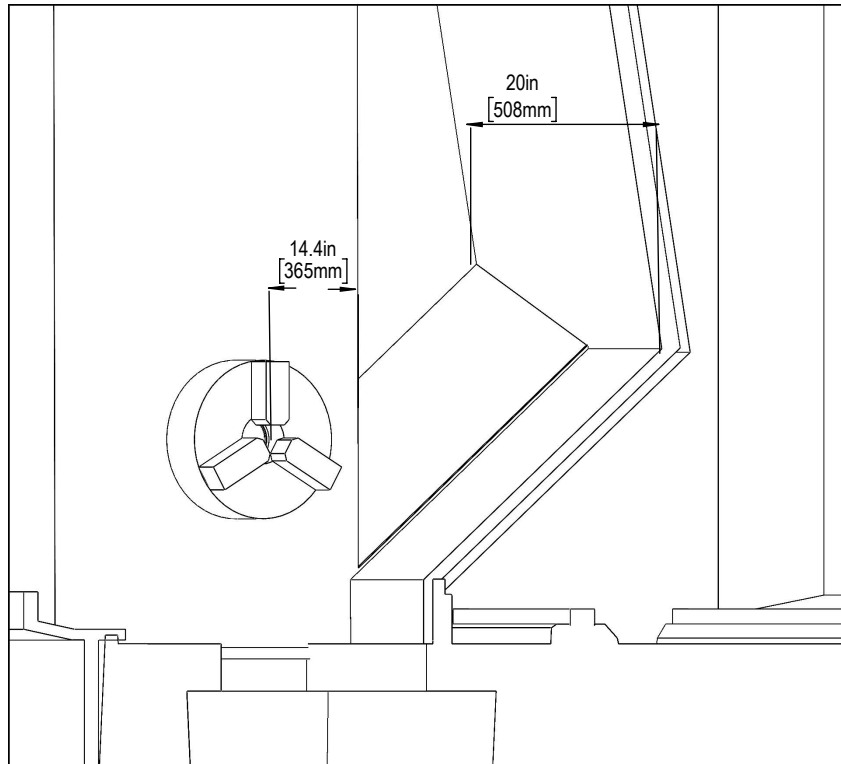
Tool Interference Layout

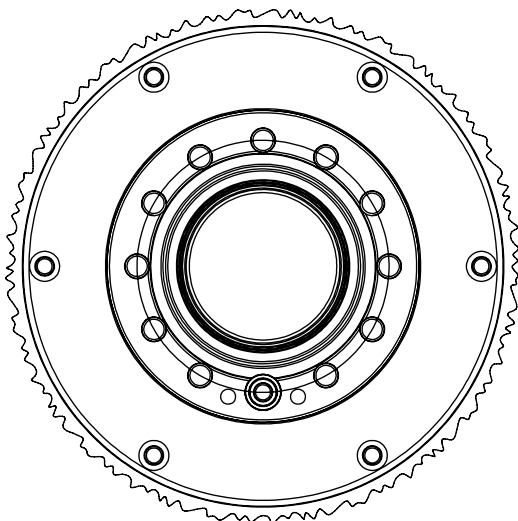
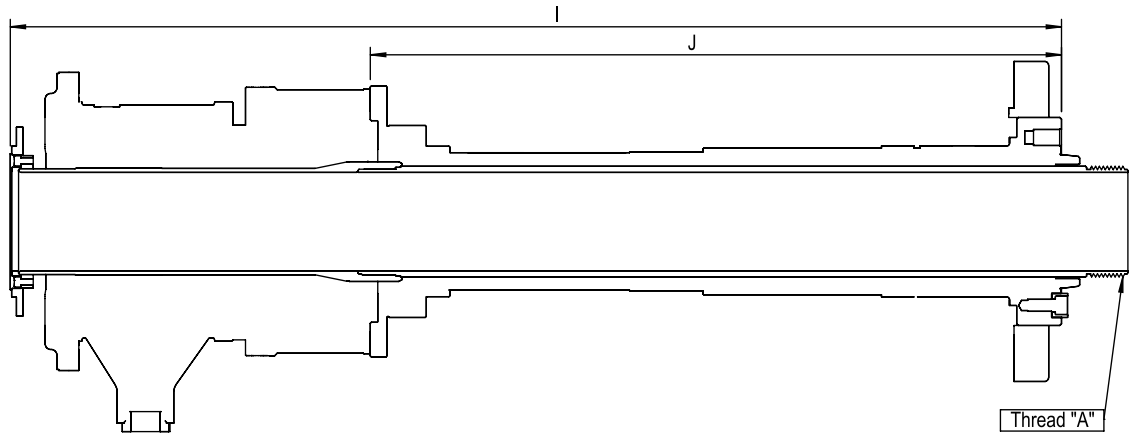
Optional Chuck



Dimensions may vary per manufacturer

Standard Extended Tool Pocket

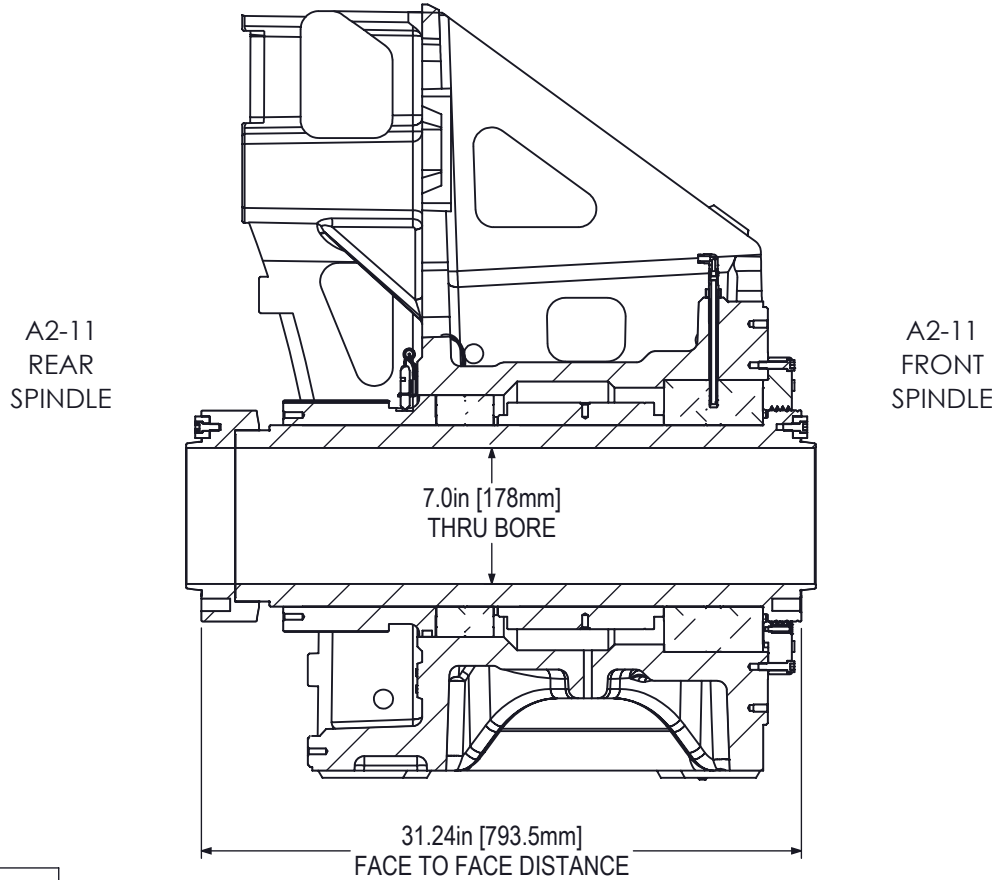




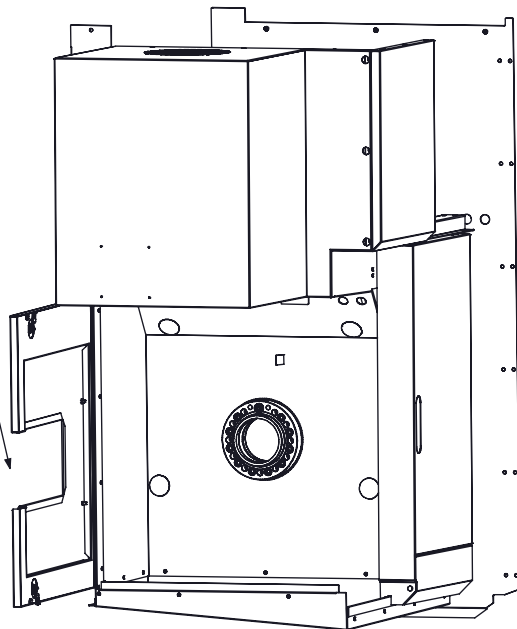
Description	DIMENSION PARAMETER	ST-45	
		SAE (in)	METRIC (mm)
SPINDLE TYPE		A2-11	
THREAD TYPE	A	M175 X 3.0	
INTERNAL OR EXTERNAL		EXTERNAL	
LENGTH OF THREAD	B	3.03	76.96
DRAWTUBE INTERNAL ϕ	C	6.51	165.35
DRAWTUBE EXTERNAL ϕ	D	7.02	178.31
COUNTERBORE INTERNAL ϕ	E	N/A	N/A
COUNTERBORE DEPTH	F	N/A	N/A
DRAWTUBE EXTENDED	G	3.02	76.71
DRAWTUBE RETRACTED	H	1.84	46.74
SPINDLE FACE TO BACK OF UNION	I	48.3	1226.82
SPINDLE FACE TO UNION ADAPTOR	J	32.7	830.58

*Due to vendor variations discretion should be taken to verify validity of provided dimensions

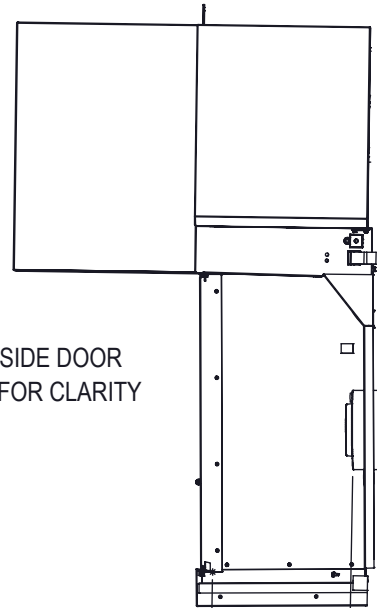
SPINDLE NOSE DETAILS PER AMERICAN STANDARD BULLETIN ASA B5.9 (ANSI)



7.52in [191mm] DOOR OPENING FOR LONG PARTS TO GO THRU



MAXIMUM CHUCK AND PART CLEARANCE DIAMETER INSIDE OF THE ENCLOSURE
24in [610mm]



REAR AND SIDE DOOR REMOVED FOR CLARITY

14.5in [368mm] MAXIMUM PART LENGTH INSIDE OF THE ENCLOSURE WITH DOORS CLOSED

*DUE TO VENDOR VARIATIONS AND TOLERANCE BUILD-UP, HAAS STRONGLY RECCOMENDS MEASURING DIRECTLY ON THE MACHINE