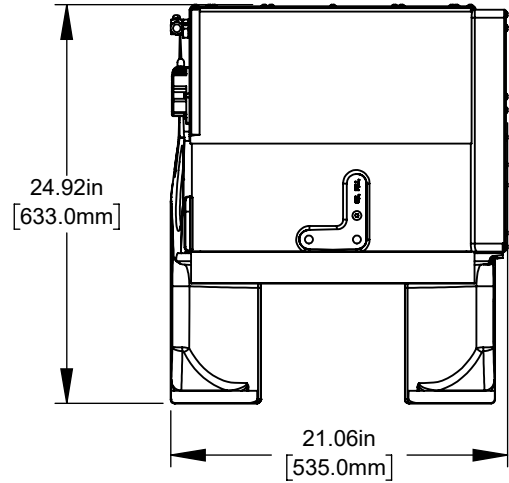
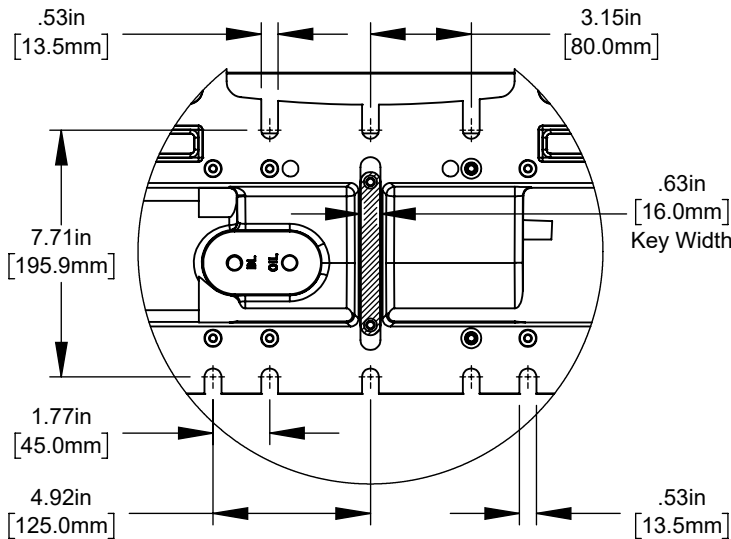
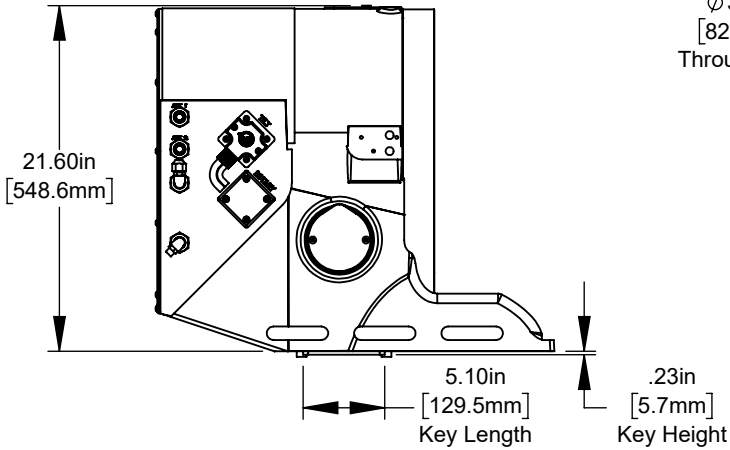
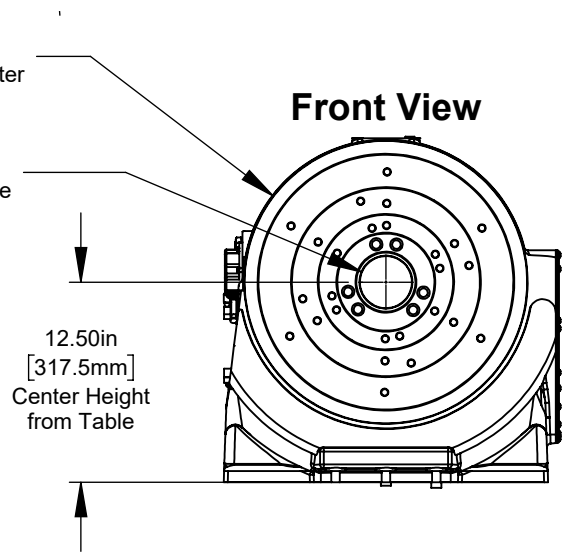


Top View

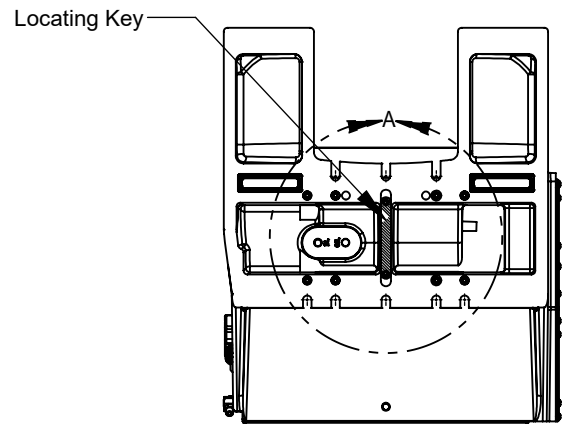


Front View



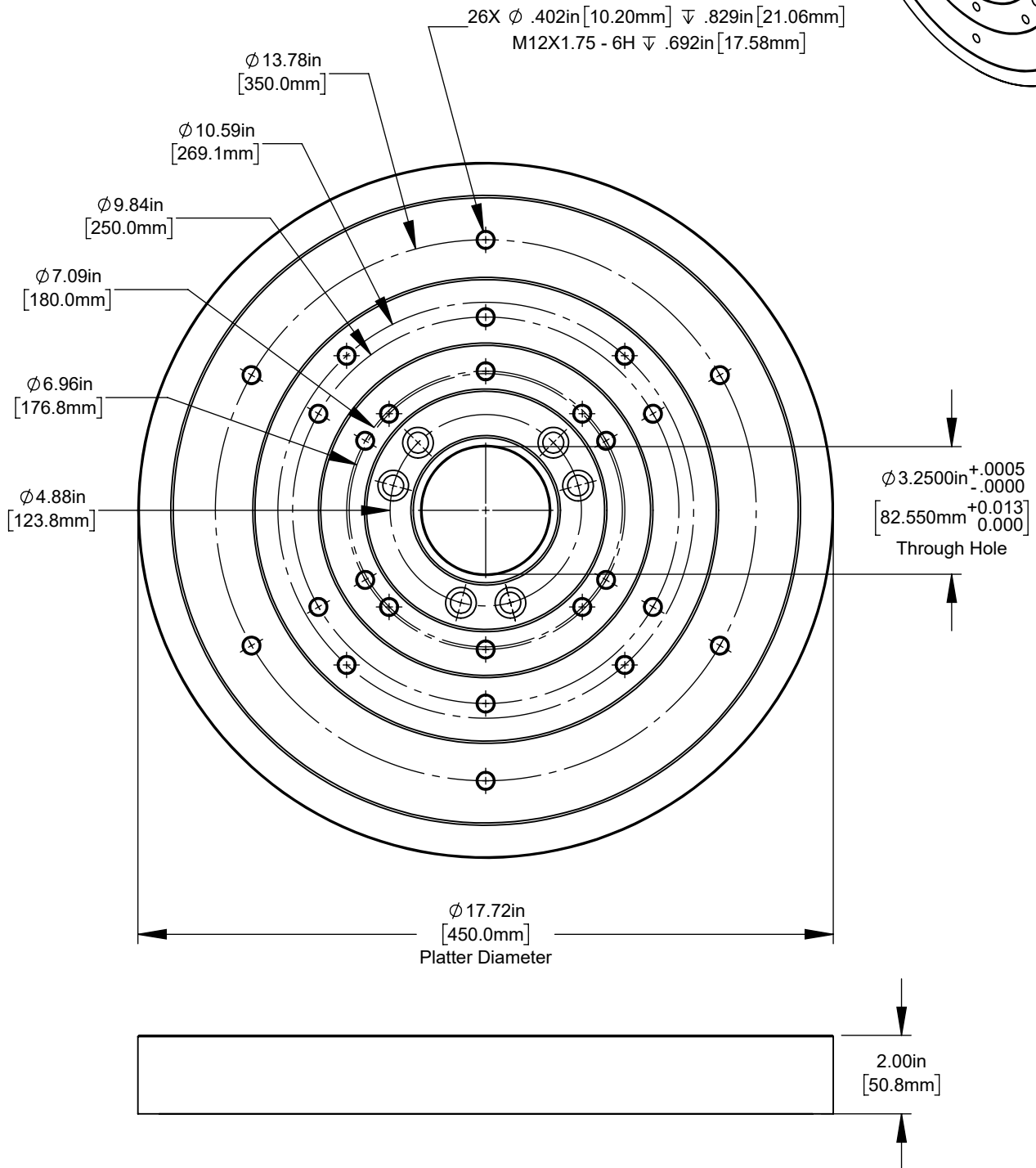
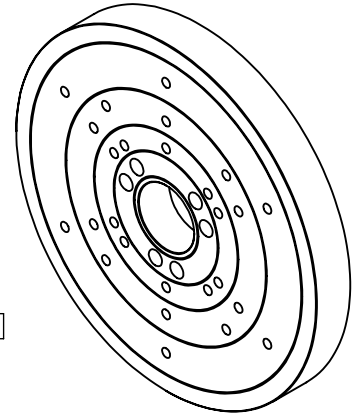
DETAIL A

Bottom View

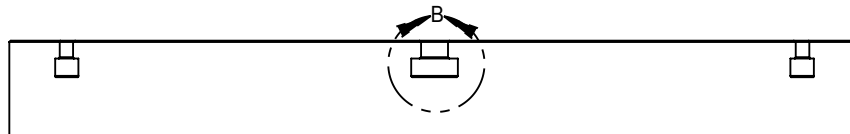
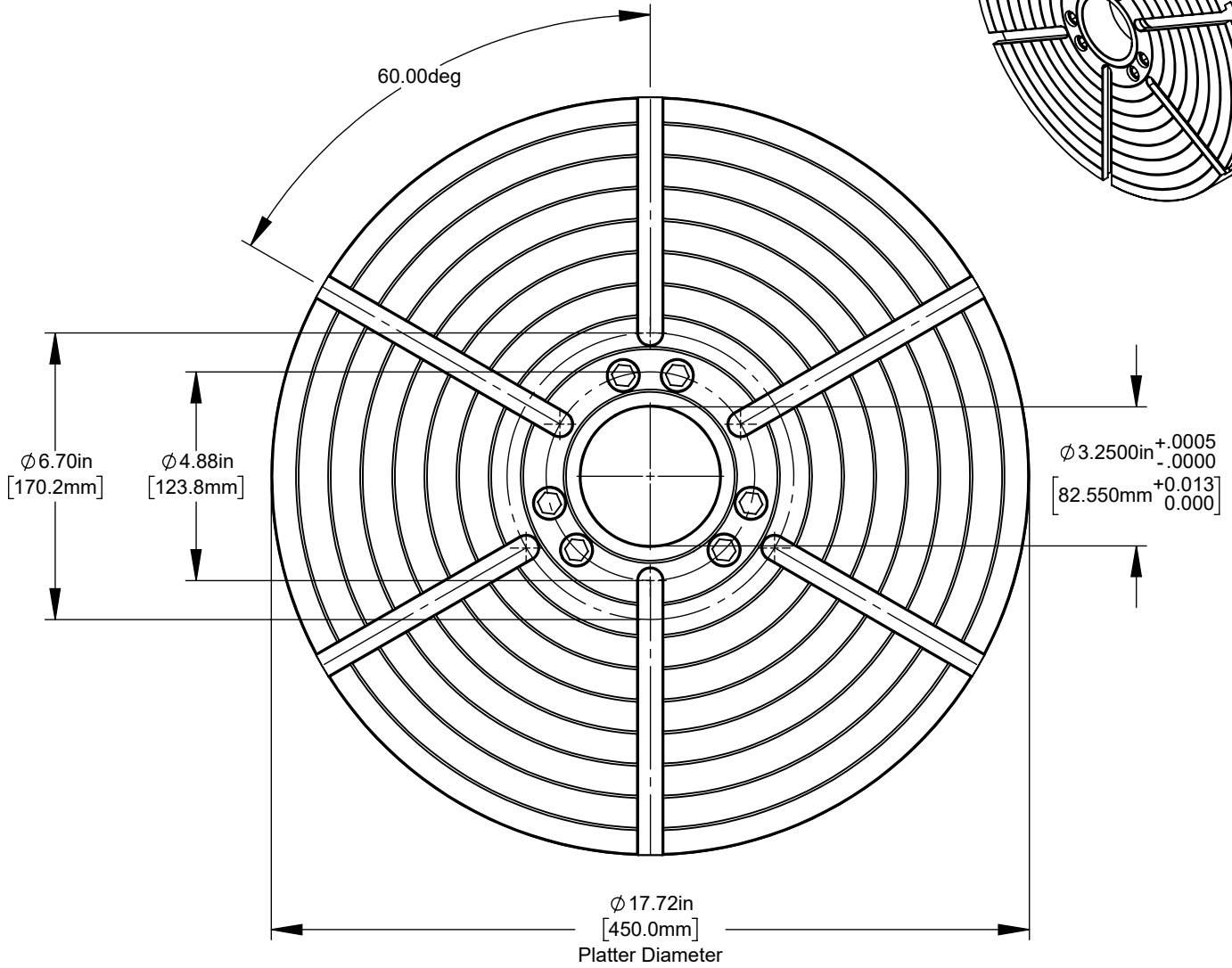
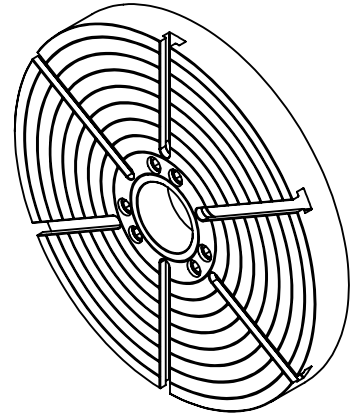


All Dimensions are based on stackup of sheet metal, subject to variation of 1/2" (13 mm)

Standard Platter



T-Slot Platter



DETAIL B

