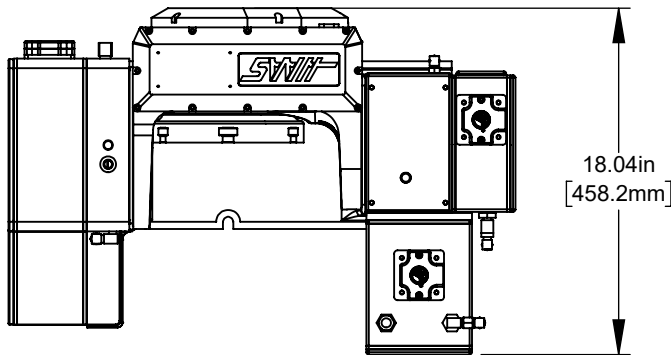
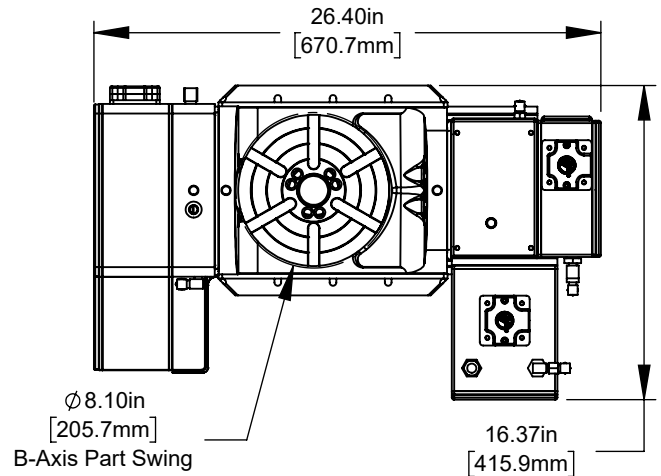


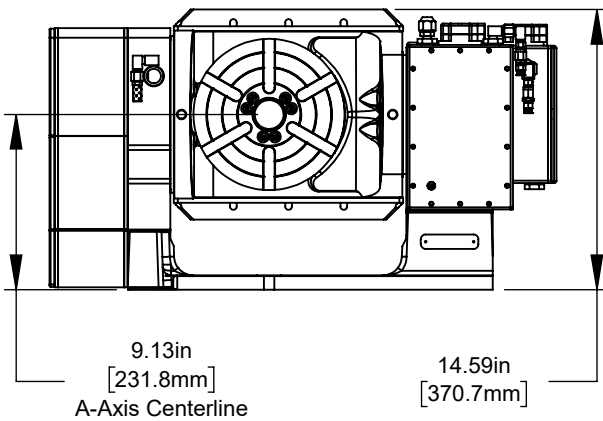
Top View  
Platter Rotated 90° to Base



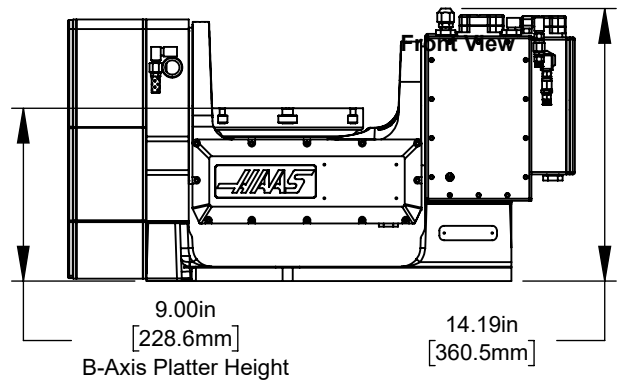
Top View



Front View  
Platter Rotated 90° to Base

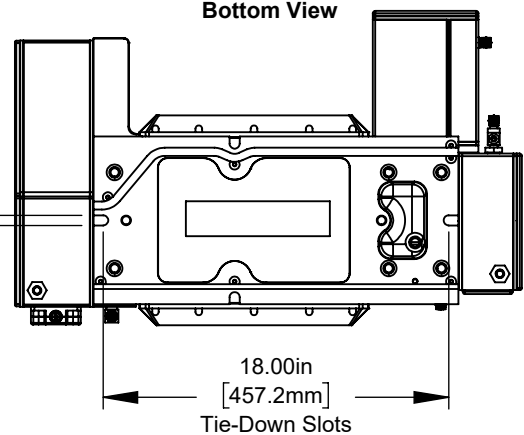


Front View



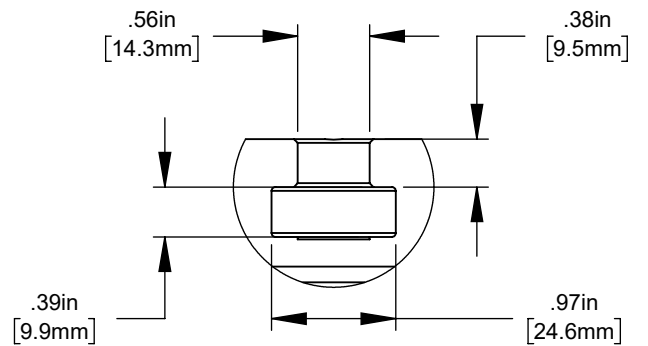
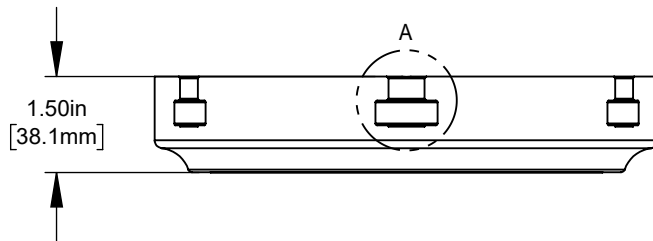
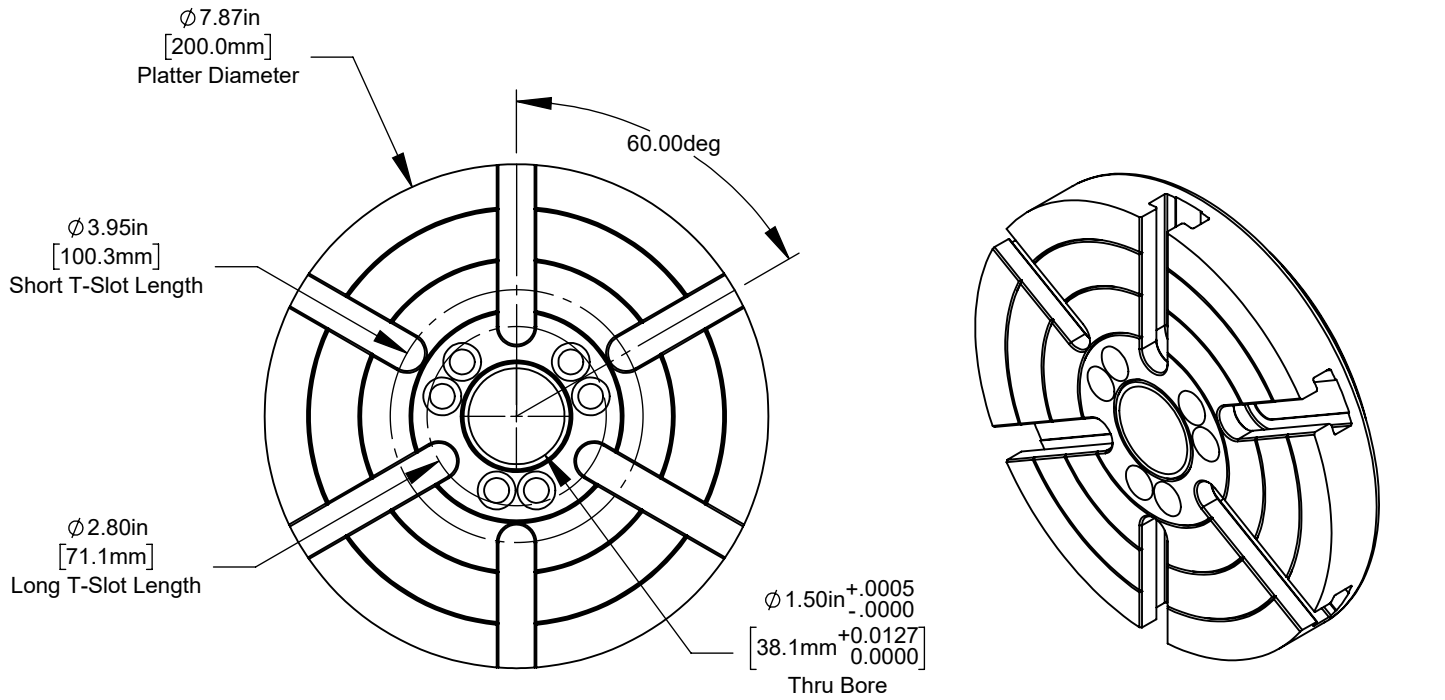
.53in  
[13.5mm]  
Tie-Down Slots

Bottom View



All dimensions based on stackup of sheetmetal, subject to variation of 1/2" ( 13 mm)

\*Due to continual product improvements, machine dimensions are subject to change without notice.



DETAIL A  
SCALE 2 : 3

\*Due to continual product improvements, machine dimensions are subject to change without notice.