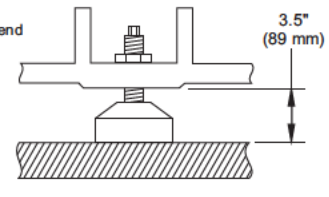
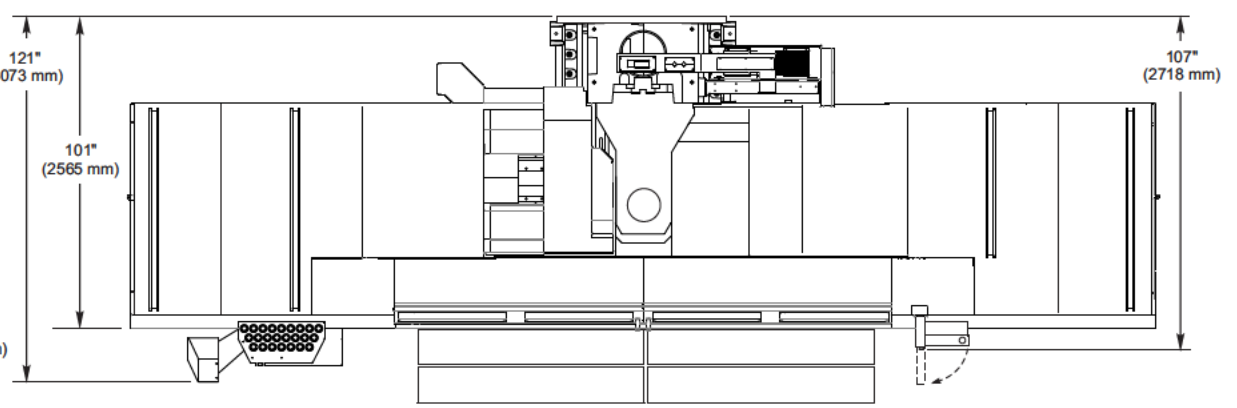


Note:  
Foundation must extend at least 1 Ft. (305 mm) from bored holes.  
Machines with outriggers (VF-10,12) must have the foundation extend at least 1 ft. (305 mm) from the outrigger leveling pads.

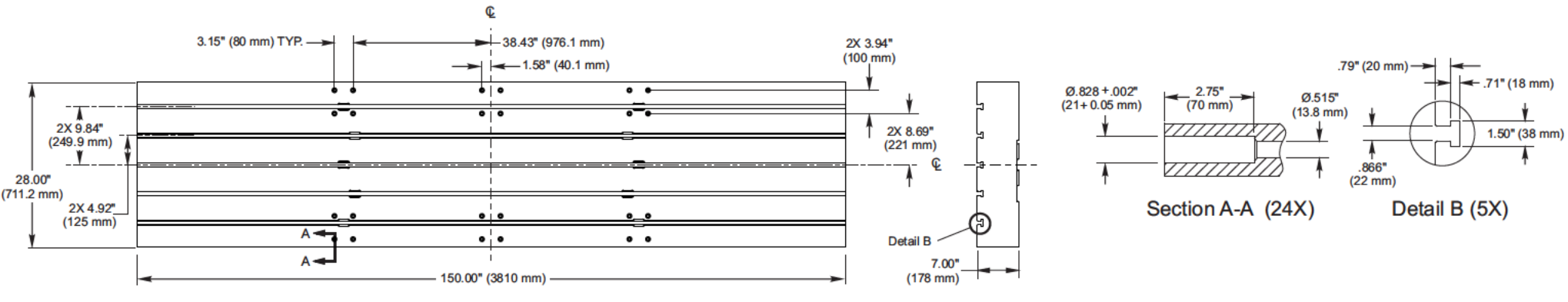
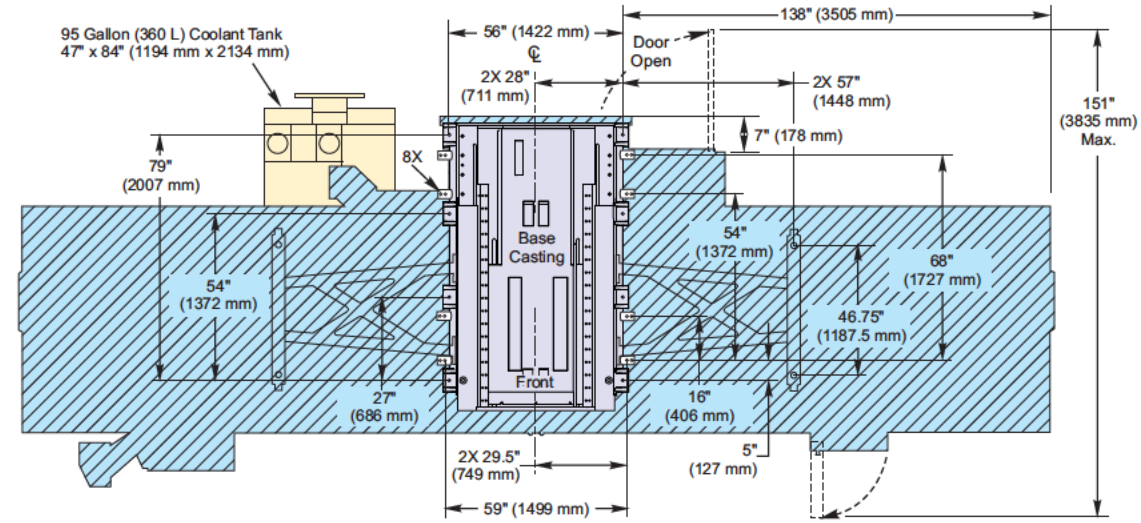
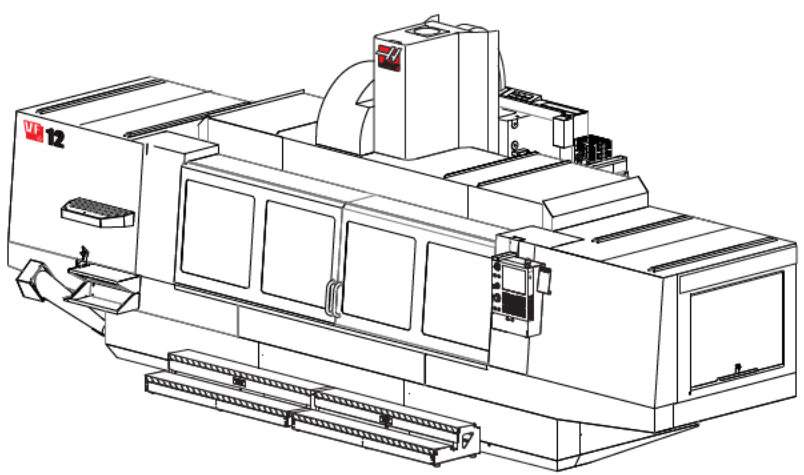
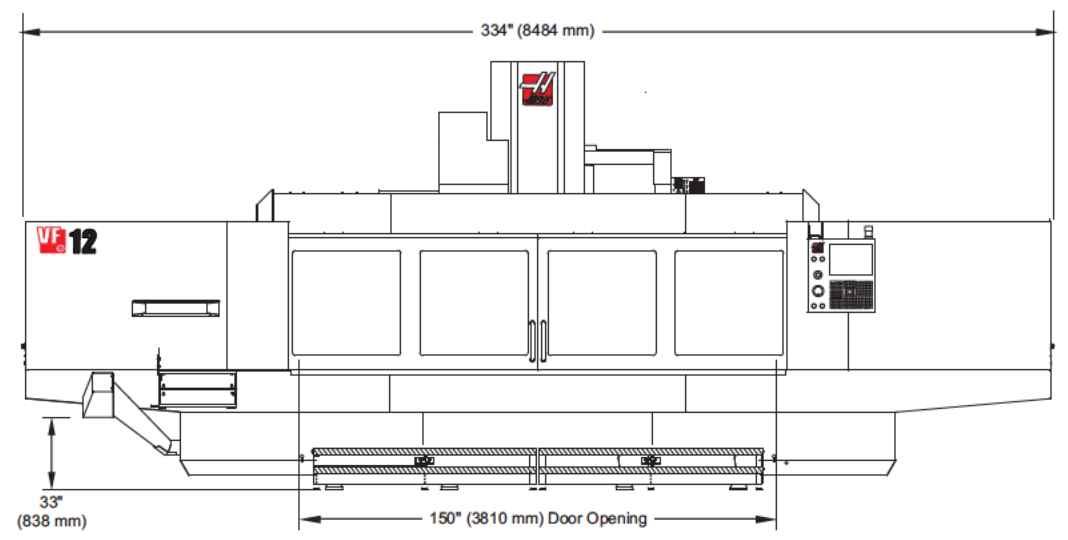
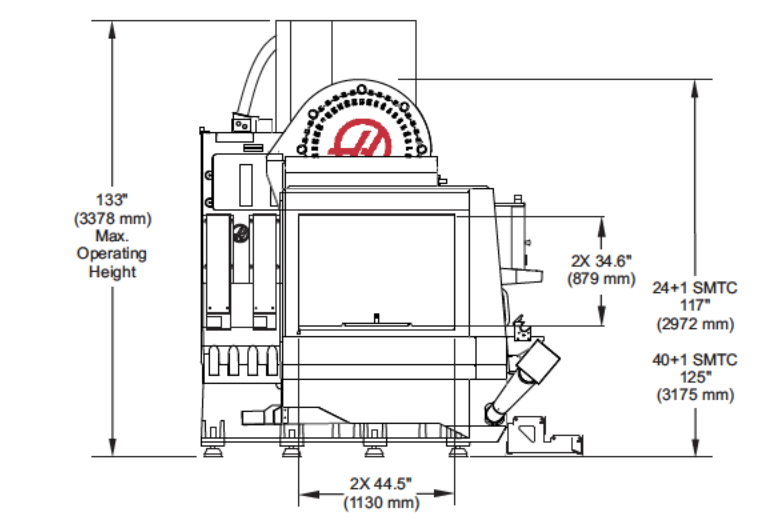
VF-12 Anchor Pattern



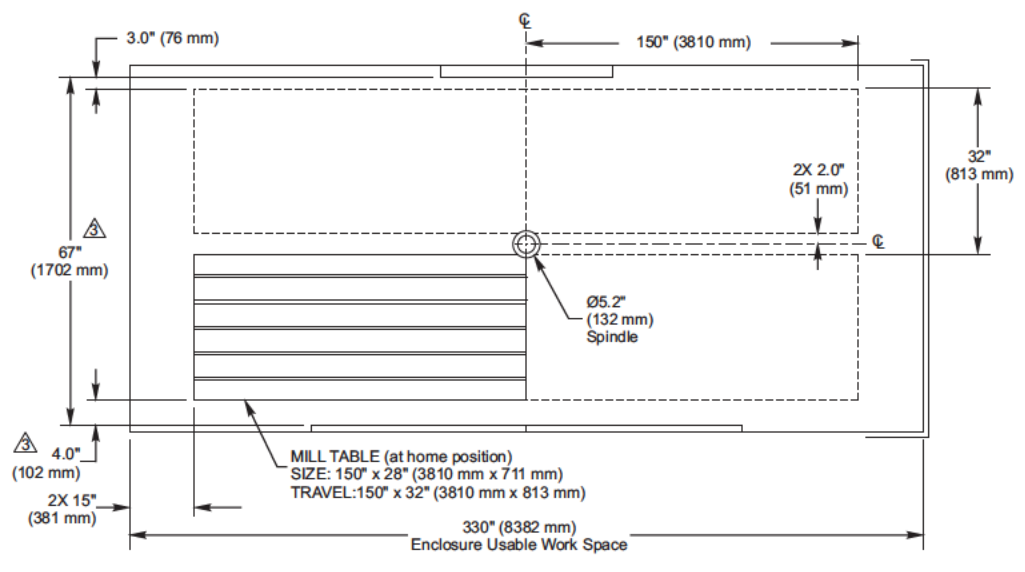
Leveling Pad Pin Dimension  
Reference ES0039  
Machine Clearance Heights



2x Two Step Operator Platform included  
Dimensions of each platform:  
Length: 72.5" (1842 mm)  
Width: 23.5" (570 mm)  
Height: 12.5" (318 mm)



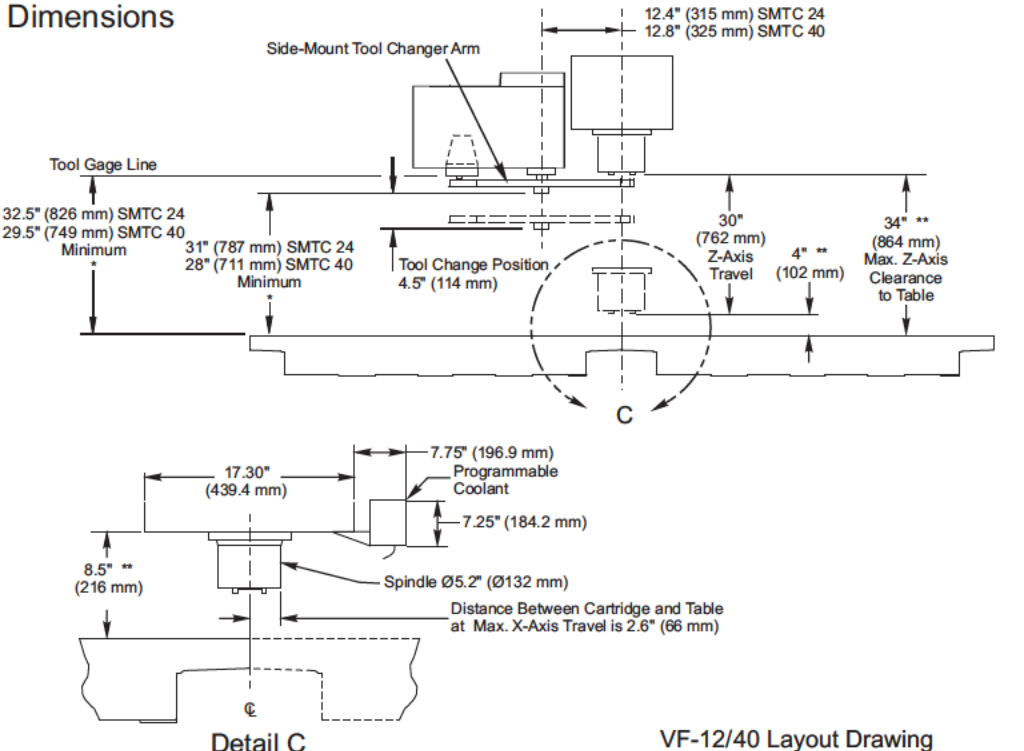
VF-12 Table Dimensions



Top View

VF-12/40 Enclosure Usable Work Space

\*Due to continual product improvements, machine dimensions are subject to change without notice.



Detail C  
Front View

VF-12/40 Layout Drawing  
Revision E  
Oct, 2015

NOTES:  
1. TABLE POSITION(S) AT MAX X & Y TRAVELS.  
2. MEASUREMENTS ARE FROM THE EDGE OF MILL TABLE TO NEAREST OBSTRUCTION (ie. ENCLOSURE, WAY COVER, DOORS, ETC.).  
3. DIMENSIONS ARE REDUCED AS HEIGHT ABOVE TABLE INCREASES; ie. FRONT OF ENCLOSURE IS SLOPED 5° INWARD FROM BOTTOM TO TOP. DIMENSIONS SHOWN ARE AT TABLE TOP HEIGHT.