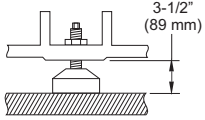
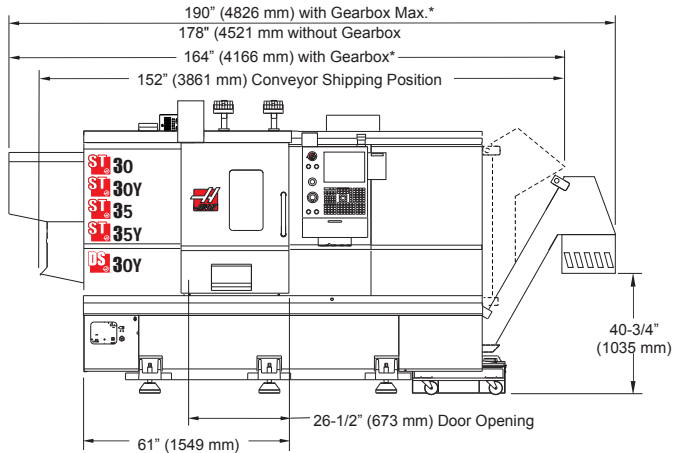
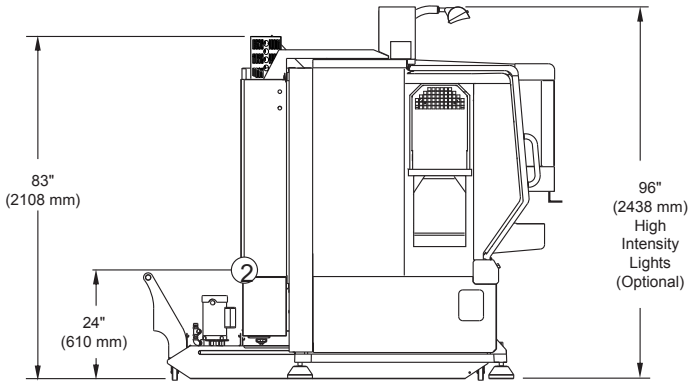
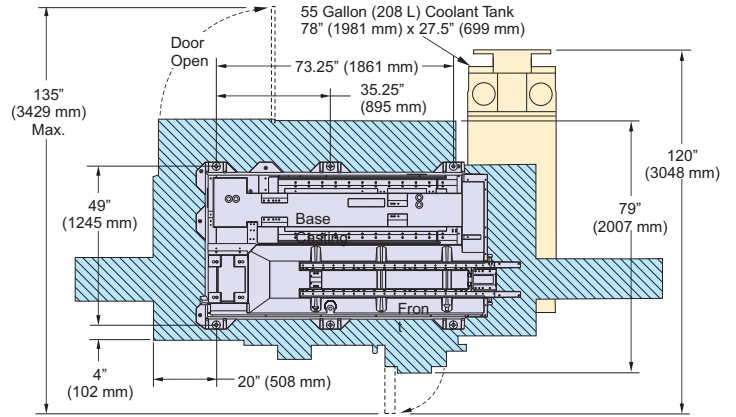
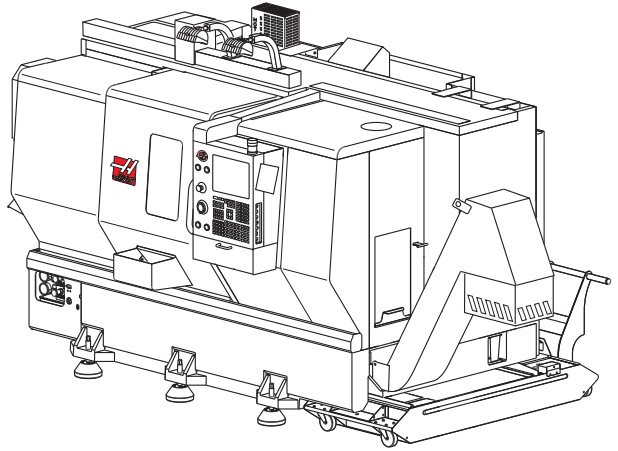
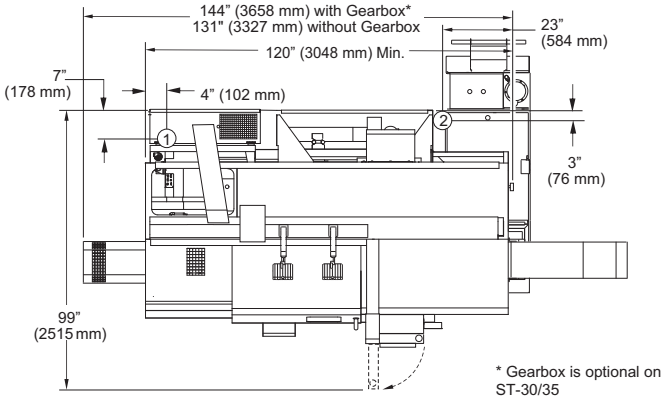


- ① Electrical Connection
- ② Air Connection

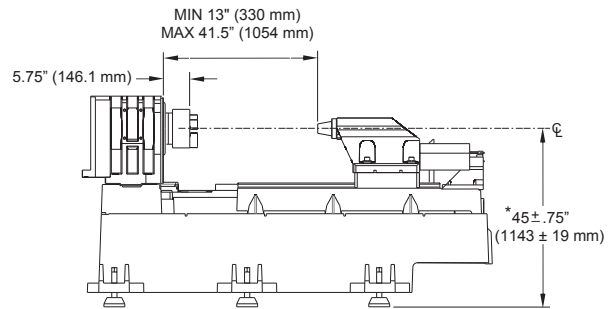


6X Leveling Pad Pin Dimension

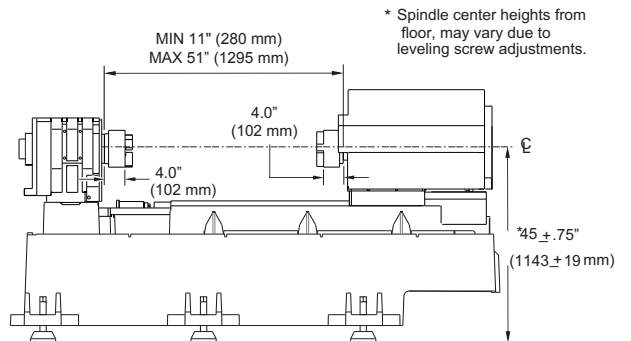


Minimum distance required to remove conveyor from lathe 134 inches (3404 mm).

Minimum distance required to remove conveyor from lathe 88 inches (2235 mm) when conveyor is folded at 90 degrees and folded down as it is pulled out.



Tailstock Travel #4 Morse Taper

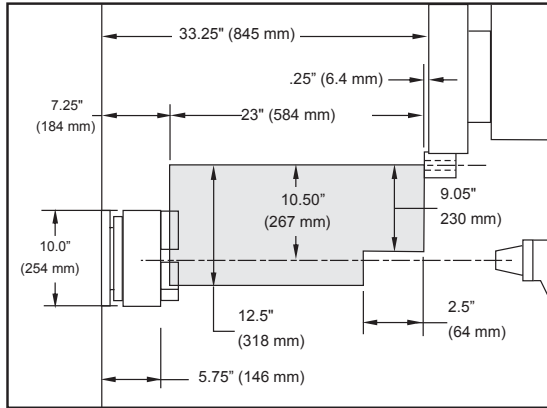
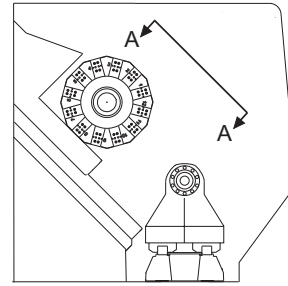


\* Spindle center heights from floor, may vary due to leveling screw adjustments.

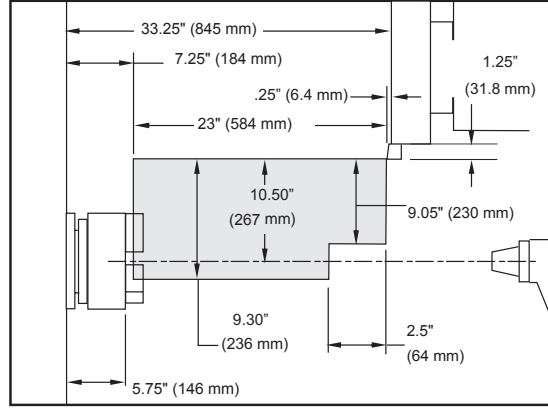
Secondary Spindle Travel

\*Due to continual product improvements, machine dimensions are subject to change without notice.

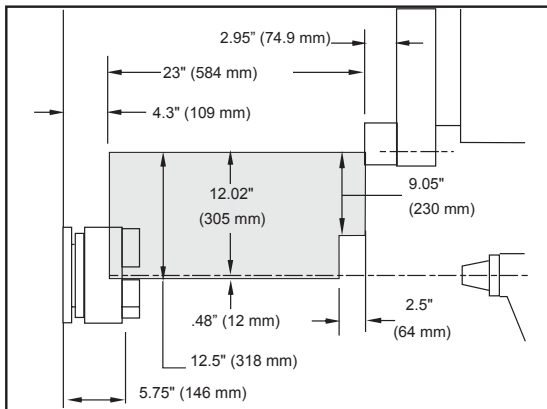
# BOT/VDI Turrets



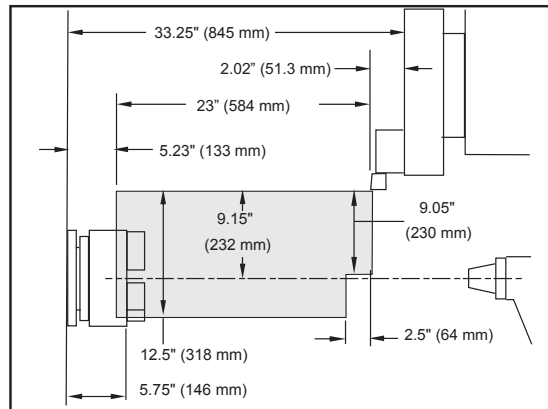
BOT ID



BOT OD

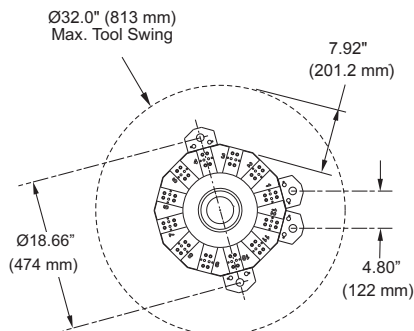


VDI ID

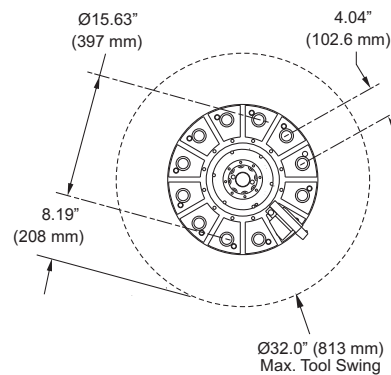


VDI OD

## View A-A Cut Envelope Diagrams



BOT Turret

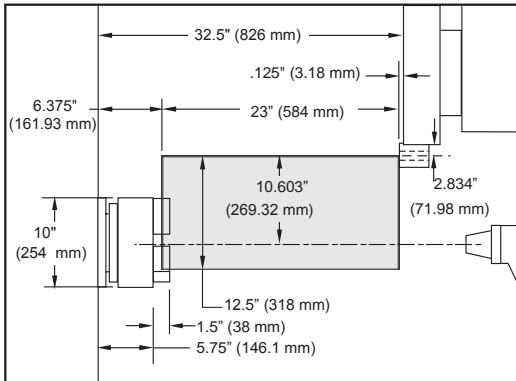
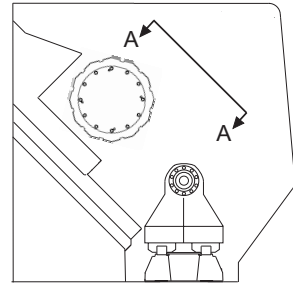


VDI Turret

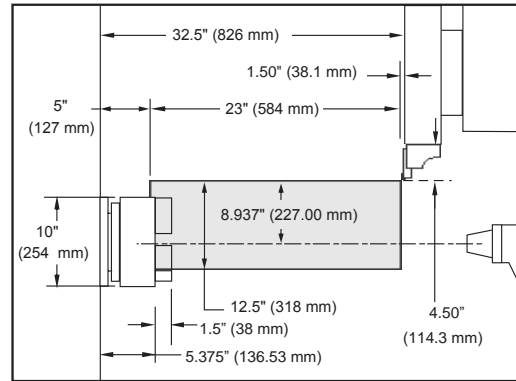
## Tool Swing Interference

\*Due to continual product improvements, machine dimensions are subject to change without notice.

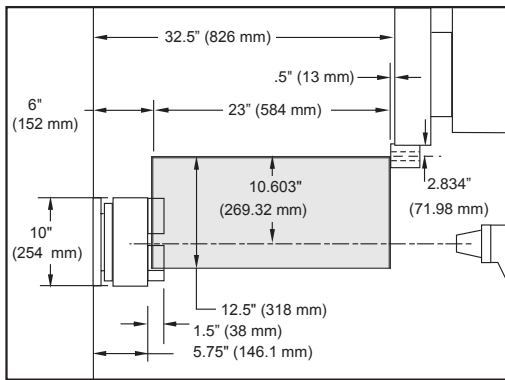
# BMT Turret



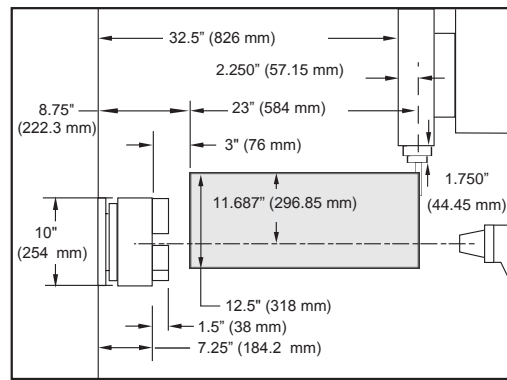
**ID Static Tool**



**OD Static Tool**

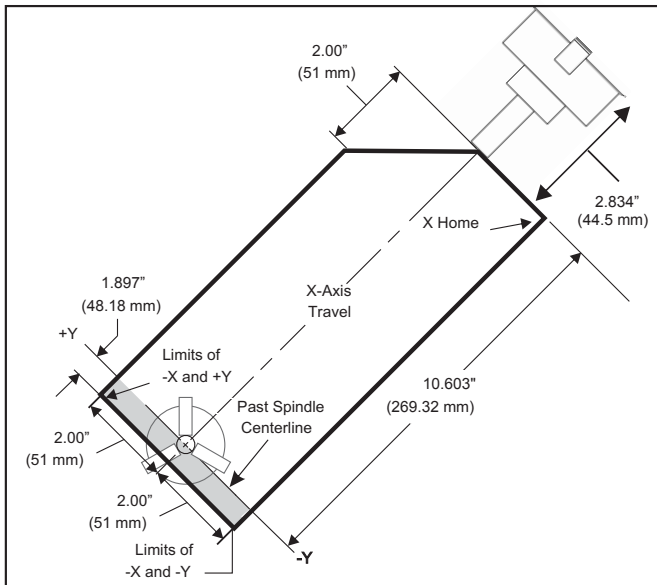


**90 Degree Live Tool**

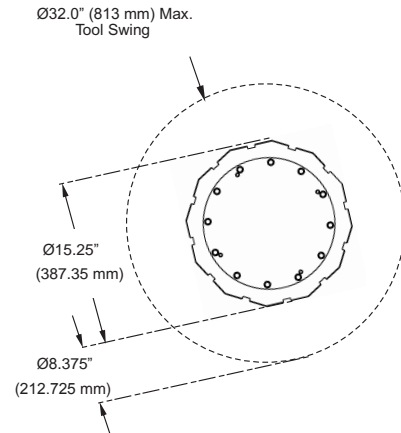


**Straight Live Tool**

## View A-A Cut Envelope Diagrams



**Y-Axis Travel Envelope**



**Tool Swing Interference**

Same Dimensions with 90 Degree Live Tool. The dimensions are subject to change without notice.