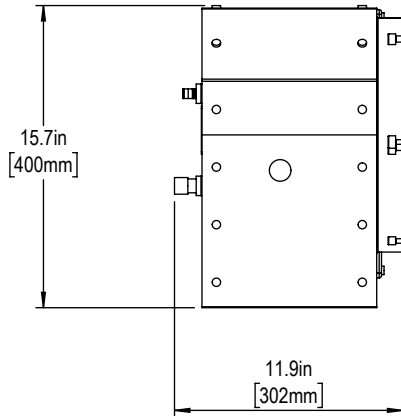
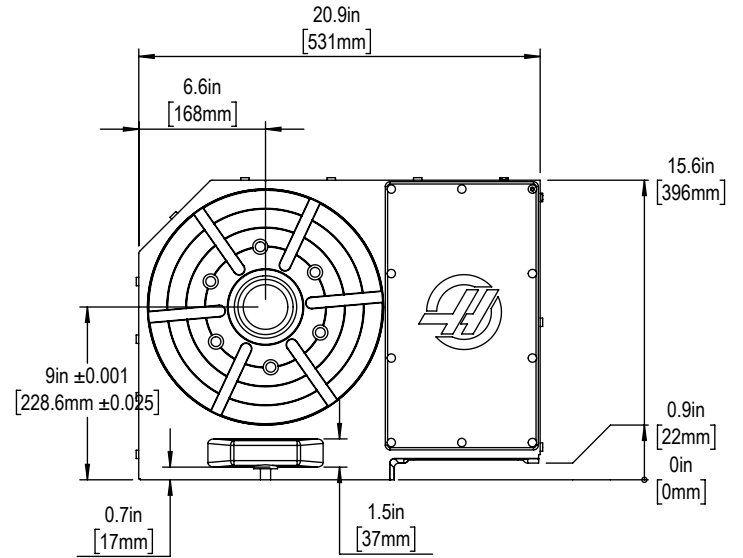


BOTTOM

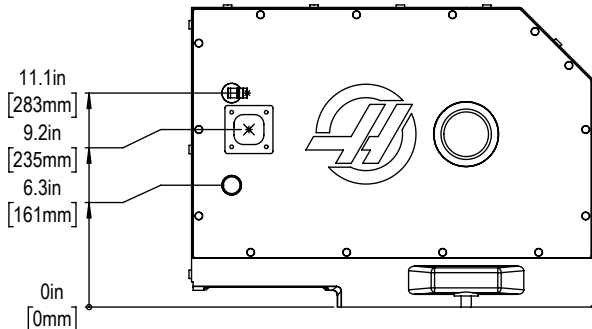


SIDE

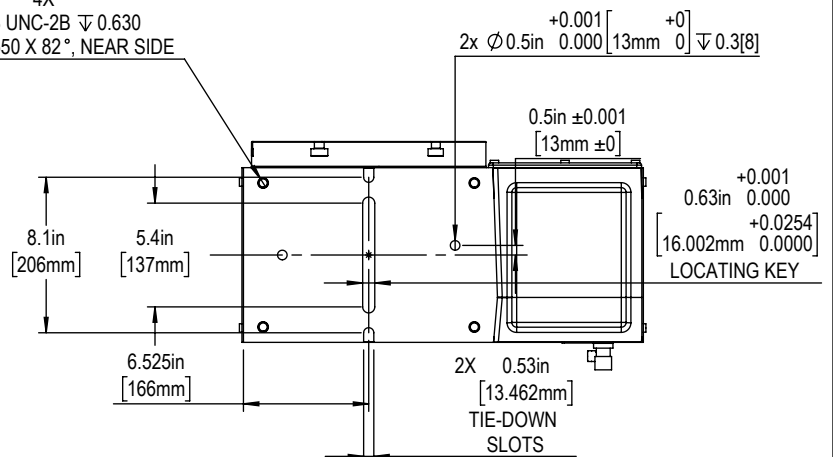


FRONT

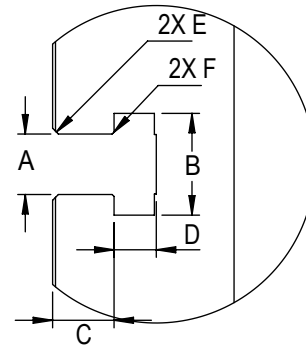
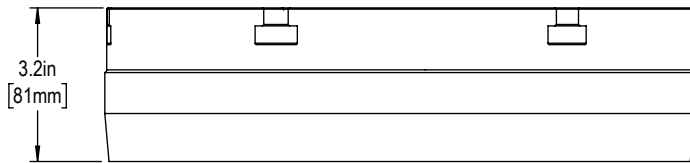
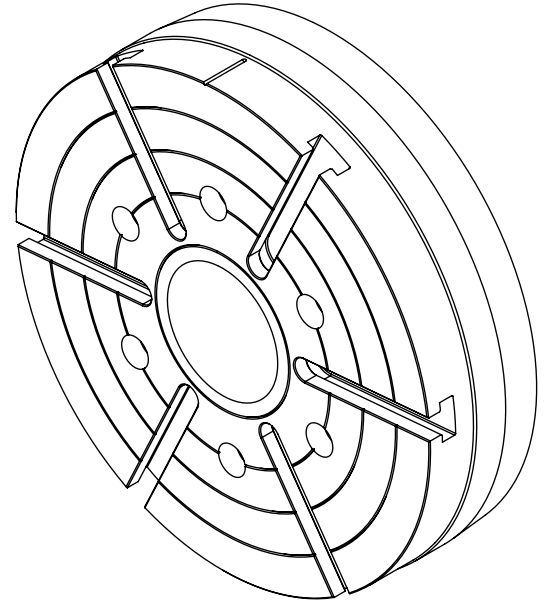
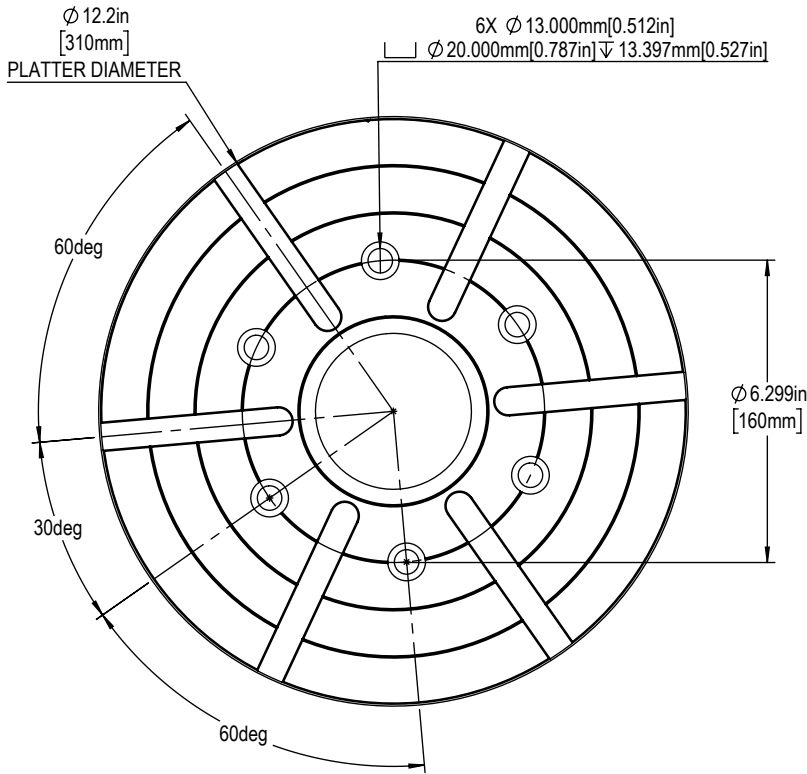
4X
1/2-13 UNC-2B ∇ 0.630
 \surd \varnothing 0.550 X 82°, NEAR SIDE



BACK



BOTTOM



A	B	C	D	E	F
14.275mm [0.562in]	24.638mm [0.970in]	9.652mm [0.380in]	9.906mm 9.144mm 0.390in [0.360in]	0.762mm [0.030in] X45°	N/A