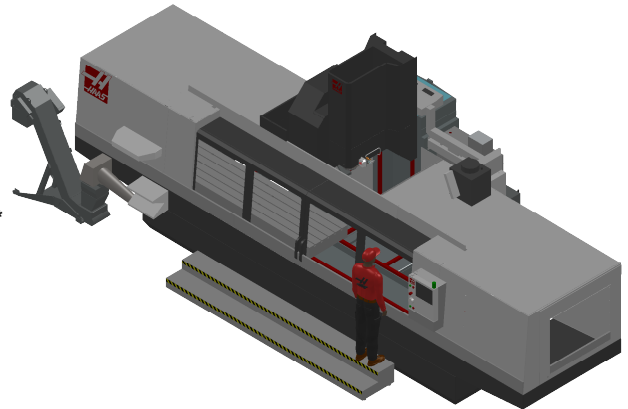
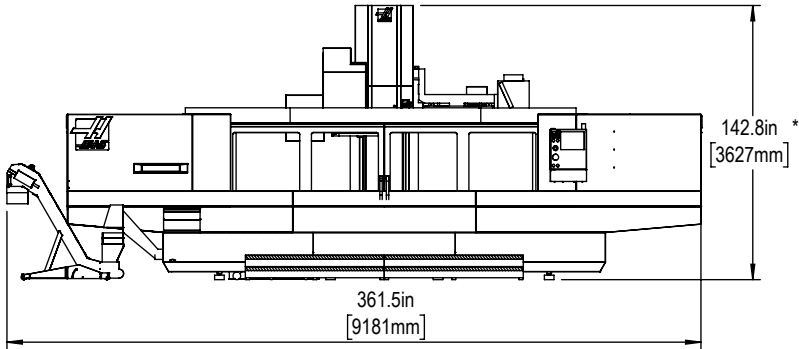
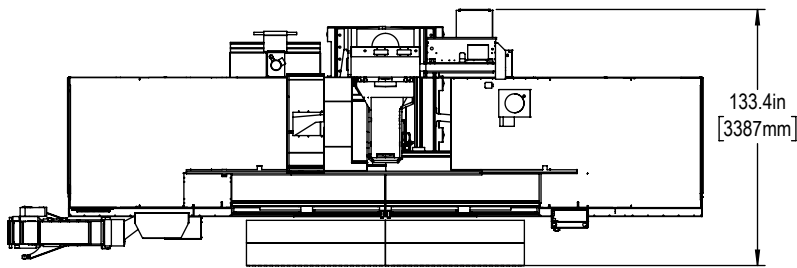




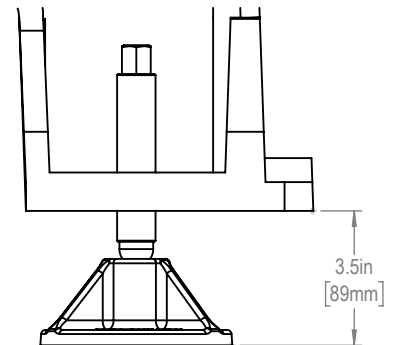
Installed Dimensions



NOTE: 8" EXTENDED Z-AXIS CLEARANCE OPTION  
ADDS 8" (203mm) TO DIMENSIONS WITH \*

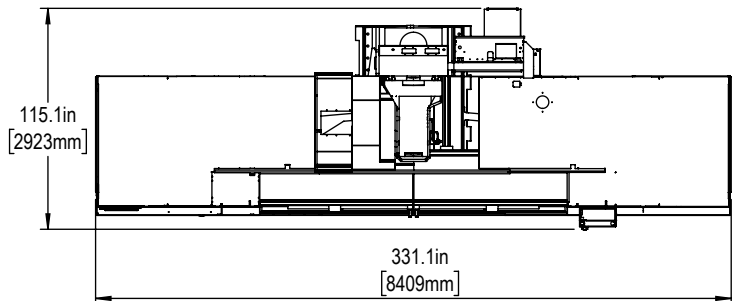
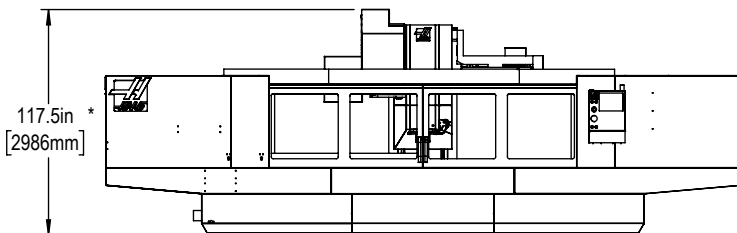


Leveling Pad Height

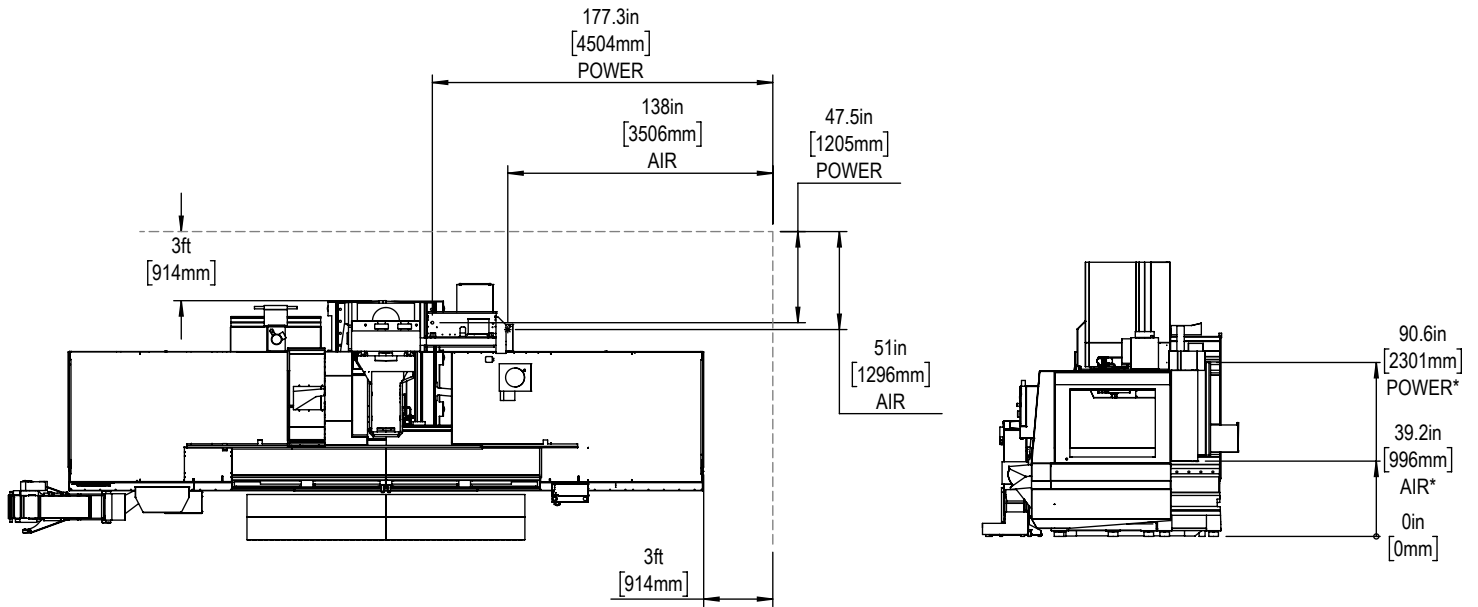


\*All Height Dimensions Based on Suggested Leveling Pad Height

Shipping Dimensions



Air & Power

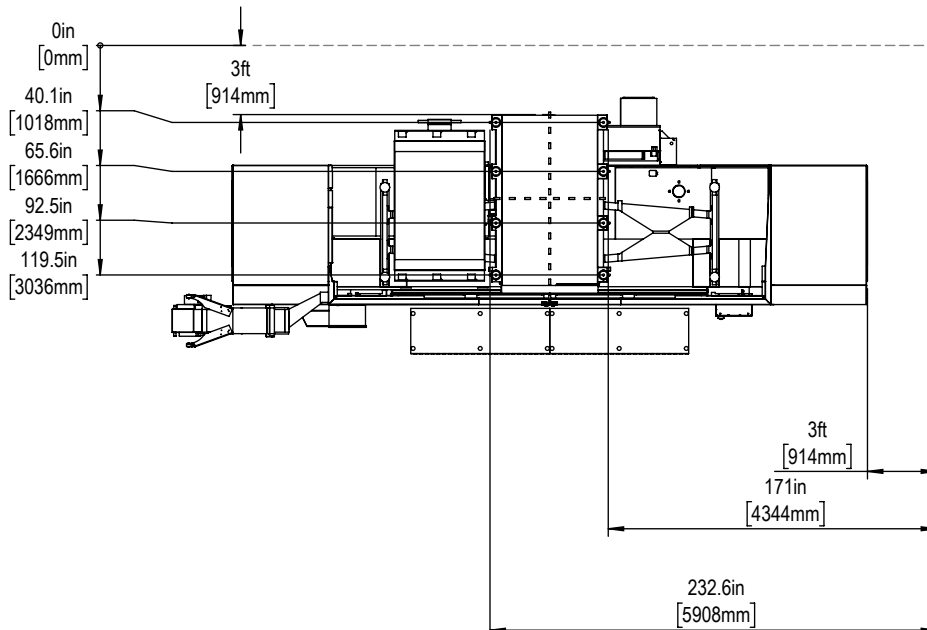


Maintain 3 feet [915mm] clearance to the nearest obstruction around all sides of machine perimeter for maintenance access

Note:  
Machine must be placed on one continous concrete slab. Slab should extend 12in [305mm] beyond anchor holes in all directions

Anchor Pattern

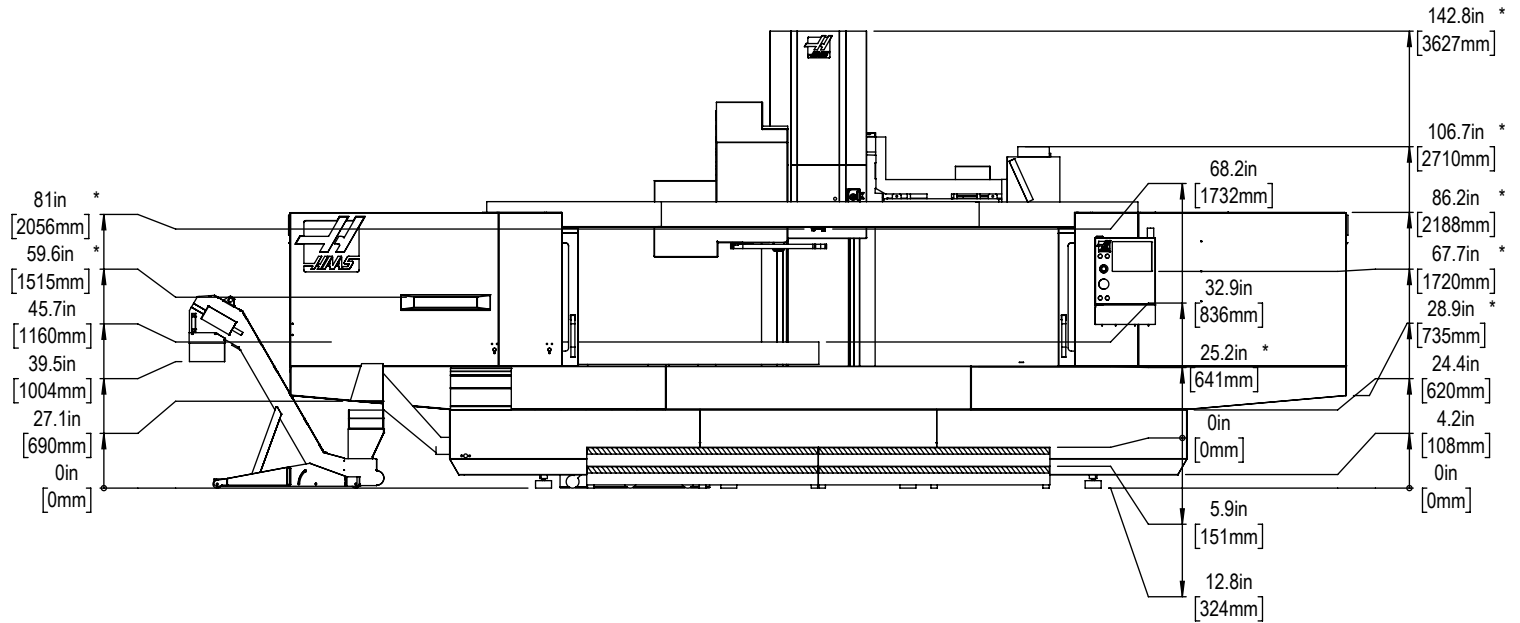
Anchor Hole Detail  
 Ø 1.0in[25mm]  
 ∇ 2.0in[51mm]-  
 ∇ 2.5in[64mm]



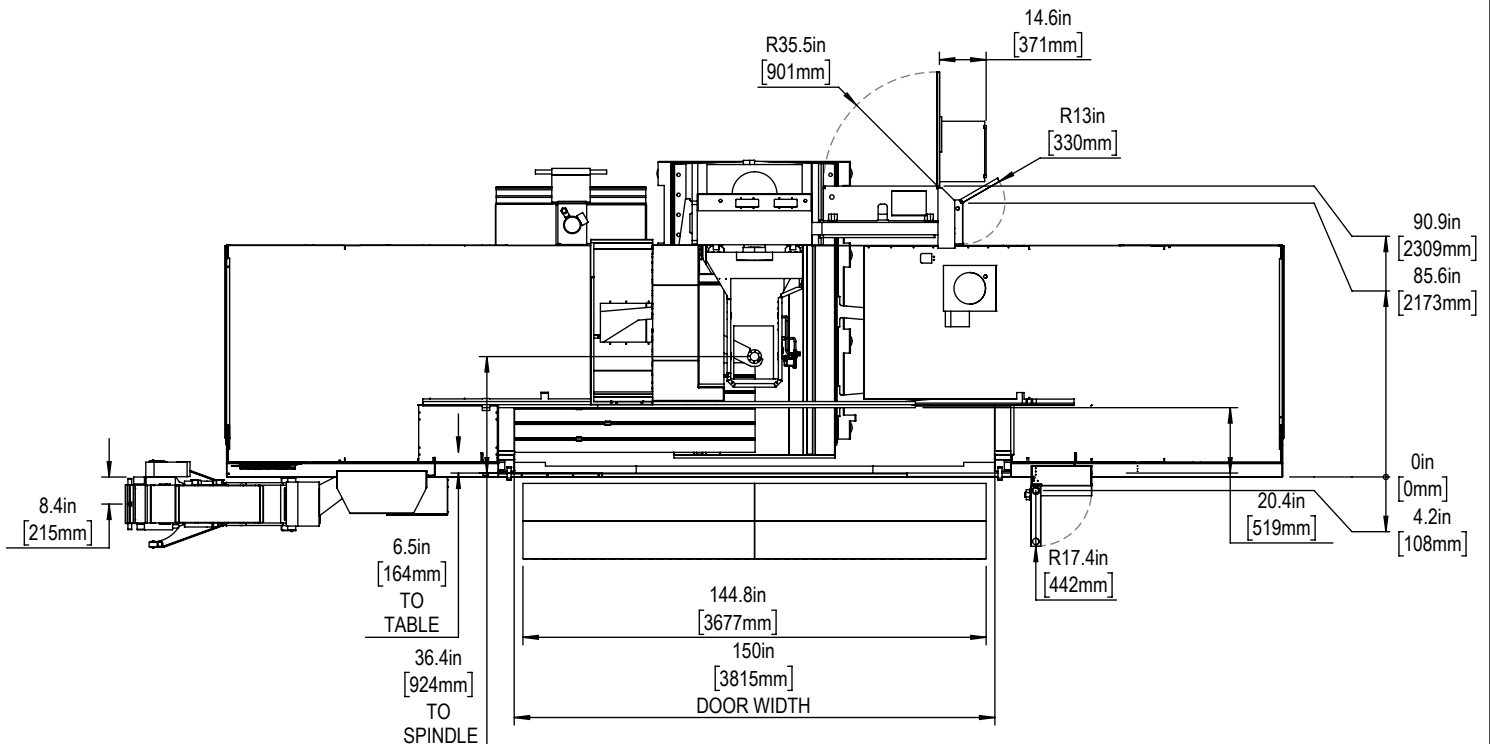
For precise locations and specifications please use template in Anchoring Kit found at Haascnc.com



Height Breakdown

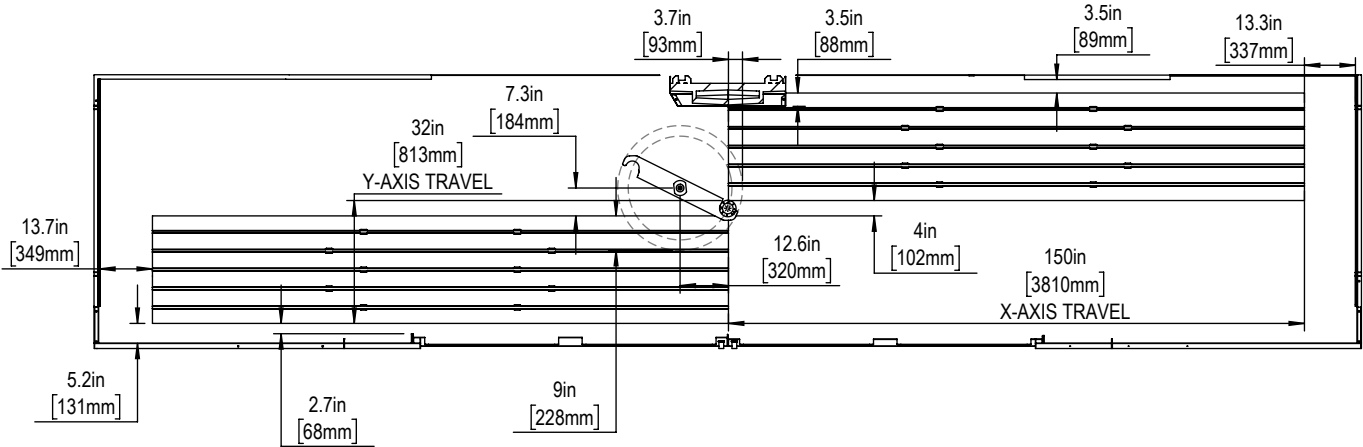


Width Breakdown

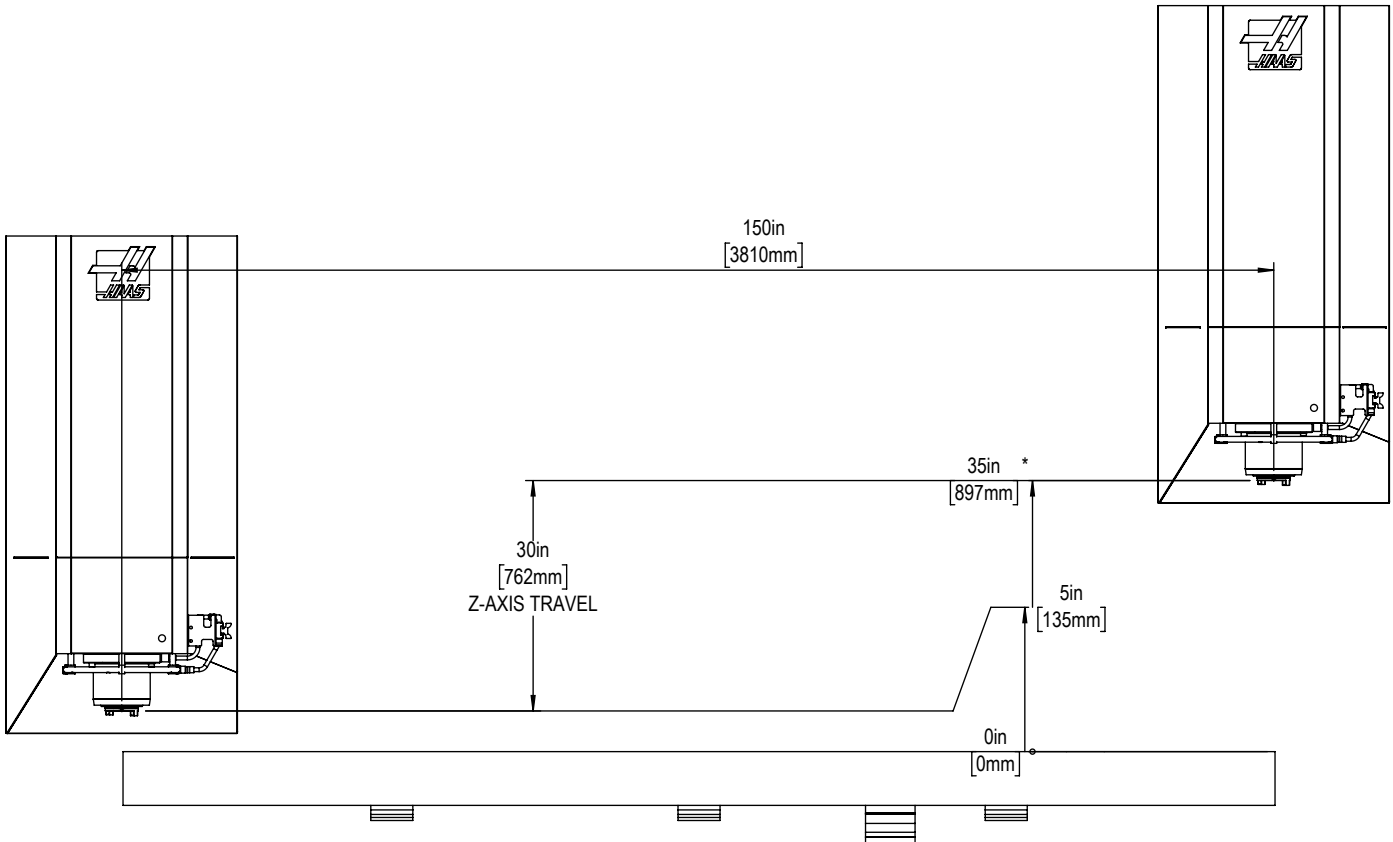




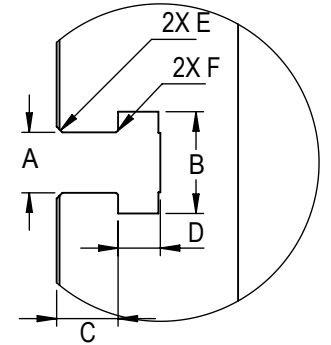
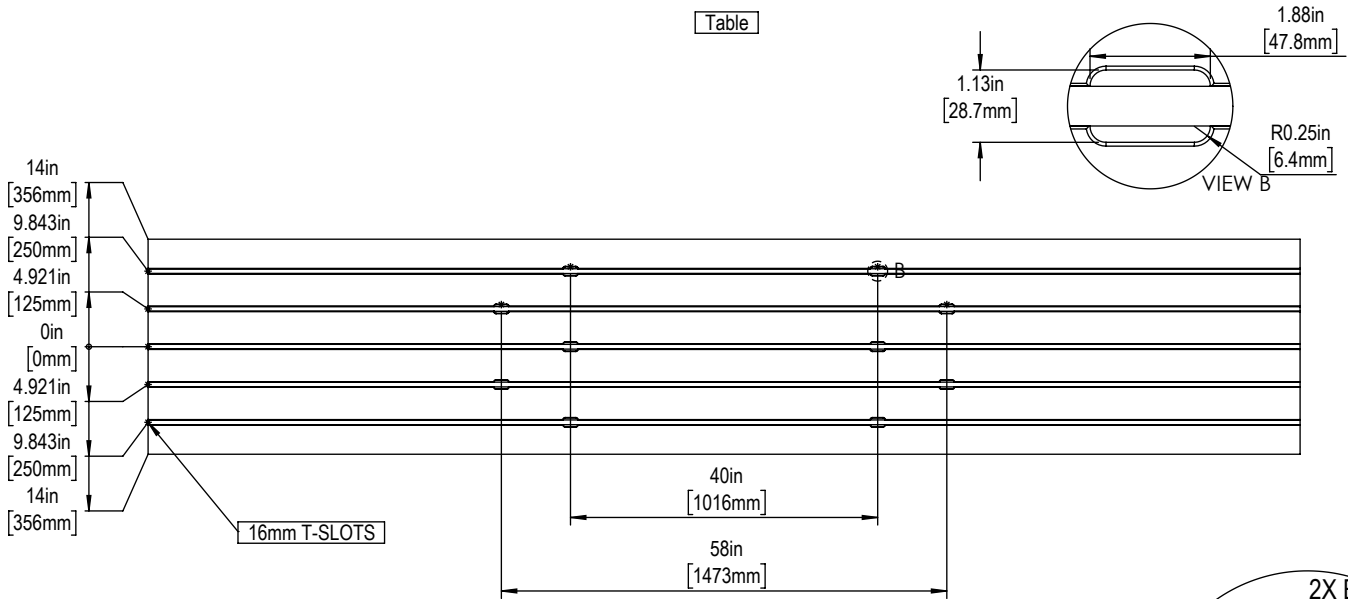
X&Y-Axis Travel and Clearance



Z-AXIS TRAVEL & CLEARANCE



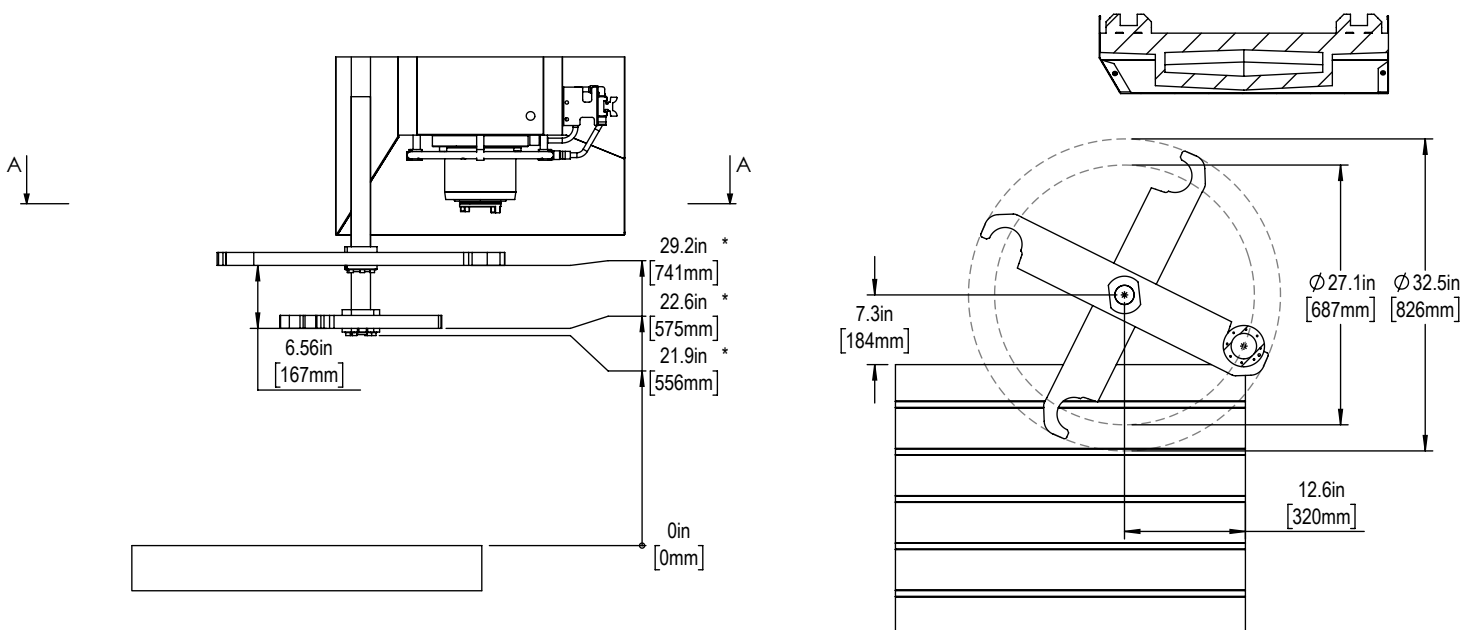
Table



T-Slot Dimensions in inches

Slot Size	A	B	C	D	E	F
12mm	0.438 <sup>+0.002</sup> / <sub>-0.000</sub>	0.76 ± 0.02	0.310 ± 0.010	0.318 ± 0.010	0.03x45°	0.020x45°
16mm	0.628 ± 0.002	1.06 ± 0.02	0.640 ± 0.010	0.420 ± 0.010	0.06x45°	0.020x45°

Tool Changer



SECTION A-A