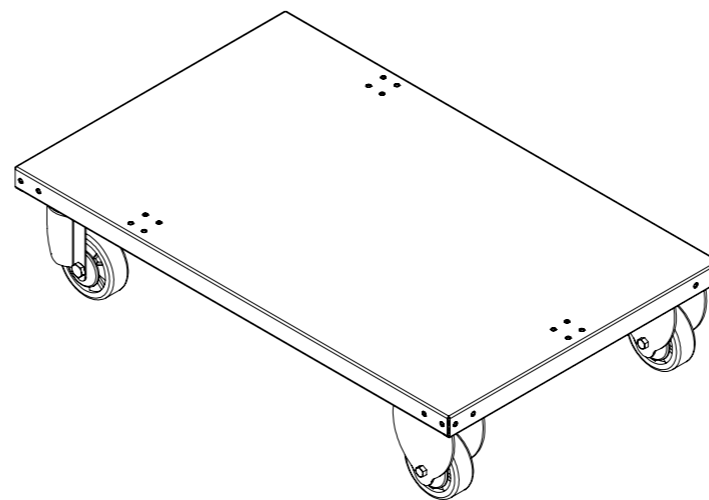
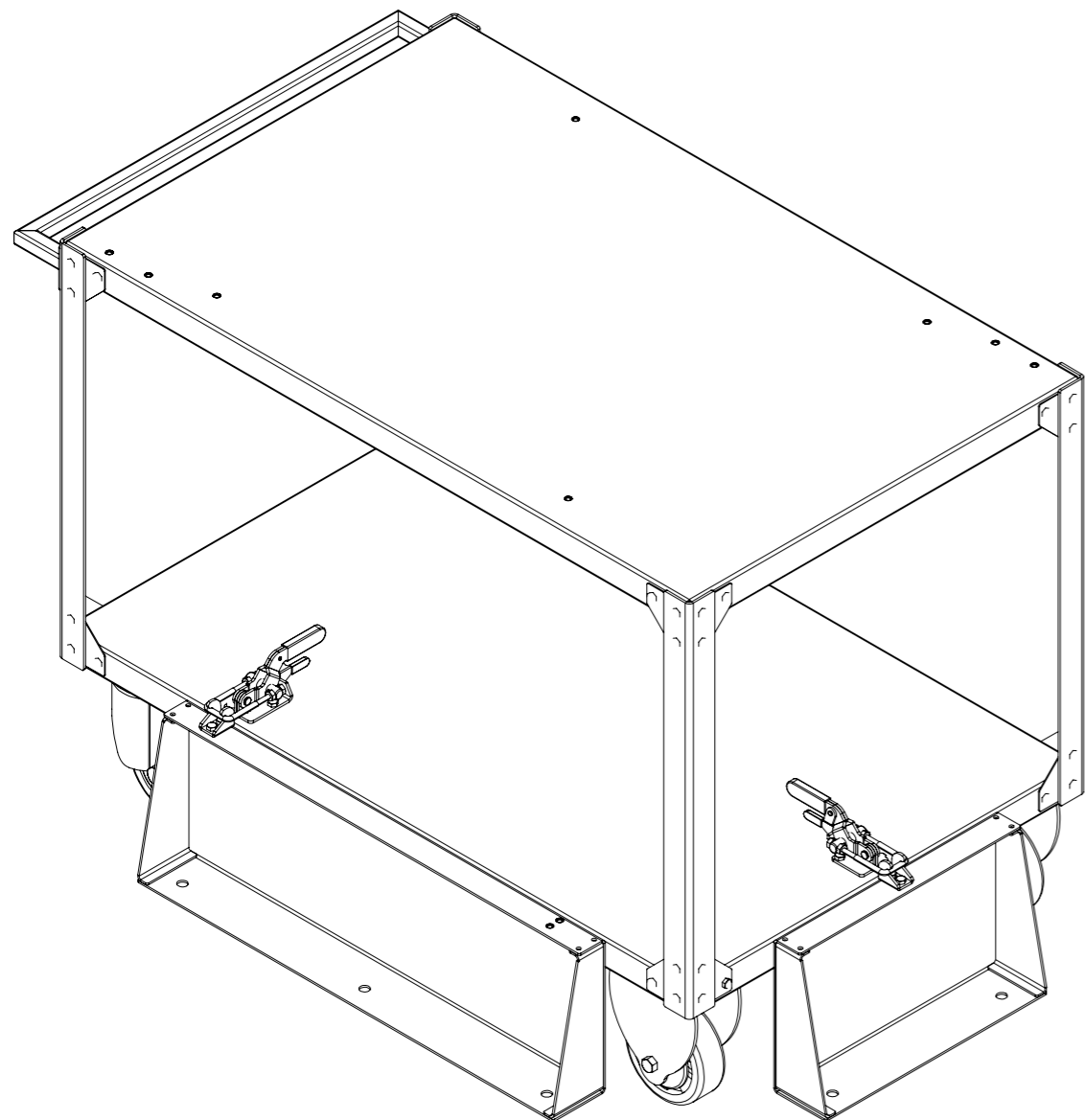
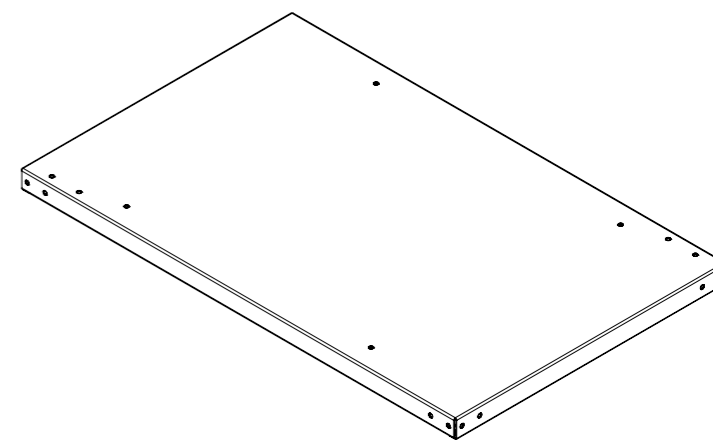


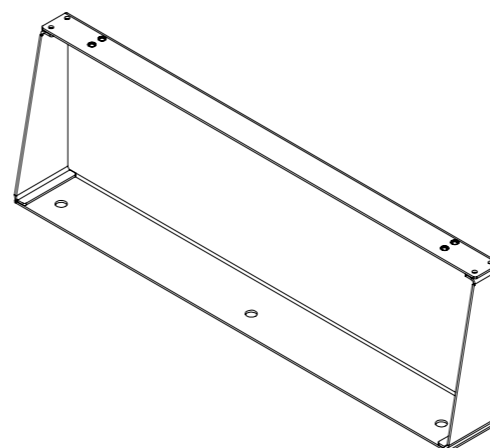
INSTALLATION INSTRUCTION FOR CART TABLE 2000 LBS



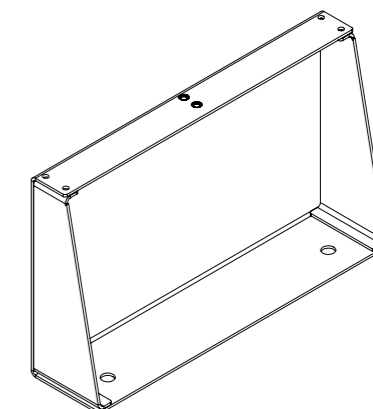
BOTTOM SHELF ASSLY
(01 NO)



TOP SHELF ASSLY
(01 NO)



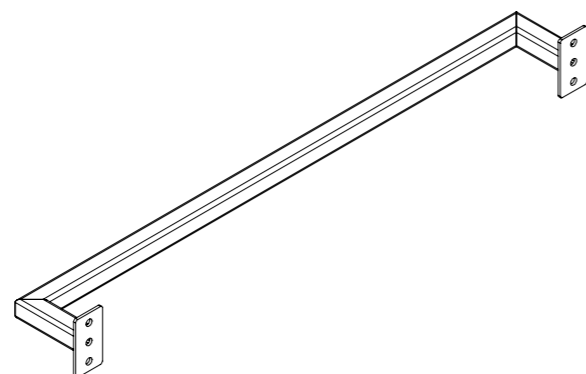
SIDE TRAY ASSLY
(01 NO)



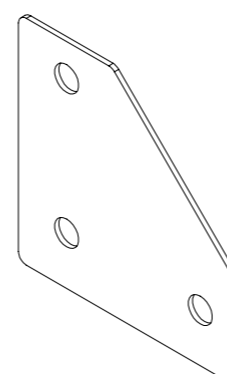
FRONT TRAY ASSLY
(01 NO)



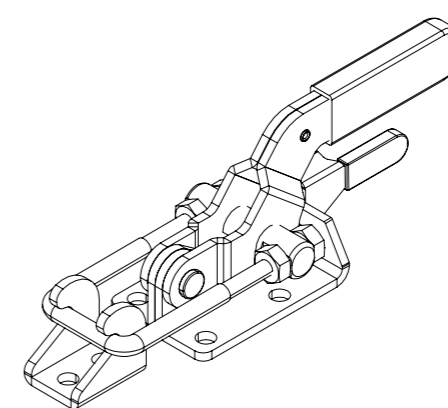
UPRIGHT
(04 NOS)



HANDLE ASSLY
(01 NO)



CORNER PLATE
(16 NOS)



CLAMP TOGGLE MODEL NO. - PAN - 331
TRIG (8.80 KN)(MS) (02 NOS)

METRIC HARDWARE:
HEX BOLT M08 X 20 - 60 NOS
HEX FLANGE NUT M08 - 16 NOS

STANDARD HARDWARE:
Caster Wheels hardware (per wheel):
FLATWASHERS (X1)
SPLIT LOCK WASHERS (X1)
3/8 -16 X 1" HHMS (X1)
Table Frame Hardware (per corner):
FLATWASHERS (X6)
SPLIT LOCK WASHERS (X6)
1/4-20X5/8 HHMS (X4)
1/4-20X7/8 HHMS (X2)
1/4-20 HEX NUT (X2)
Clamp Hardware (per clamp):
1/4-20X.625 HHMS (X6)

CART TABLE 2000 LBS PARTS LIST

8

7

6

5

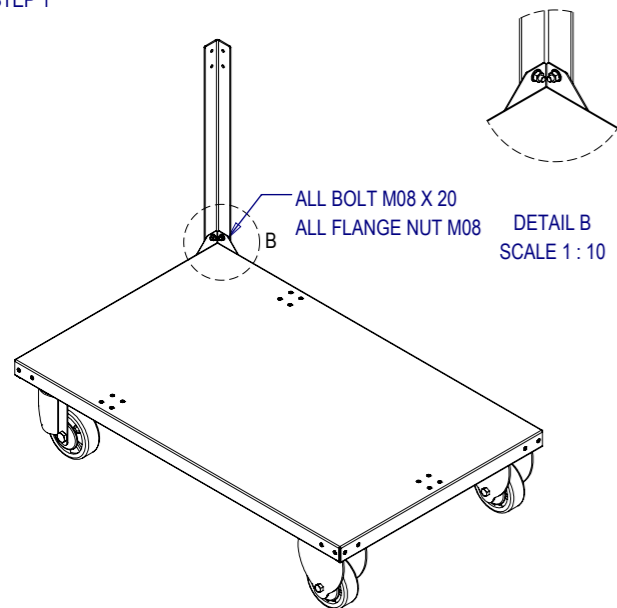
4

3

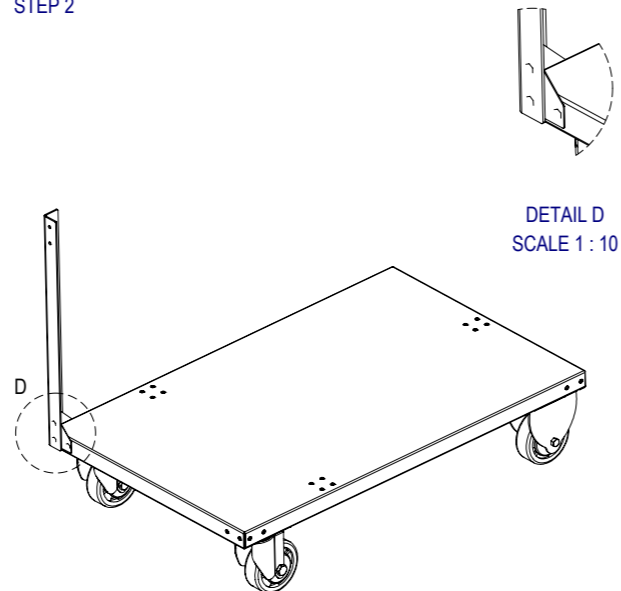
2

1

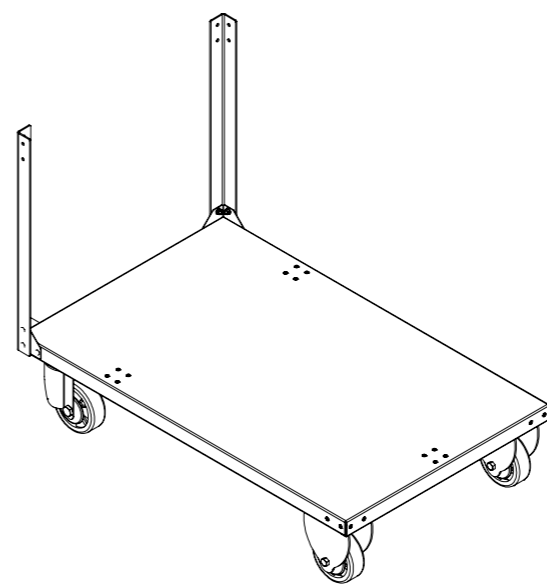
STEP 1



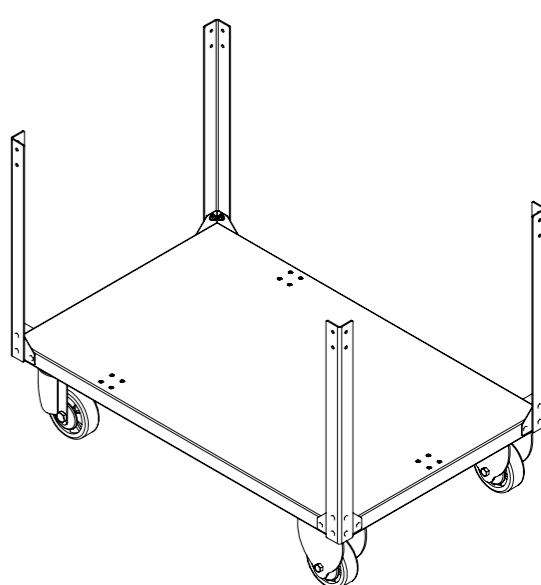
STEP 2



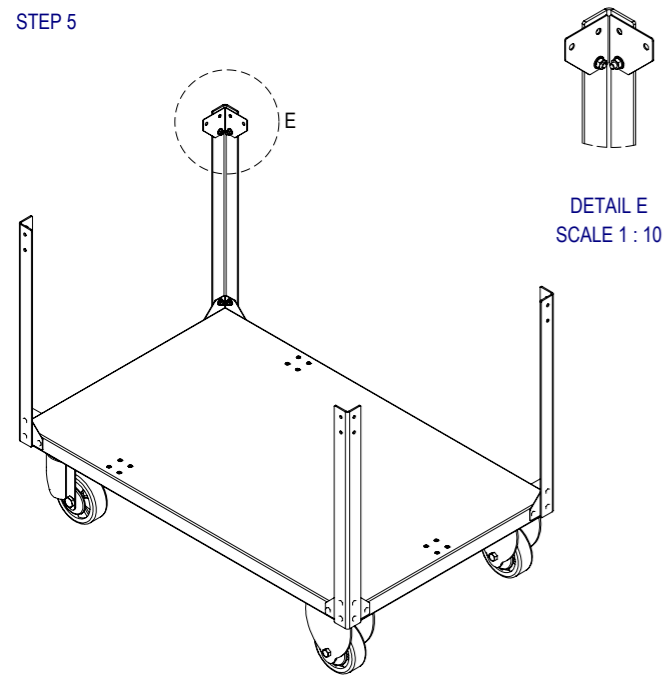
STEP 3



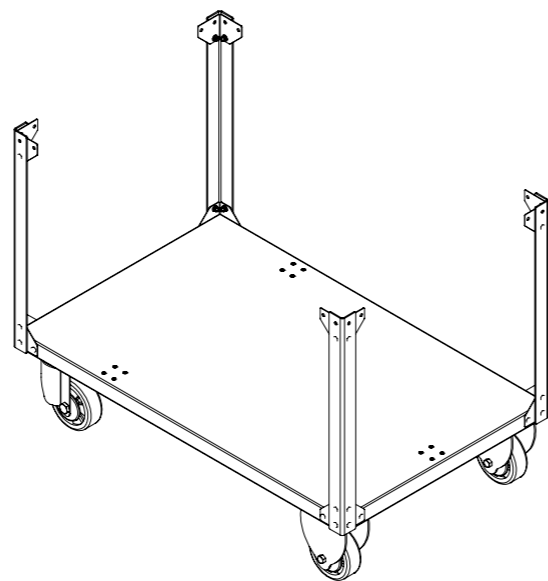
STEP 4



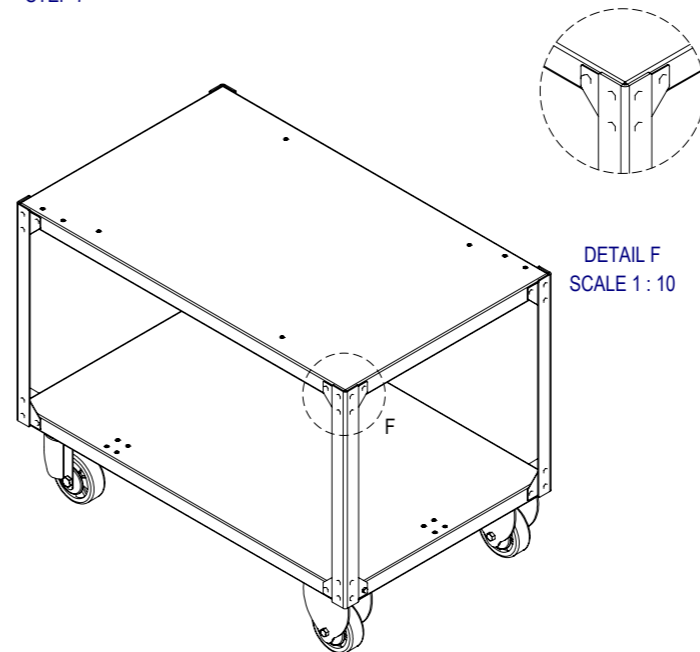
STEP 5



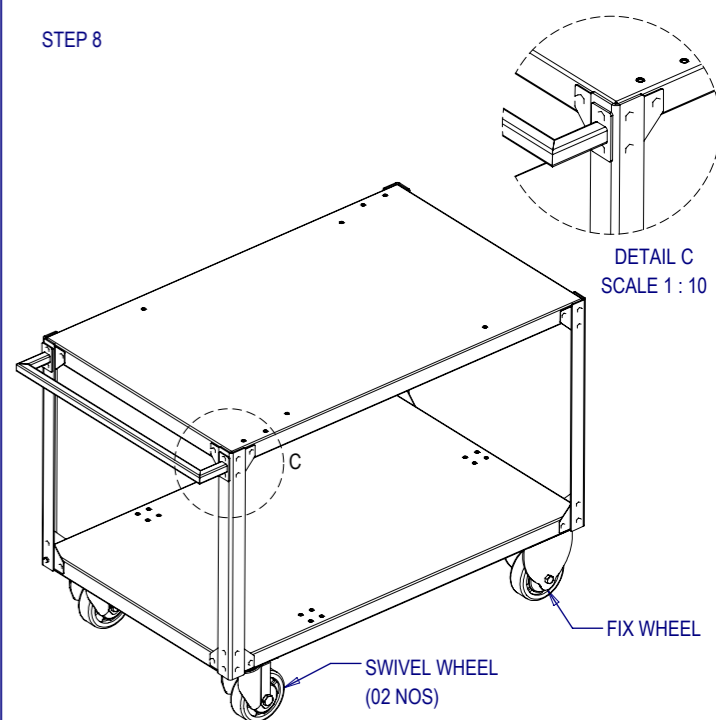
STEP 6



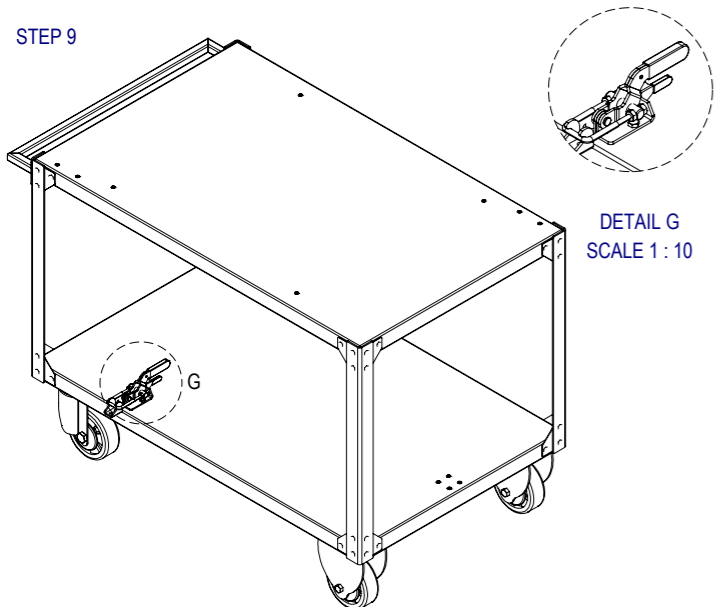
STEP 7



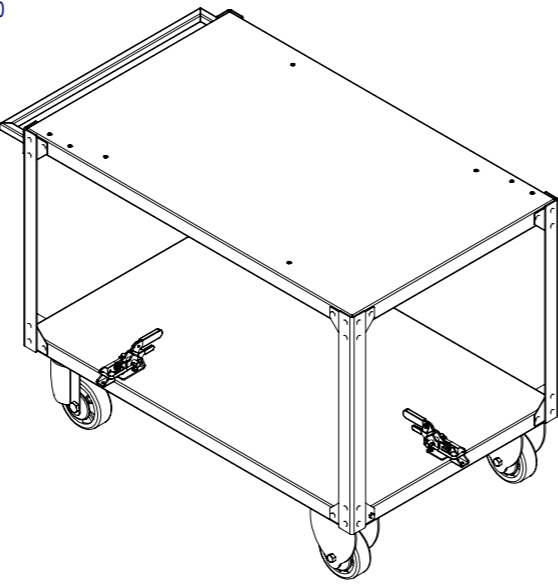
STEP 8



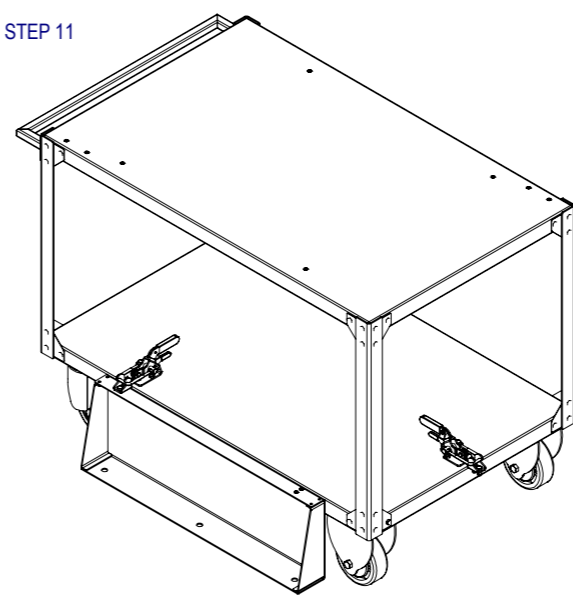
STEP 9



STEP 10



STEP 11



STEP 12

